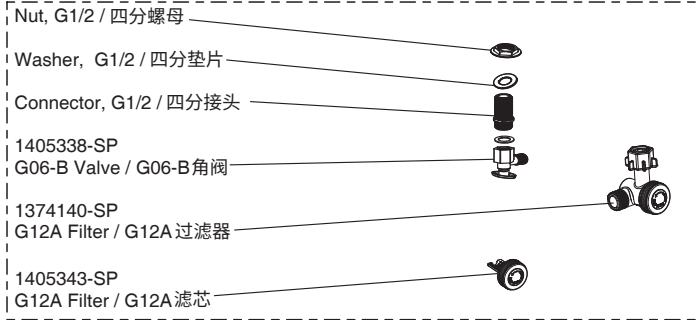
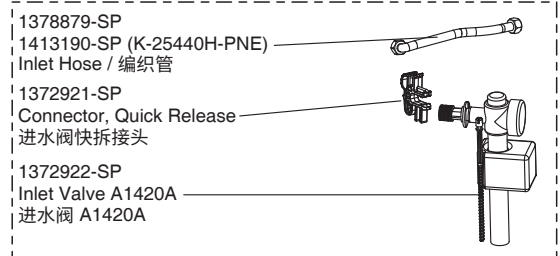


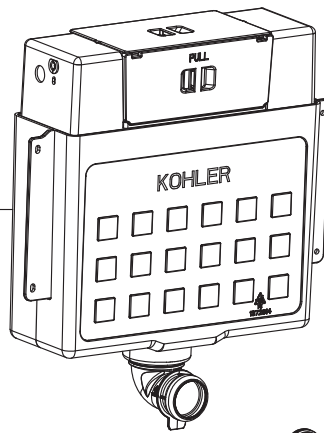
Inlet Mounting Kit / 进水安装组件



1372920-SP Fill Valve Assy./ 进水阀组件



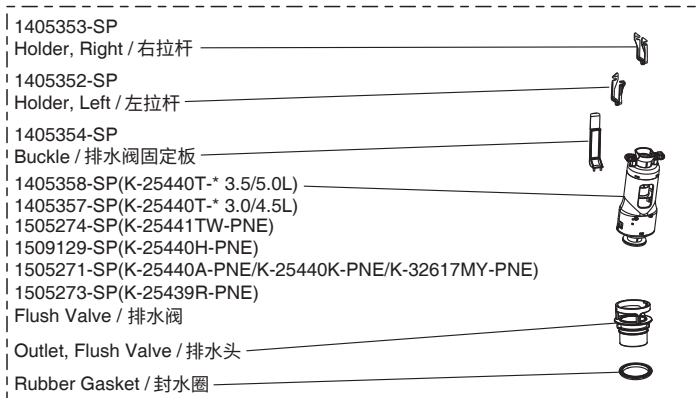
Tank Assy. / 水箱组件



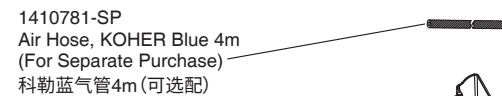
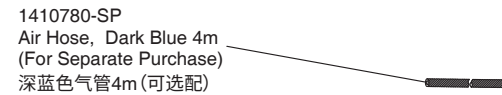
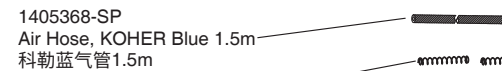
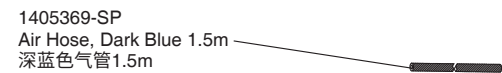
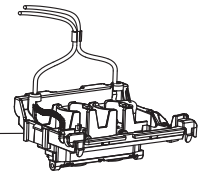
**1372918-SP
Outlet Pipe Assy. / 排水管组件**



Flush Valve Assy. / 排水系统组件

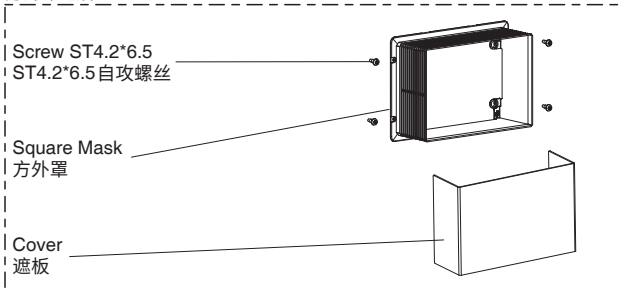


**1372925-SP
Lever Assy.
杠杆组件**



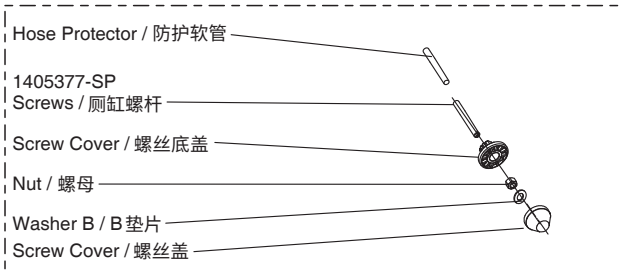
1360118-SP

Square Mask Assy.
方外罩组件



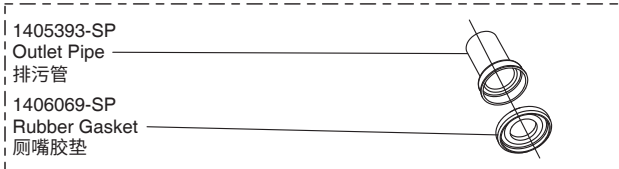
1360138-SP

Assembly Kit for Wall-Hung Bowl/
挂墙式坐便器安装配件



1402748-SP

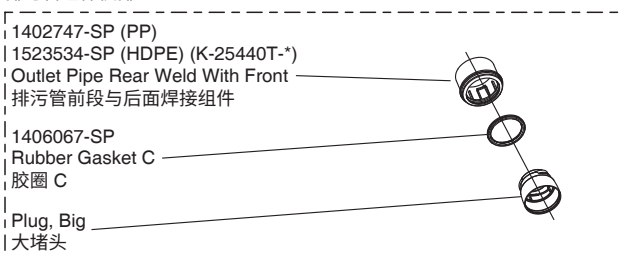
Outlet Pipe Assy. For VC
陶瓷排污直管组件



1402746-SP (PP)

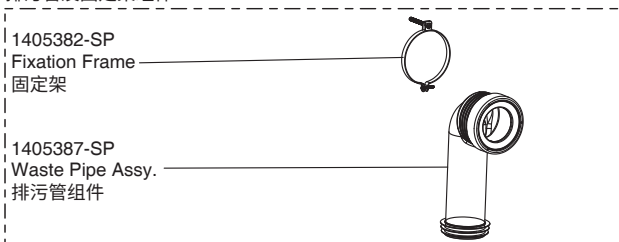
1523533-SP (HDPE) (K-25440T-*)

Waste Pipe Assy. P-trap
排污管组件横排



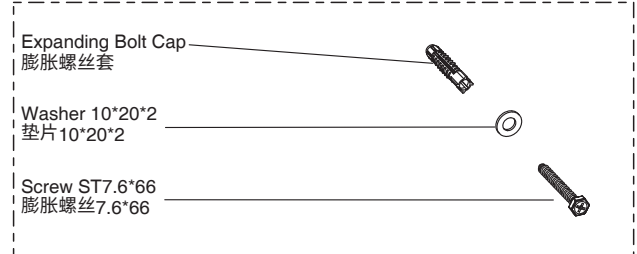
1397258-SP

Waste Pipe Assy With Fixation Frame
排污管及固定架组件



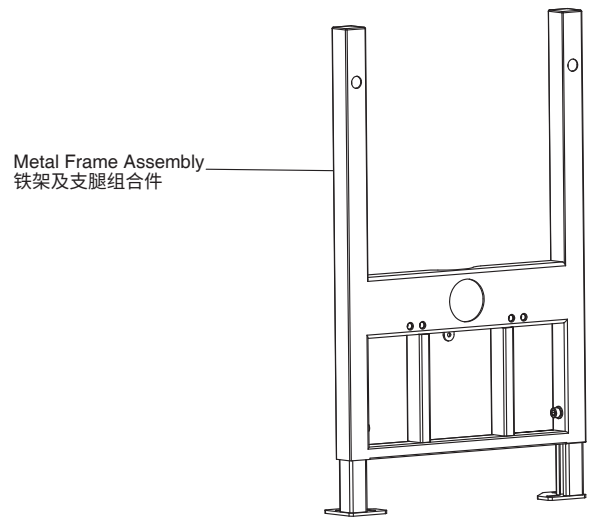
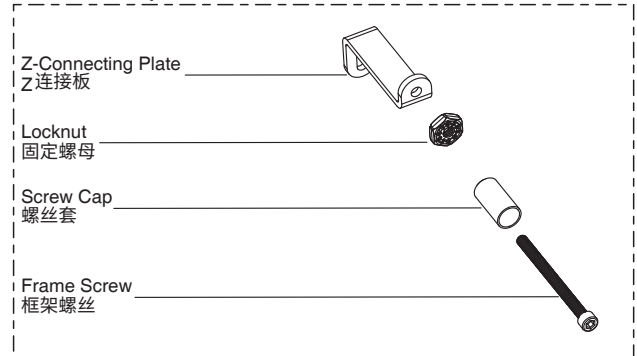
1358174-SP

Fitting Kits / 膨胀螺丝组件



1372927-SP

Screw Base Assy / 螺丝固定组件



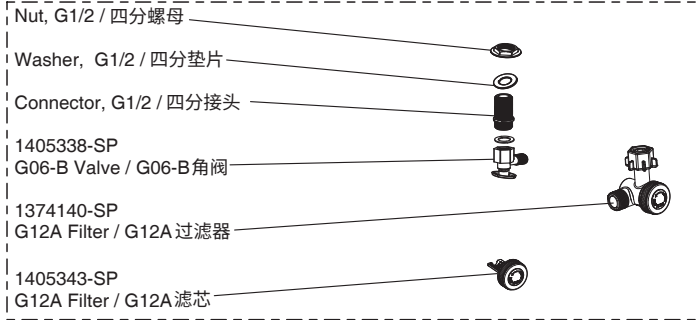
Note: -* is the code for wall-hung or wall-faced toilet series that in-wall tank can match with, which may represent VL, RE, VAW, DNW.

VLL indicates that the VL series toilet is equipped with a long leg.

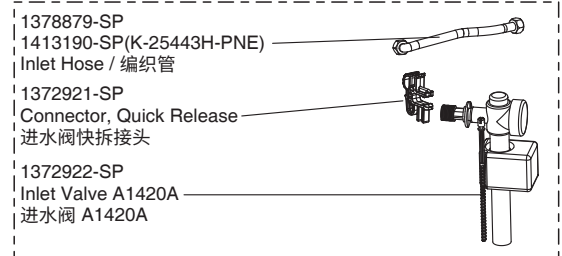
注: -* 为入墙水箱可匹配的挂墙马桶或落地马桶产品系列代码,有 VL、RE、VAW、DNW 等系列。

VLL表示VL系列马桶配备了长支脚水箱,以此类推。

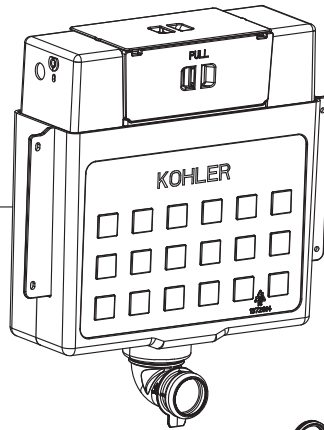
Inlet Mounting Kit / 进水安装组件



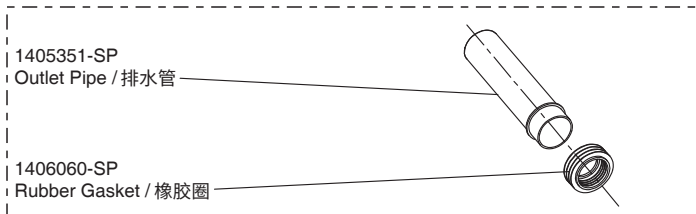
1372920-SP Fill Valve Assy./ 进水阀组件



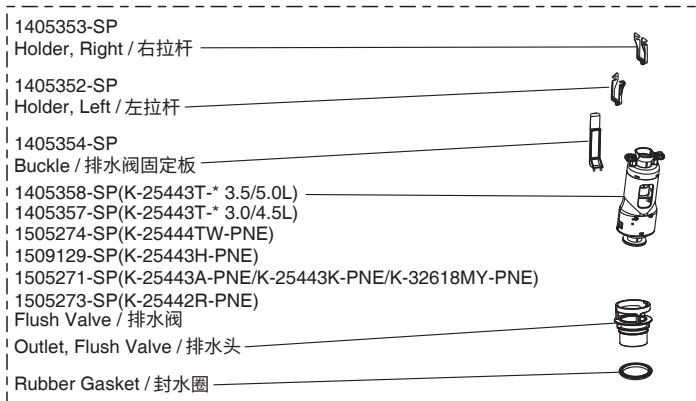
Tank Assy. / 水箱组件



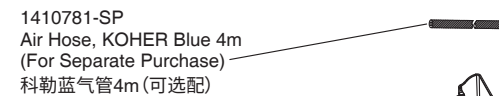
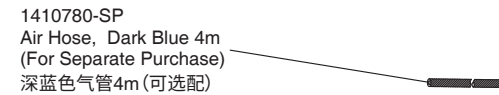
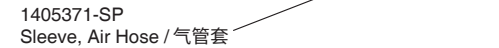
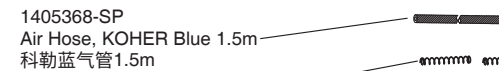
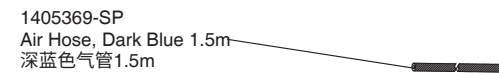
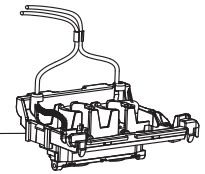
**1372918-SP
Outlet Pipe Assy. / 排水管组件**



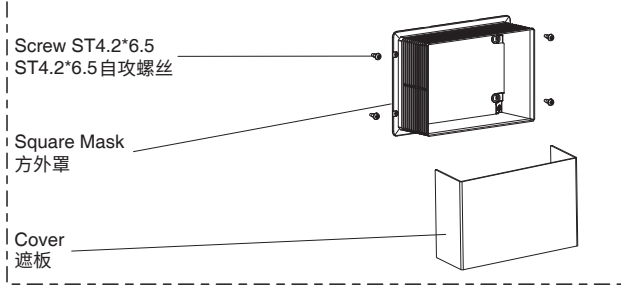
Flush Valve Assy. / 排水系统组件



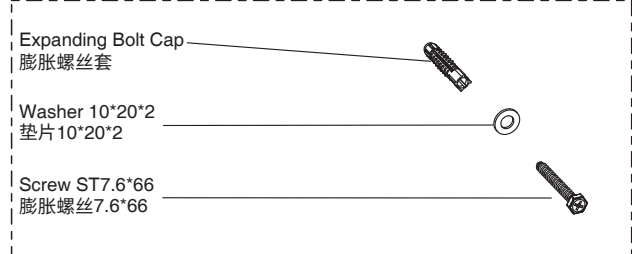
**1372925-SP
Lever Assy.
杠杆组件**



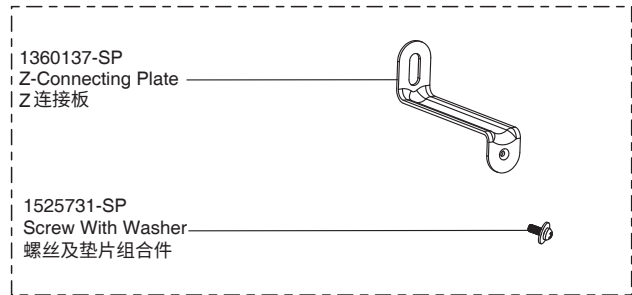
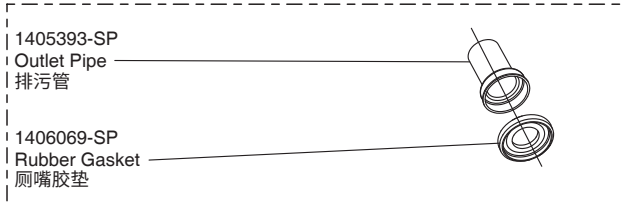
1360118-SP
Square Mask Assy.
方外罩组件



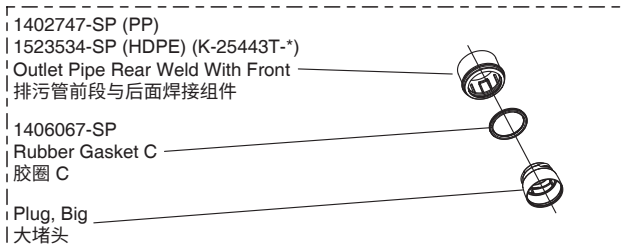
1358174-SP
Fitting Kits / 膨胀螺丝组件



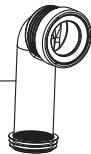
1402748-SP
Outlet Pipe Assy. For VC
陶瓷排污直管组件



1402746-SP (PP)
1523533-SP (HDPE) (K-25443T-*)
Waste Pipe Assy. P-trap
排污管组件横排



1405387-SP
Waste Pipe Assy.
排污管组件



Note: -* is the code for wall-hung or wall-faced toilet series that in-wall tank can match with, which may represent VL, RE, VAW, DNW.

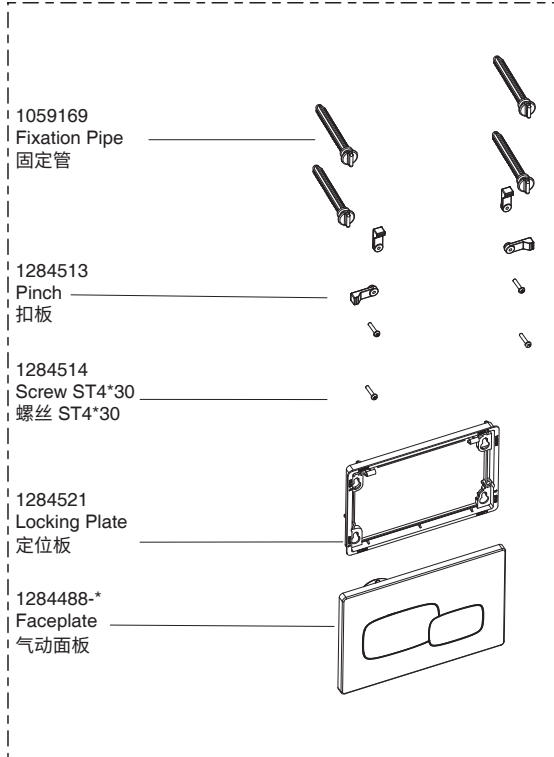
VLL indicates that the VL series toilet is equipped with a long leg.

注: -* 为入墙水箱可匹配的挂墙马桶或落地马桶产品系列代码,有 VL、RE、VAW、DNW 等系列。

VLL表示VL系列马桶配备了长支脚水箱, 以此类推。

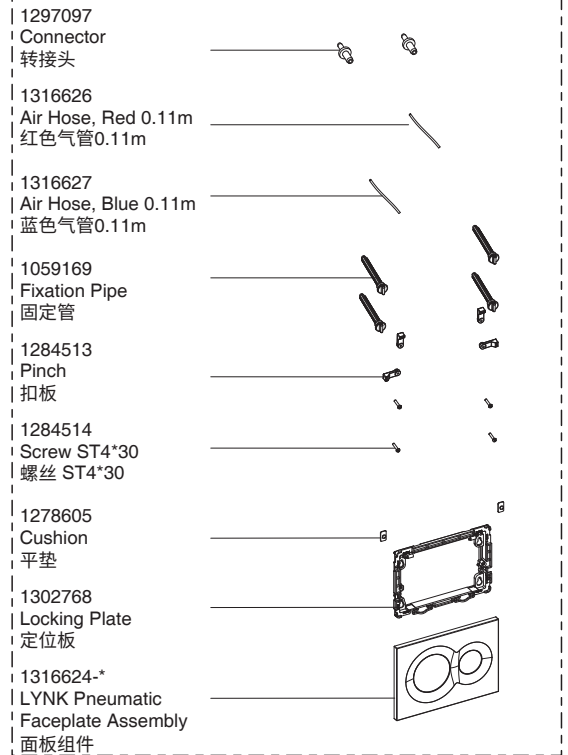
K-20341T-PNE-*

PEBBLE Pneumatic In-Wall Tank Faceplate
佩欧珀入墙式隐藏水箱面板 (气动版)



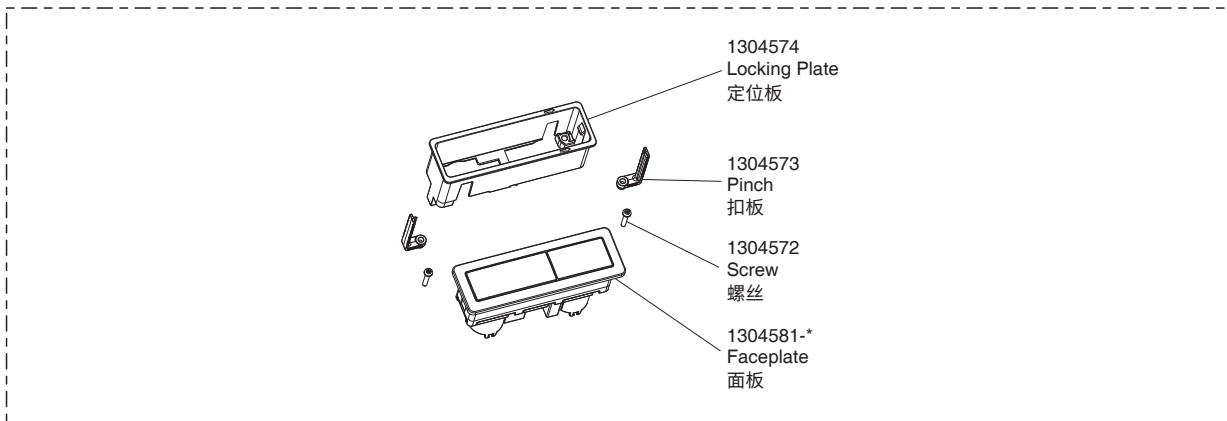
K-75890T-PNE-*

LYNK Pneumatic Faceplate
灵珂气动隐藏水箱面板



K-23055T-PNE-*

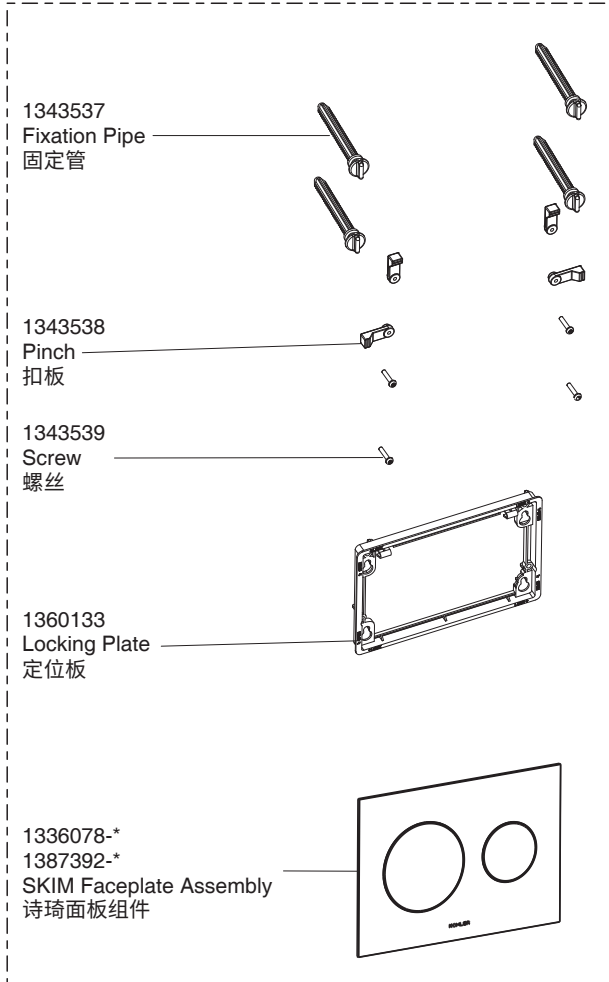
MODERN Life Small Faceplate
明莱隐藏式水箱面板



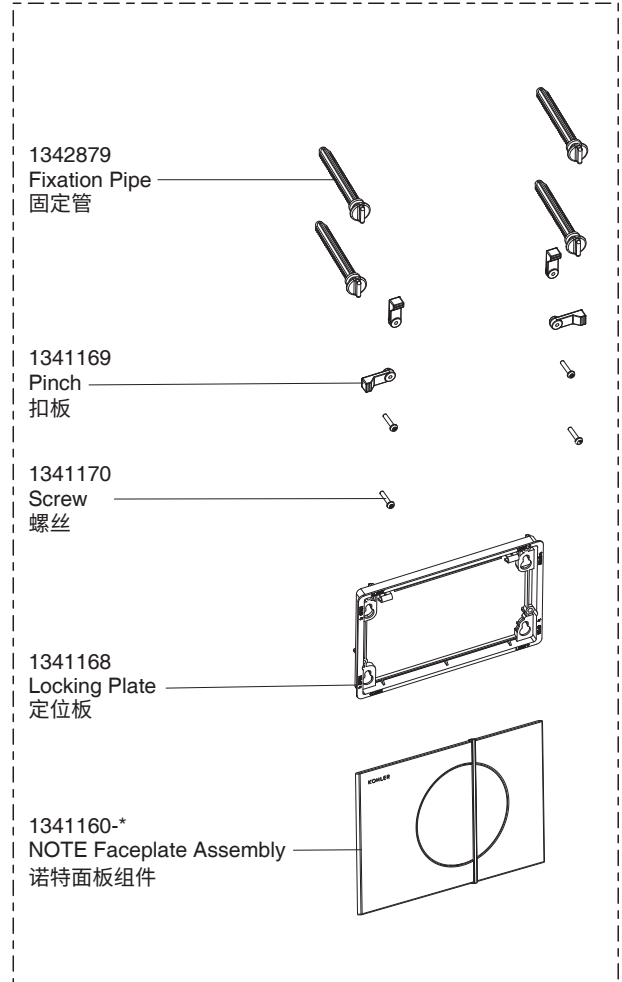
Color code (-*) or finish (-**) must be specified when ordering.

订购时请说明颜色代码 (-*) 或表面处理 (-**)

K-24149T*/K-24151T*
SKIM PNE IWT Faceplate
诗琦气动隐藏水箱面板



K-75891T-PNE*
NOTE Pneumatic In-Wall Tank Faceplate
诺特气动隐藏水箱面板



Color code (-*) or finish (-**) must be specified when ordering.

订购时请说明颜色代码 (-*) 或表面处理 (-**)