

**Craft Series Vanity**  
**CVSN24 Sinca Vanity Specification Sheet**

**FEATURES**

- Adjustable shelf with plumbing clearance
- Distinctive louvered door front details
- Adjustable leg levelers

**MATERIALS & CONSTRUCTION**

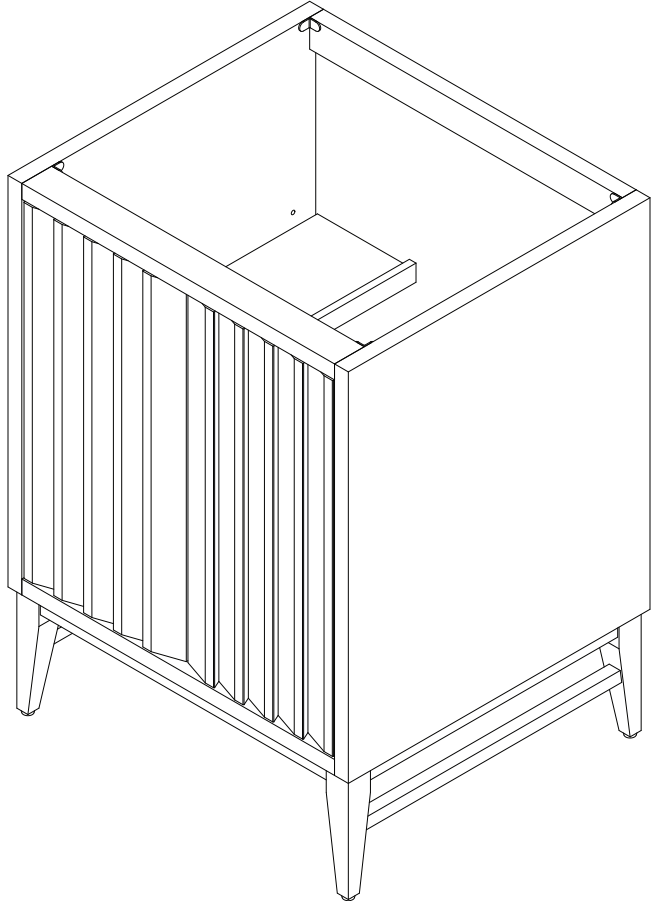
- Solid wood and veneer construction
- Tapered legs with stretcher support for increased strength
- Full plywood back panel, no cutout
- Adjustable Blum 92° soft-close hinges

**OPTIONS**

- Available in:
  - CVSN24217 - White Oak
  - CVSN24218 - Walnut
- Engineered stone tops available:
  - TB25UCO90-1                      • TB25UCO90-8
  - TB25UCO91-1                      • TB25UCO91-8
  - TB25UCO92-1                      • TB25UCO92-8
  - TB25UCO93-1                      • TB25UCO93-8
  - TB25UCO94-1                      • TB25UCO94-8

**DIMENSIONS**

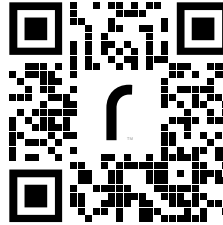
- Width: 24-1/4" (616mm)
- Height: 32-7/8" (835mm)
- Depth: 21-1/2" (546mm)



**MODEL NUMBER KEY**

PRODUCT LINE	CATEGORY	COLLECTION	WIDTH	FINISH OPTIONS
C = Craft Series	V = Vanity	SN = Sinca	24	(See above)

**MORE INFORMATION**



Scan the QR code to see the details found in the Craft Vanity installation instructions.

Use the camera app on your mobile device to look at this QR code. This will allow you to quickly access web pages and other relevant documents.

