

Uplift Tech Cabinet
UC48276RPNE2N Cabinet Specification Sheet

FEATURES

- Vertical full mirror door with position-hold mechanism
- Mirrored cabinet interior
- Cantilever shelving for six adjustable glass shelves
- Recessed, or optionally semi-recessed and surface mounted (semi-recess and surface mount kits sold separately)

ELECTRICAL FEATURES

- Standard 1/2" knock out for field wire connections
- Wired Internally - Cabinet interior access serviceability
- One standard, tamper-resistant 110V outlet
- One 5A USB/110V combination outlet - USB-C & USB-A
- Automatic integrated 2700K vertical interior LED lighting

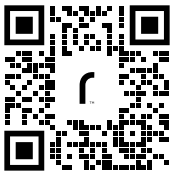
CONSTRUCTION

- Durable, rust free anodized aluminum & glass construction
- Adjustable shelving at 1" (25 mm) increments
- Salt spray tested glass - ASTM Standard

DIMENSIONS

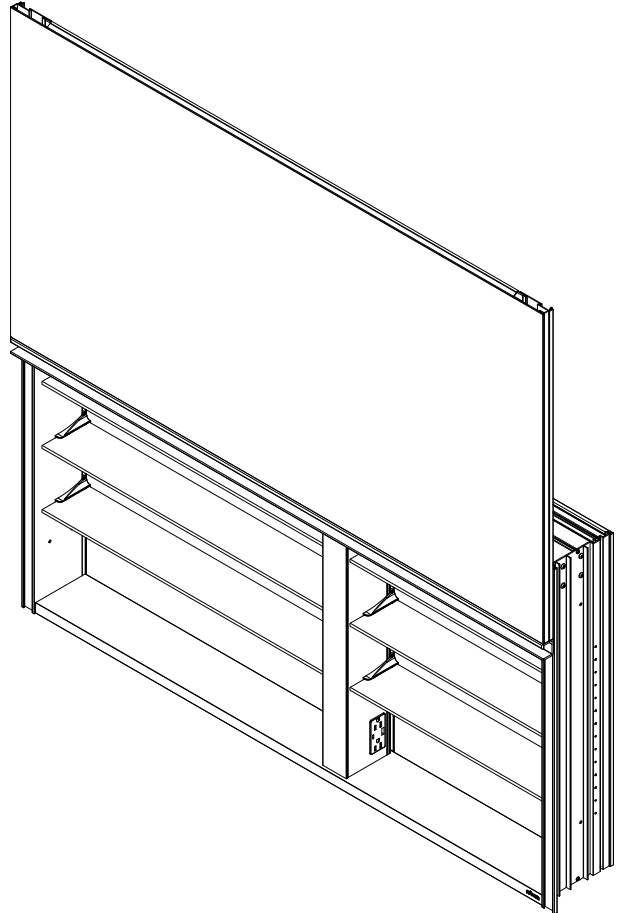
- Width: 48" (1219 mm)
- Height: 27" (686 mm) when closed
47-3/8" (1203 mm) when open
- Depth: 7-1/8" (181 mm) when surface mounted
3-5/16" (85 mm) when semi-recessed
1-5/16" (33 mm) when recessed

MORE INFORMATION



Scan the QR code to see the rough opening and electrical details found in the Uplift Tech installation instructions.

Use the camera app on your mobile device to look at this QR code. This will allow you to quickly access web pages and other relevant documents.



MODEL NUMBER KEY

PRODUCT LINE	WIDTH	HEIGHT	DEPTH	MIRROR STYLE	COLOR TEMP	OPTIONS
UC	48	27	6	FP = Unlit, Mirror only	N = N/A	E2 = Electric N

OPTIONS

- Other widths and door options available
- Handle Finish Upgrades
 - Chrome (UHANDLE4876)
 - Polished Nickel (UHANDLE4877)
 - Matte Gold (UHANDLE4882)
 - Matte Black (UHANDLE4883)
- Assorted glass bins:
 - Medium (GLASSBIN5.25)
 - Large (GLASSBIN8.5)

ELECTRICAL SYSTEM

- Operates on 120VAC 1.1A Max

CODES & STANDARDS

- Certified for damp locations to:
- UL 962
 - CSA Standard C22.2 No. 250.0

INSTALLATION OPTIONS

- Optional Mounting Kits (Single Cabinet):
 - Surface Mount (USMK27D6P)
 - Semi-Recess (USMK27D6SRP)
- Optional Top and Bottom Kits (Single Cabinet):
 - Surface Mount (UTK48D6A)
 - Semi-Recess Mount (UTK48D6ASR)
- Ganging Kit (aligns two cabinets):
 - Uplift Ganging Kit (UGKIT)
- **Recessed Mount Rough Opening:**
47" W x 26-1/4" H (1194 mm W x 667 mm H)

