

**Uplift Tech Cabinet**  
**UC48276RPTE4N Cabinet Specification Sheet**

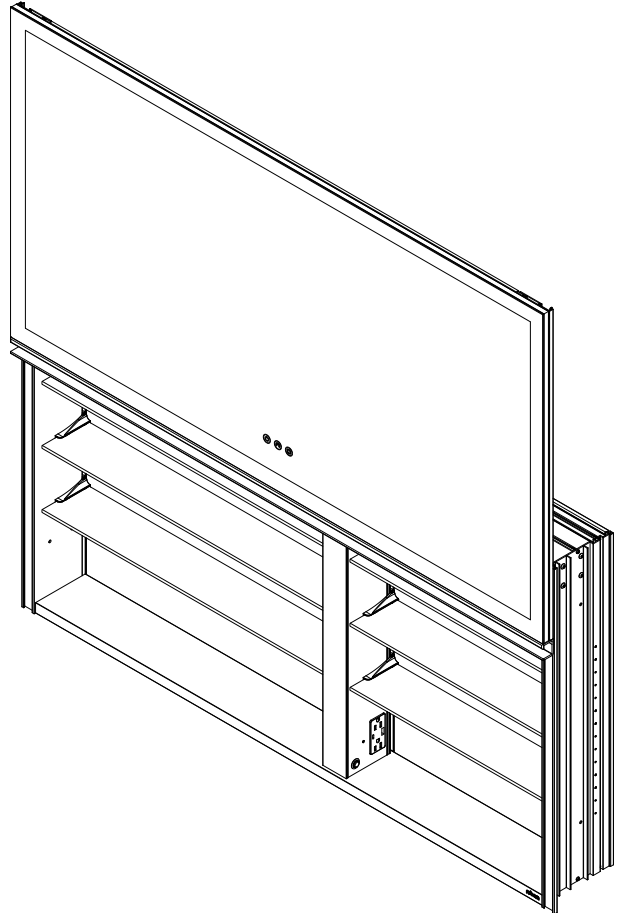
**FEATURES**

- Vertical perimeter lit door with position-hold mechanism
- Mirrored cabinet interior
- Cantilever shelving for six adjustable glass shelves
- Recessed, or optionally semi-recessed and surface mounted (semi-recess and surface mount kits sold separately)

**ELECTRICAL FEATURES**

- Integrated dimmable & tunable light controls
- Standard 1/2" knock out for field wire connections
- Wired Internally - Cabinet interior access serviceability
- One standard, tamper-resistant 110V outlet
- One 5A USB/110V combination outlet - USB-C & USB-A
- Automatic integrated 2700K vertical interior LED lighting
- Dimmable LED task lighting to 5%
- Defogging technology ensures a clear reflection
- Programmable 2700K night light integrated into door handle
- Integrated night light can be controlled by external switch
- Energy efficient LEDs with an estimated life of 53,000 hours:

Color Temperature (Kelvin)	2700K to 5600K
CRI	90+
R9 Value	50+
Delivered Lumens	2688



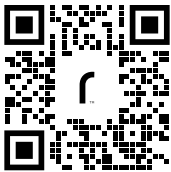
**CONSTRUCTION**

- Durable, rust free anodized aluminum & glass construction
- Adjustable shelving at 1" (25 mm) increments
- Salt spray tested glass - ASTM Standard

**DIMENSIONS**

- Width: 48" (1219 mm)
- Height: 27" (686 mm) when closed  
47-3/8" (1203 mm) when open
- Depth: 7-1/8" (181 mm) when surface mounted  
3-5/16" (85 mm) when semi-recessed  
1-5/16" (33 mm) when recessed

**MORE INFORMATION**



Scan the QR code to see the rough opening and electrical details found in the Uplift Tech installation instructions.

Use the camera app on your mobile device to look at this QR code. This will allow you to quickly access web pages and other relevant documents.

**MODEL NUMBER KEY**

PRODUCT LINE	WIDTH	HEIGHT	DEPTH	MIRROR STYLE	COLOR TEMP	OPTIONS
UC	48	27	6	RP = Perimeter Lit	T = Tunable	E4 = Electric, Night Light, and Defogger      N

**OPTIONS**

- Other widths and door options available
- Handle Finish Upgrades
  - Chrome (UHANDLE4876)
  - Polished Nickel (UHANDLE4877)
  - Matte Gold (UHANDLE4882)
  - Matte Black (UHANDLE4883)
- Assorted glass bins:
  - Medium (GLASSBIN5.25)
  - Large (GLASSBIN8.5)

**ELECTRICAL SYSTEM**

- Operates on 120VAC 2.3A Max

**CODES & STANDARDS**

- Certified for damp locations to:
- UL 962
  - CSA Standard C22.2 No. 250.0

**INSTALLATION OPTIONS**

- Optional Mounting Kits (Single Cabinet):
  - Surface Mount (USMK27D6P)
  - Semi-Recess (USMK27D6SRP)
- Optional Top and Bottom Kits (Single Cabinet):
  - Surface Mount (UTK48D6A)
  - Semi-Recess Mount (UTK48D6ASR)
- Ganging Kit (aligns two cabinets):
  - Uplift Ganging Kit (UGKIT)
- **Recessed Mount Rough Opening:**  
**47" W x 26-1/4" H (1194 mm W x 667 mm H)**

