

### Features

- Aluminum and glass construction
- Side kits are replaceable and sold separately or in pairs for convenience
- Includes parts and installation hardware for one side
- Side Kits are universal and can be installed on the right or left side

### Dimensions

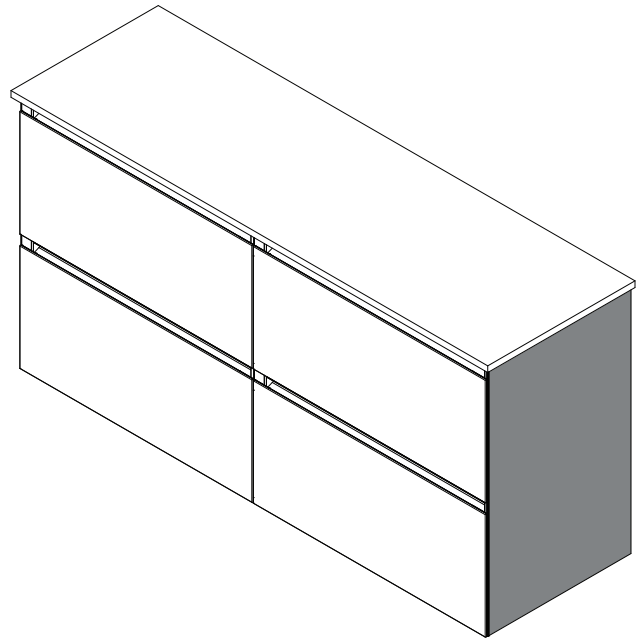
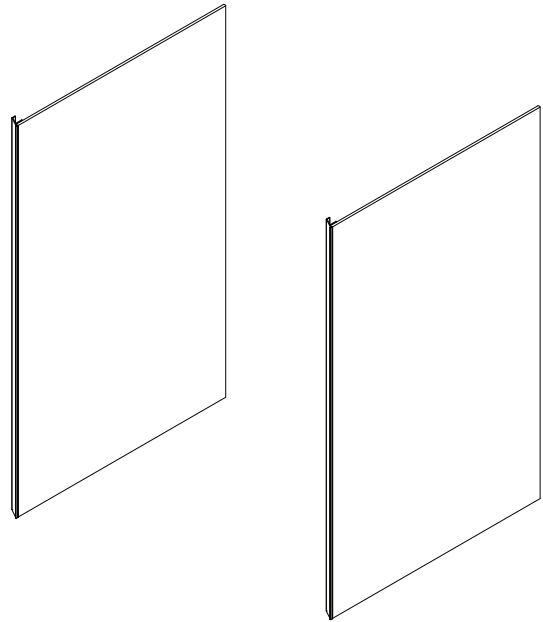
**Height:** 30" (762 mm)  
**Width:** 7/8" (22 mm)  
**Depth:** 18-9/16" (471 mm)

### Options

- Glass finish options: Mirror, patterned glass, and back painted glass - gloss or matte
- Other heights available -  
 H1 - 7-1/2" (191 mm) / H2 - 15" (381 mm) / H3 - 22-1/2" (572 mm)
- D21 depth available

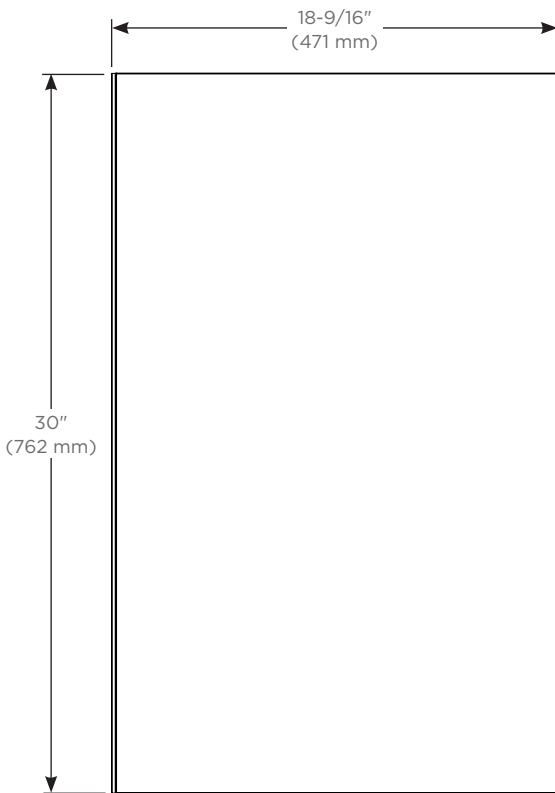
### Compatibility

- Pairs with all D18 (18-3/4") vanities that total 30" in height
- Designed to finish a single vanity or a multiple vanity assembly that totals 30" in height
- Do not stack Side kits
- See instructions 209-1248



### Model Number Key

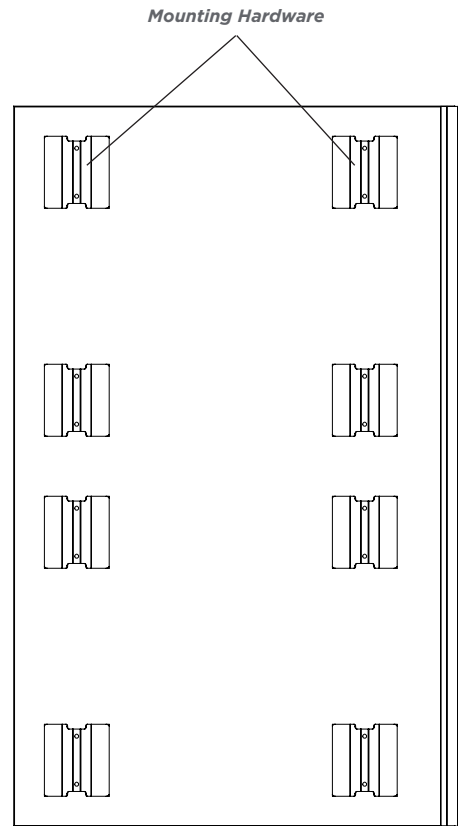
| Number of Side Kits |            | Height   | Depth          | Glass Finish            |                   |
|---------------------|------------|----------|----------------|-------------------------|-------------------|
| VM                  | 2SK = Pair | H4 = 30" | D18 = 18-9/16" | 11 = Tinted Grey Mirror | 22 = Beach        |
|                     |            |          |                | 20 = Black              | 26 = Matte White  |
|                     |            |          |                | 21 = White              | 27 = Matte Gray   |
|                     |            |          |                |                         | 28 = Matte Black  |
|                     |            |          |                |                         | 60 = Reeded White |
|                     |            |          |                |                         | 61 = Reeded Brass |
|                     |            |          |                |                         | 12 = Satin Bronze |
|                     |            |          |                |                         | 19 = Satin White  |



*Front view*



*Top view*



*Back view*