

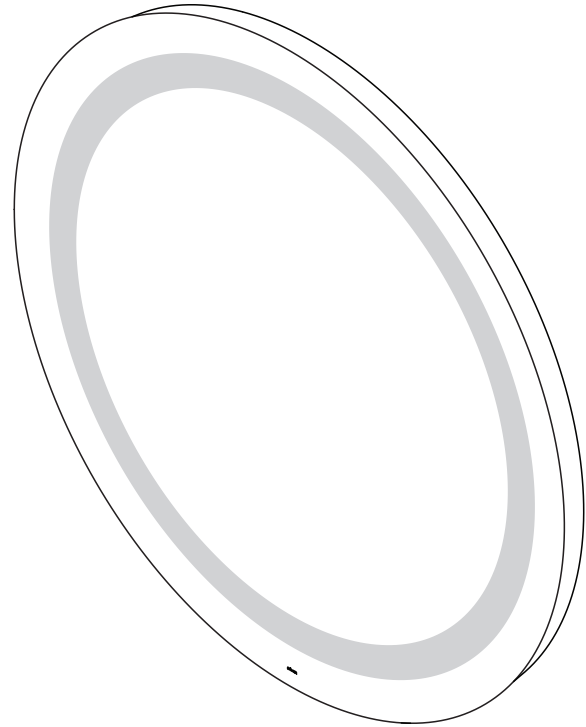
Features

- Includes mirror defogging
- Dimmable LED task lighting to 1%
- Compatible with most Triac/Phase-cut dimmers
- Energy efficient LED lighting:

Kelvin	3000**	4000
CRI	90+	90+
Lumens* (Approx)	990	1200
Lux* (Approx)	460	580
R9 Value*	50+	50+
Foot-candles* (Approx)	42	53
Watt Output - LED	55w max	
Watt Output - LED with defogger on	85w max	

* Measured at 18" from center of the mirror

** Starting in Fall 2021, Vitality Lighted Mirrors are being enhanced to 3000K CCT from 2700K CCT. Orders will be fulfilled with 3000K based on existing inventory.



Construction

- Anodized aluminum back frame
- Quality polished edge mirror
- Power cords installed for easy plugin installation
- Constructed for surface mounting
- Includes installation hardware

Codes/Standards Applicable

Vitality Mirror is UL certified to:

- UL 962
- CSA-C22.2, No. 12-82

Dimensions

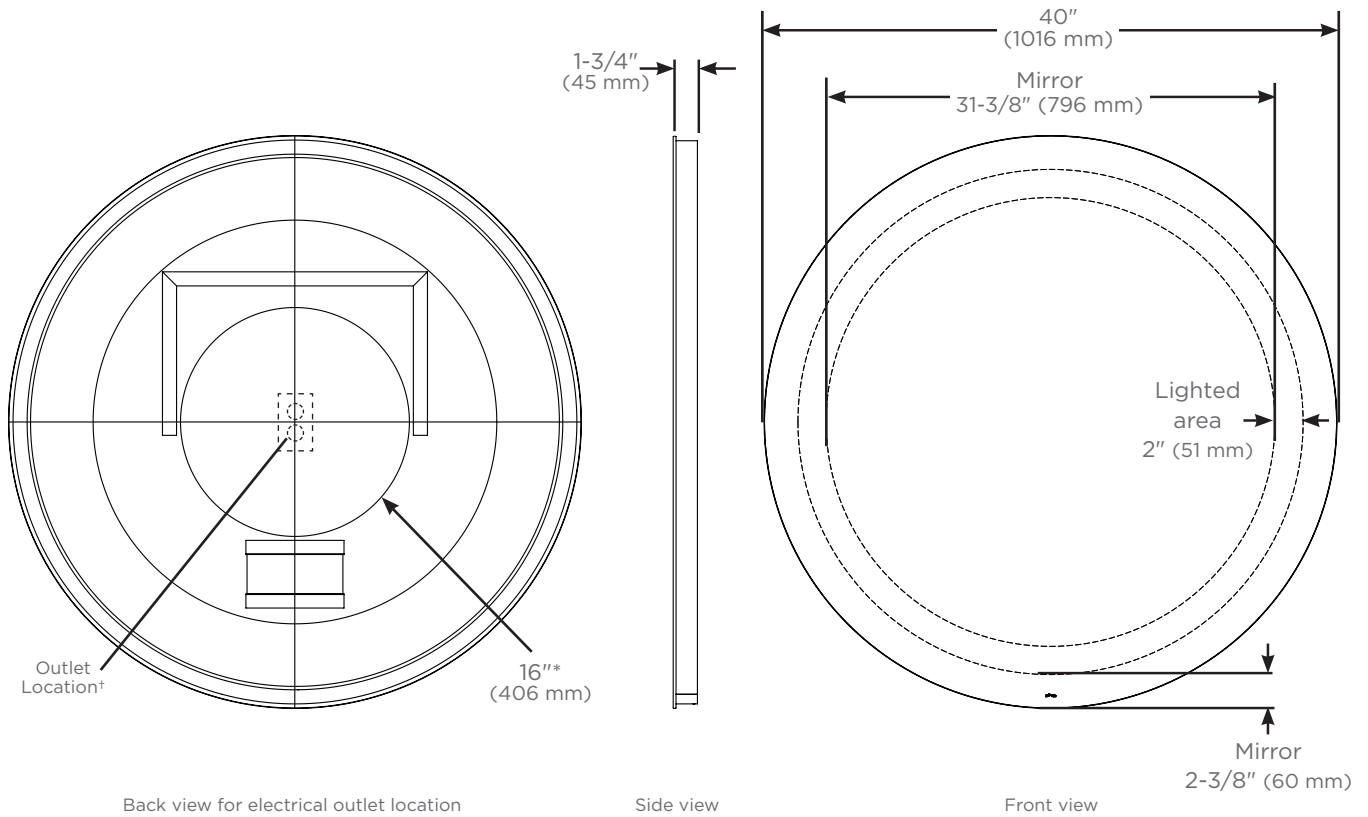
Diameter: 40" (1016 mm)
 Depth: 1-3/4" (45 mm)

Electrical System

- 120 Vac 60Hz wall outlet as shown in drawing

Model Number Key

<u>Vitality</u>	<u>Mirror</u>	<u>Diameter</u>	<u>Shape</u>	<u>Light Pattern</u>	<u>Edge Type</u>	<u>Options</u>	<u>Color Temp</u>
Y	M	0040	C = Circle	I = Inset	FP = Flat, Polished	D = Defogger	3 = 3000K 4 = 4000K



* Defogger Size

† See instructions for wiring and location