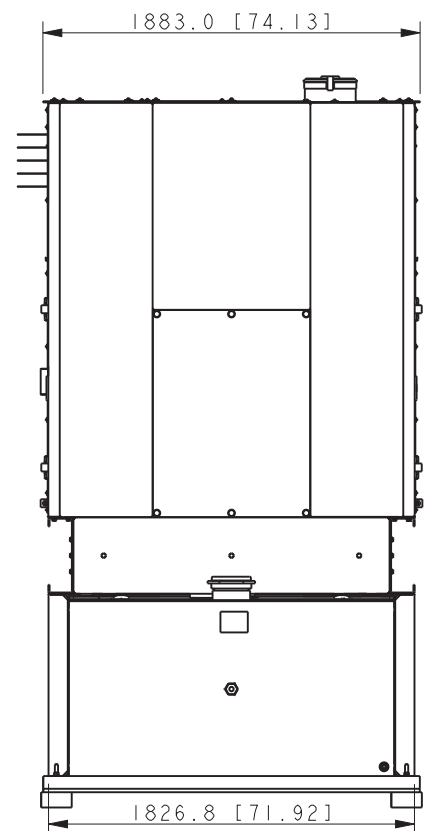
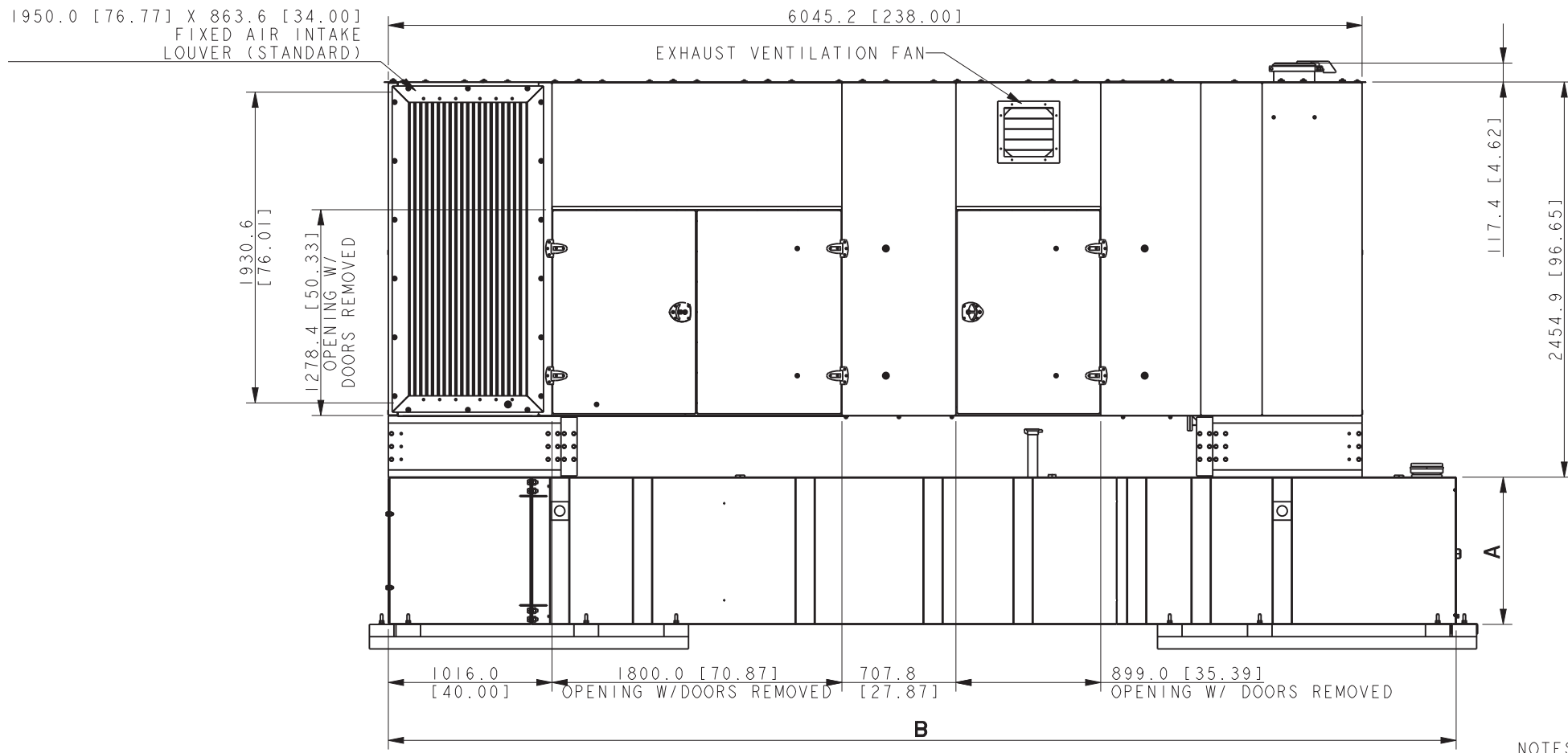


WEATHER ENCLOSURE



TANK INFORMATION				
LITERS [GALLONS] MIN HOURS	GENSETS	DIM A MM [INCH]	DIM B MM [INCH]	TANK WEIGHT KG [LBS] (NO FUEL)
2049 [541] 12 HOURS	500-600KW	406.4 [16.0]	6045.2 [238.0]	1444 [3183]
3910 [1033] 24 HOURS		736.6 [29.0]		1793 [3952]
5730 [1513] 36 HOURS		914.4 [36.0]	6629.4 [261.0]	2201 [4853]
7645 [2019] 48 HOURS			8026.4 [316.0]	2665 [5876]
2039 [538] 12 HOURS STATE		381.0 [15.0]	6858.0 [270.0]	1591 [3508]
3930 [1038] 24 HOURS STATE		660.4 [26.0]		1893 [4173]
5757 [1520] 36 HOURS STATE		914.4 [36.0]	8458.2 [333.0]	2177 [4800]
7658 [2023] 48 HOURS STATE				2680 [5908]

NOTES:
FOR PROPER ASSEMBLY METHOD OF HARDWARE, USE G-585 AS A GUIDELINE.

500-600 REOZVB		KG [LBS]
STEEL SOUND L2 ENCLOSURE WEIGHT	1483 [3270]	
ALUM SOUND L2 ENCLOSURE WEIGHT	859 [1895]	
STEEL WEATHER ENCLOSURE WEIGHT	1326 [2925]	
ALUM WEATHER ENCLOSURE WEIGHT	703 [1550]	

REV	DATE	ON COMPOSITE DWGS. SEE PART NO. FOR REVISION LEVEL	BY
-	6-27-11	NEW DRAWING [91023-12]	RJS
A	3-19-12	(A-8) SEE SHEETS 5-6 [CT08748]	DJV
B	1-10-13	SHEET 7 ADDED [CT34883]	SDS
C	8/10/17	(D-4) ADD DIM Ø254.0 SEE SHEETS 2,4,5,6 [CT172496]	RMJ
D	11-25-19	(C-5) SA11185 EXHAUST VENT FAN ADDED [CT199135]	SRB
E	02MAY2023	SEE SHEET 3 [CT227188]	APM

UNLESS OTHERWISE SPECIFIED - DIMENSIONS ARE IN MILLIMETERS
GENERAL TOLERANCES: NA

KOHLER CO. METRIC PRO-E
POWER SYSTEMS, KOHLER, WI 53044 U.S.A.
THIS DRAWING IN DESIGN AND DETAIL IS KOHLER CO. PROPERTY AND MUST NOT BE USED EXCEPT IN CONNECTION WITH KOHLER CO. WORK. ALL RIGHTS OF DESIGN OR INVENTION ARE RESERVED.

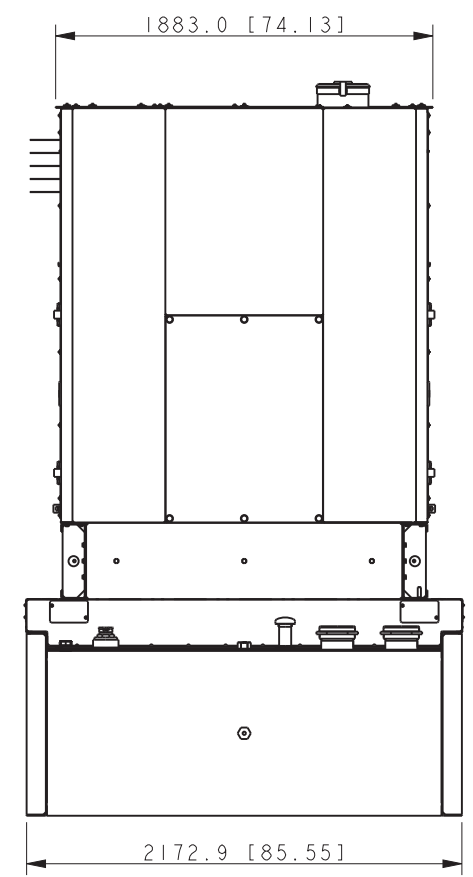
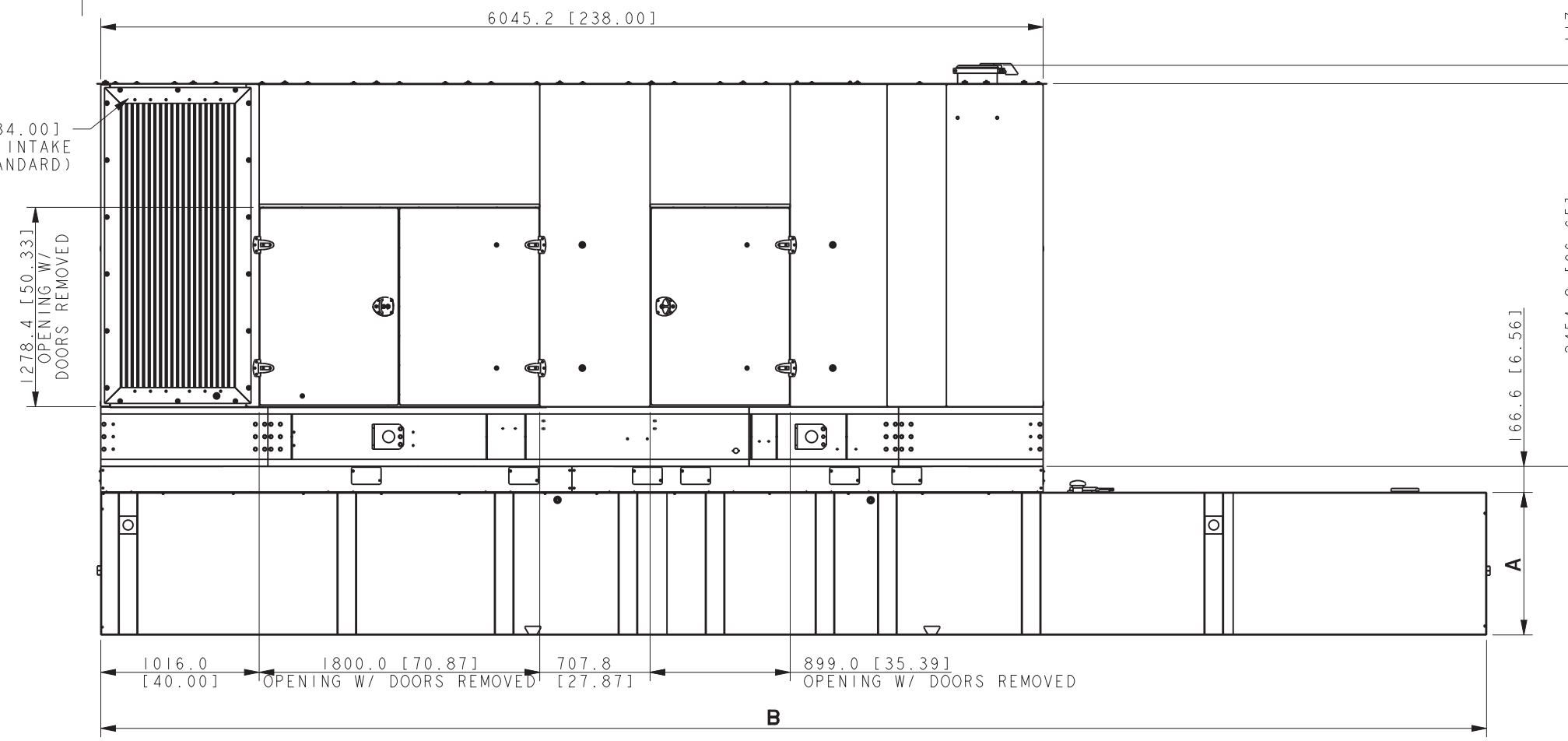
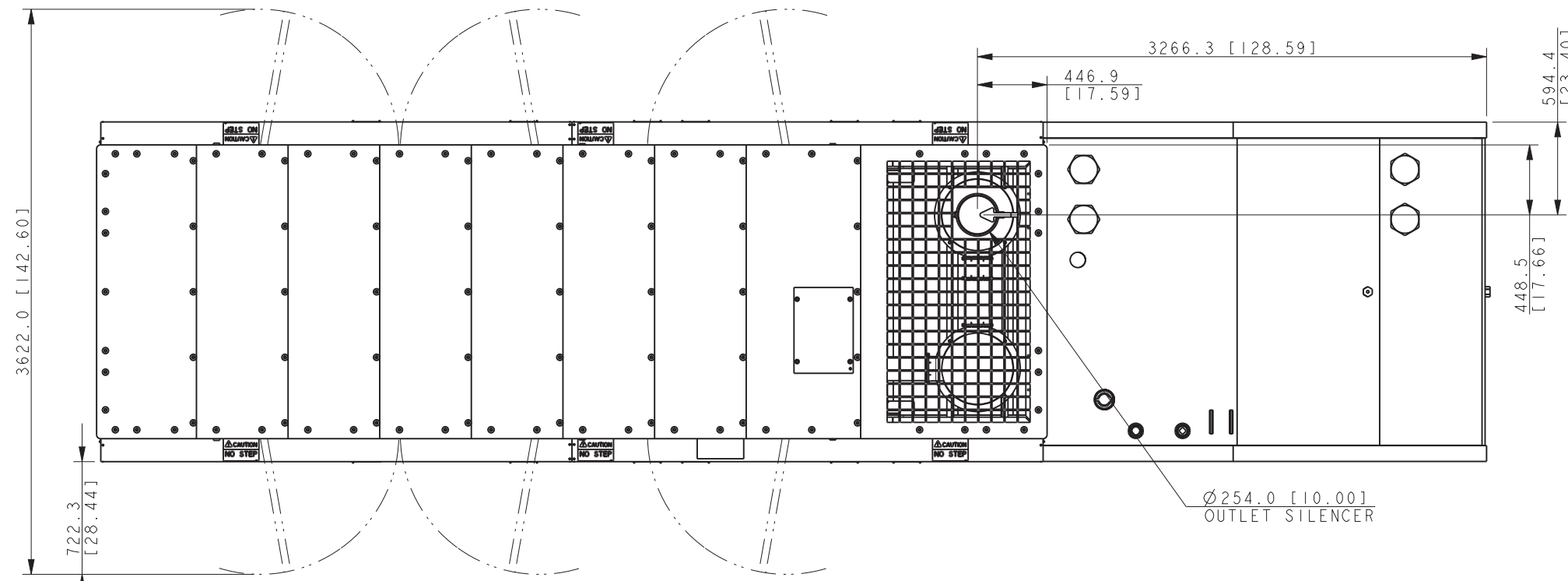
THIRD ANGLE PROJECTION

APPROVALS DATE
DRAWN RJS 6-27-11
CHECKED RJS 6-27-11
APPROVED AJD 6-27-11

TITLE
DIMENSION PRINT, 500-600KW ENCLS & TANKS

SCALE 0.05 CAD NO. SHEET 1 of 7
DWG NO. ADV-8417

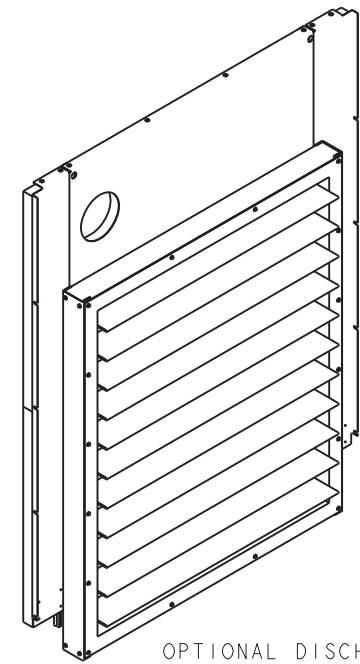
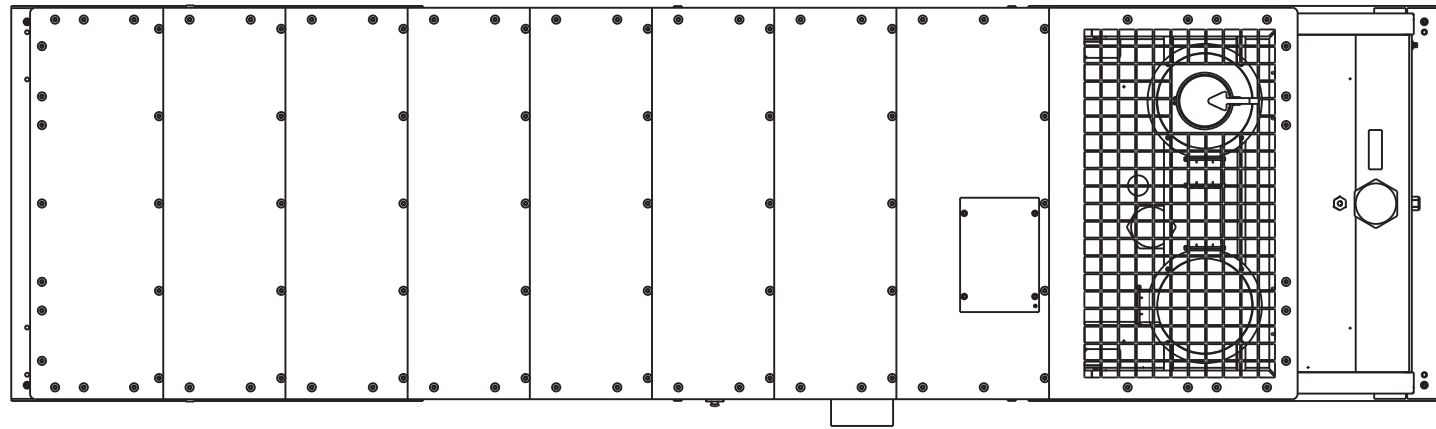
500-600KW REOZVB/C
STEEL/ALUM ENCL & TANKS
SOUND & WEATHER



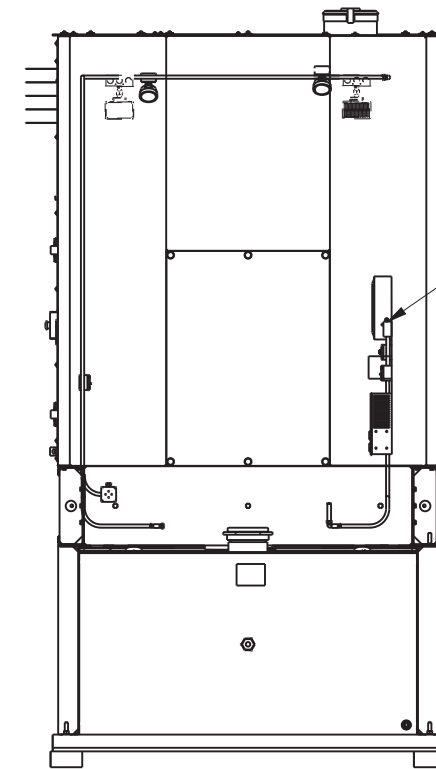
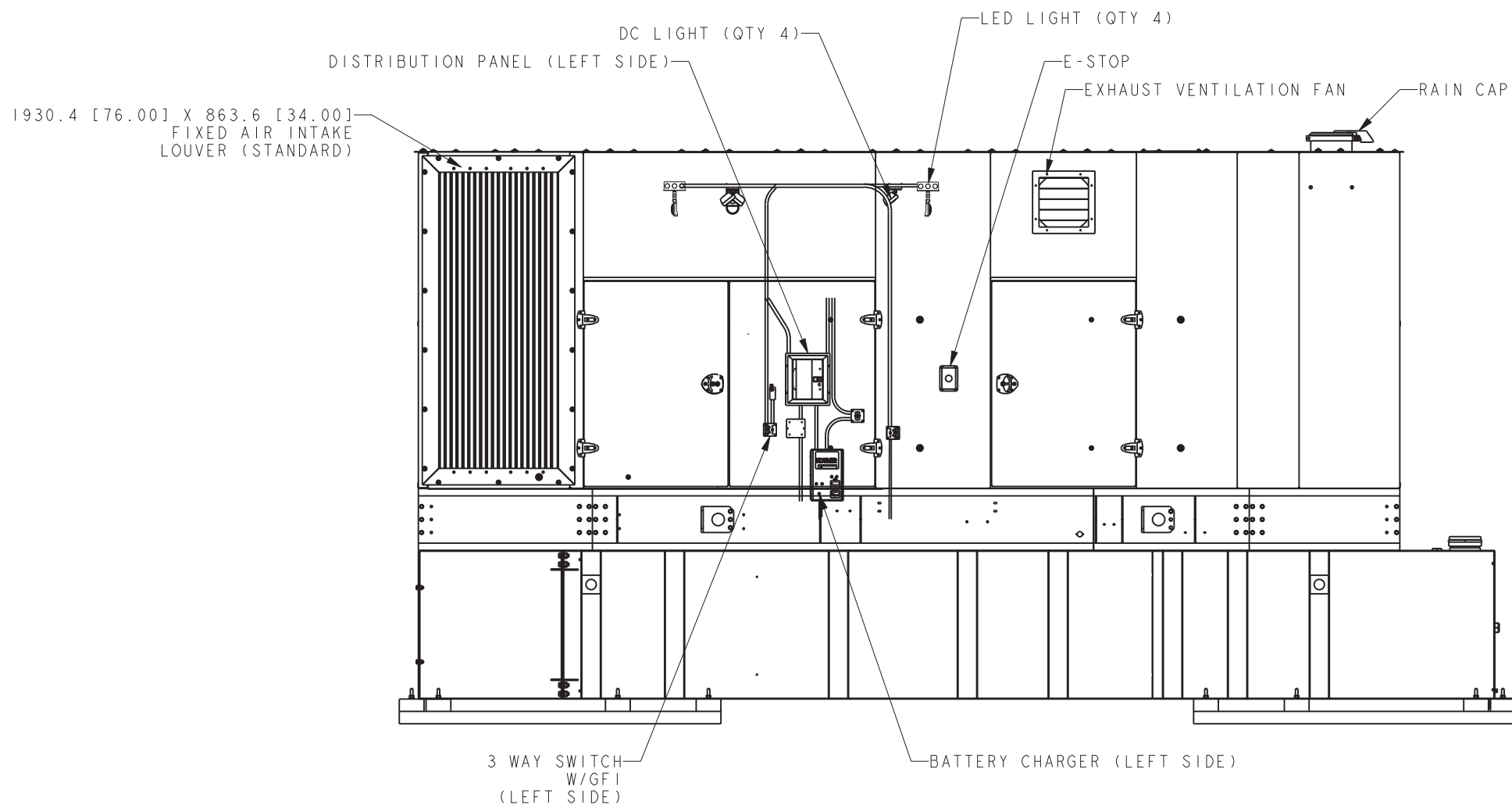
500-600 REOZVB	KG [LBS]
STEEL SOUND L2 ENCLOSURE WEIGHT	1326 [2923]
ALUM SOUND L2 ENCLOSURE WEIGHT	768 [1694]

REV	DATE	ON COMPOSITE DWGS. SEE PART NO. FOR REVISION LEVEL	BY	UNLESS OTHERWISE SPECIFIED - DIMENSIONS ARE IN MILLIMETERS	GENERAL TOLERANCES: NA	TITLE
-	6-27-11	NEW DRAWING [91023-12]	RJS	THIRD ANGLE PROJECTION		KOHLER CO. METRIC PRO-E POWER SYSTEMS, KOHLER, WI 53044 U.S.A. THIS DRAWING IN DESIGN AND DETAIL IS KOHLER CO. PROPERTY AND MUST NOT BE USED EXCEPT IN CONNECTION WITH KOHLER CO. WORK. ALL RIGHTS OF DESIGN OR INVENTION ARE RESERVED.
A	3-19-12	(A-8) SEE SHEETS 5-6 [CT08748]	DJV			
B	1-10-13	SEE SHEET 1 [CT34883]	SDS			DIMENSION PRINT, 500-600KW ENCLS & TANKS SCALE 0.40 CAD NO. SHEET 2 of 7 DWG NO. ADV-8417
C	8-10-17	(C-4) ADD DIM 254.0, SEE SHEETS 1,4,5,6, [CT172496]	RMJ			
D	11-25-19	SEE SHEET 1 & 3 [CT199135]	SRB	APPROVALS	DATE	
E	02MAY2023	SEE SHEET 3 [CT227188]	APM	APM	RJS	6-27-11
				CHECKED	RJS	6-27-11
				APPROVED	AJD	6-27-11

TANK INFORMATION					
LITERS [GALLONS]	MIN HOURS	GENSETS	DIM A MM [INCH]	DIM B MM [INCH]	TANK WEIGHT KG [LBS] (NO FUEL)
11554 [3052]	72 HOURS STATE	500-600KW	914.4 [36.0]	8890.0 [350.0]	4205 [9270]



OPTIONAL DISCHARGE DAMPER
(MOUNTED INSIDE DISCHARGE PLENUM)



TIMER FOR DC LIGHTS

REV	DATE	ON COMPOSITE DWGS. SEE PART NO. FOR REVISION LEVEL	BY
-	6-27-11	NEW DRAWING [91023-12]	RJS
A	3-19-12	(A-8)SEE SHEETS 5-6 [CT08748]	DJV
B	1-10-13	SEE SHEET 1 [CT34883]	SDS
C	8-10-17	SEE SHEET 1,2,4,5,6 [CT172496]	RMJ
D	11-25-19	(B-5)EXHAUST VENT FAN & E-STOP ADDED[CT199135]	SRB
E	02MAY2023	(C-5) LED LIGHT WAS INCANDESCENT LIGHT [CT227188]	APM

APPROVALS	DATE
DRWN RJS	6-27-11
CHEK RJS	6-27-11
APPRV AJD	6-27-11

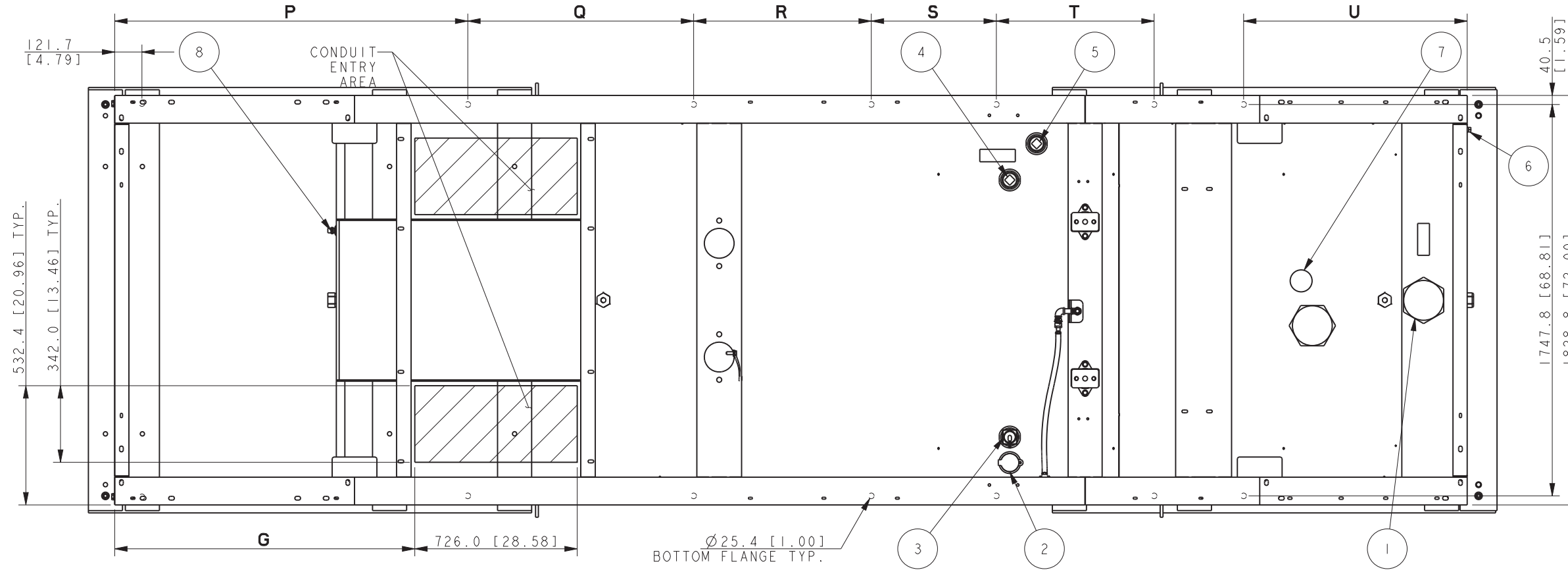
UNLESS OTHERWISE SPECIFIED - DIMENSIONS ARE IN MILLIMETERS
GENERAL TOLERANCES : NA

KOHLER CO. METRIC PRO-E
POWER SYSTEMS, KOHLER, WI 53044 U.S.A.
THIS DRAWING IN DESIGN AND DETAIL IS KOHLER CO. PROPERTY AND MUST NOT BE USED EXCEPT IN CONNECTION WITH KOHLER CO. WORK. ALL RIGHTS OF DESIGN OR INVENTION ARE RESERVED.

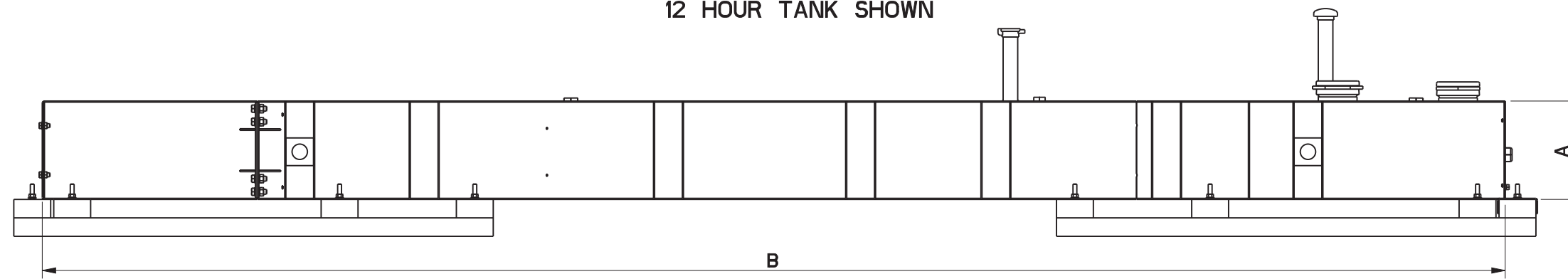
TITLE: **DIMENSION PRINT, 500-600KW ENCLS & TANKS**

SCALE: 0.40 CAD NO. SHEET 3 of 7
DWG NO. **ADV-8417** D

STANDARD TANK



12 HOUR TANK SHOWN



2049 L [541 GAL.] 12 HOUR TANK SHOWN.

LITERS [GALLONS] MIN HOURS	TANK INFORMATION								WEIGHT KG [LBS]	JUNCTION BOX					
	A	B	P	Q	R	S	T	U		G		500-550 KW		600 KW	
										5M4024, 5M4027, 5M4028, 5M4030, 5M4162, 5M4270, 5M4272	5M4032, 5M4164	5M4030, 5M4272	5M4032, 5M4164, 5M4276		
2049 [541] 12 HOURS	406.4 [16.0]	6045.2 [238.0]	1578.2 [62.1]	1009.5 [39.7]	794.0 [31.3]	559.0 [22.0]	705.2 [27.8]	999.3 [39.3]	1444 [3183]	1341.3 [52.8]	1176.2 [46.3]	1174.2 [46.2]	1009.1 [39.7]		
3910 [1033] 24 HOURS	736.6 [29.0]														
5730 [1513] 36 HOURS	914.4 [36.0]	6629.4 [261.0]													
7645 [2019] 48 HOURS		8026.4 [316.0]													

12 - 48 HOUR 500-600KW REOZVB/C GENSET & STANDARD TANKS WITH SOUND OR WEATHER ENCLOSURE

REV	DATE	ON COMPOSITE DWGS. SEE PART NO. FOR REVISION LEVEL	BY
-	6-29-11	NEW DRAWING [91023-12]	JB2
A	3-19-12	(A-8) SEE SHEETS 5-6 [CT08748]	DJV
B	1-10-13	SEE SHEET 1 [CT34883]	SDS
C	8-10-17	(B-5) ADD NOTE, SEE SHEET 1,2,5,6 [CT172496]	RMJ
D	11-25-19	SEE SHEET 1 & 3 [CT199135]	SRB
E	02MAY2023	SEE SHEET 3 [CT227188]	APM

ITEM	DESCRIPTION
8	SWITCH, FUEL IN BASIN
7	VENT, NORMAL
6	DRAIN, (1/2" NPT)
5	RETURN, FUEL
4	SUPPLY, FUEL
3	GAUGE, FUEL LEVEL, W/ SENDER
2	FILL CAP, 2" LOCKABLE W/PIPE RISER
1	CAP, EMERGENCY VENT

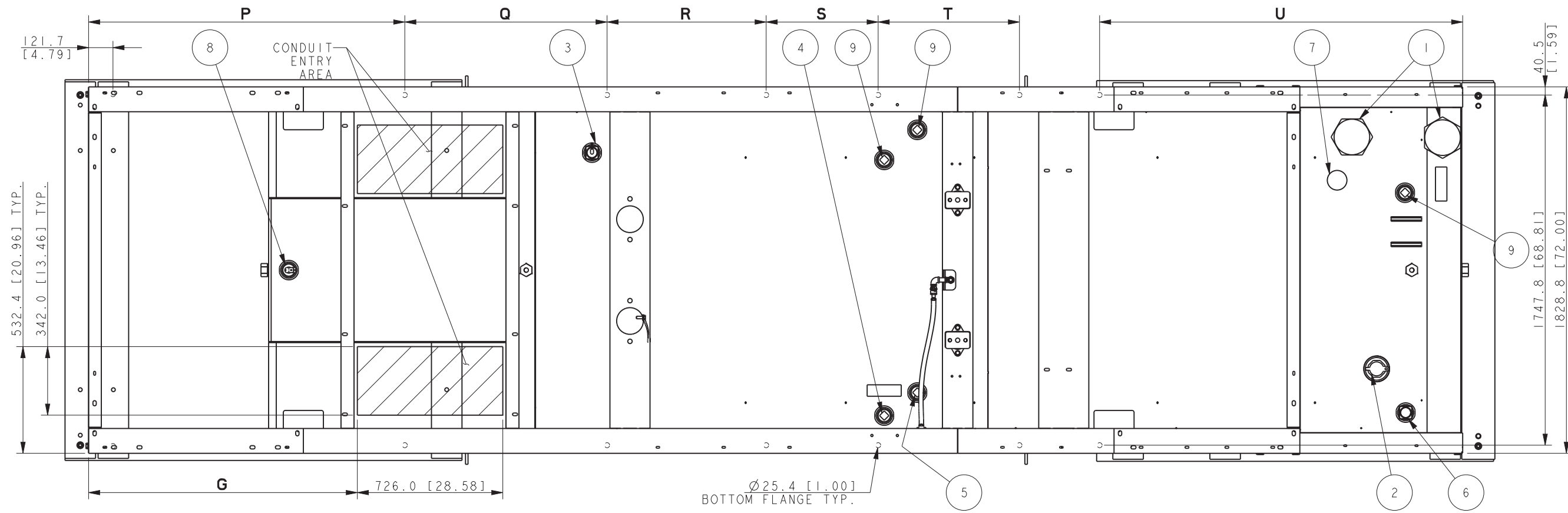
UNLESS OTHERWISE SPECIFIED - DIMENSIONS ARE IN MILLIMETERS GENERAL TOLERANCES : NA

KOHLER CO. METRIC PRO-E
POWER SYSTEMS, KOHLER, WI 53044 U.S.A.
THIS DRAWING IN DESIGN AND DETAIL IS KOHLER CO. PROPERTY AND MUST NOT BE USED EXCEPT IN CONNECTION WITH KOHLER CO. WORK. ALL RIGHTS OF DESIGN OR INVENTION ARE RESERVED.

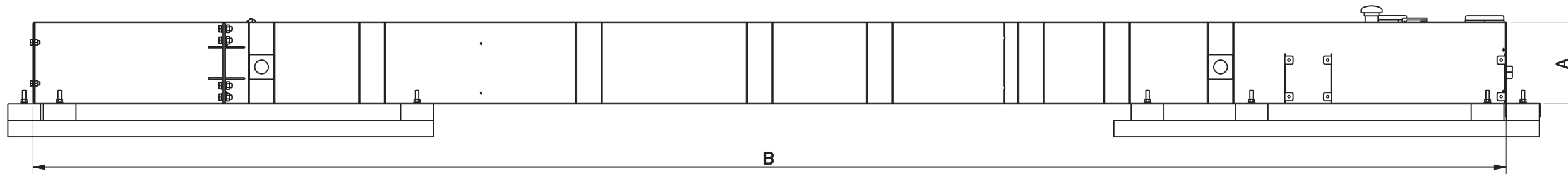
TITLE: DIMENSION PRINT, 500-600KW ENCLS & TANKS

SCALE: 0.40 CAD NO. SHEET 4 of 7

ADV-8417 D



12 HOUR STATE TANK SHOWN



2039 L [538 GAL.] 12 HOUR TANK SHOWN.

REFER TO SEISMIC ADV FOR IBC/OSHPD SEISMIC MOUNTING LOCATIONS

LITERS [GALLONS] MIN HOURS	TANK INFORMATION								WEIGHT KG [LBS]	JUNCTION BOX			
	A	B	P	Q	R	S	T	U		G			
										500-550 KW	600 KW		
2039 [538] 12 HOURS	381.0 [15.0]								1591 [3508]				
3930 [1038] 24 HOURS	660.4 [26.0]	6858.0 [270.0]	1578.2 [62.1]	1009.5 [39.7]	794.0 [31.3]	559.0 [22.0]	705.2 [27.8]	1812.1 [71.3]	1893 [4173]	1341.3 [52.8]	1176.2 [46.3]	1174.2 [46.2]	1009.1 [39.7]
5757 [1520] 36 HOURS	914.4 [36.0]								2177 [4800]				
7658 [2023] 48 HOURS		8458.2 [333.0]						3412.3 [134.3]	2680 [5908]				

12 - 48 HOUR 500-600KW REOZVB/C
GENSET & STATE TANKS WITH
SOUND OR WEATHER ENCLOSURE

ITEM	DESCRIPTION
9	PLUG, PIPE (2" NPT)
8	SWITCH, FUEL IN BASIN TOP MTD, 2"
7	VENT, NORMAL
6	GAUGE, FUEL LEVEL, DIRECT READ
5	RETURN, FUEL
4	SUPPLY, FUEL
3	GAUGE, FUEL LEVEL, W/ SENDER
2	FILL CAP, 2" LOCKABLE W/PIPE RISER
1	CAP, EMERGENCY VENT

REV	DATE	ON COMPOSITE DWGS. SEE PART NO. FOR REVISION LEVEL	BY
-	6-29-11	NEW DRAWING [91023-12]	JB2
A	3-19-12	(A-8) SEISMIC NOTE ADDED [CT08748]	DJV
B	1-10-13	SEE SHEET 1 [CT34883]	SDS
C	8-10-17	(B-5) ADD NOTE, SEE SHEET 1,2,4,6 [CT172496]	RMJ
D	11-25-19	SEE SHEET 1 & 3 [CT199135]	SRB
E	02MAY2023	SEE SHEET 3 [CT227188]	APM

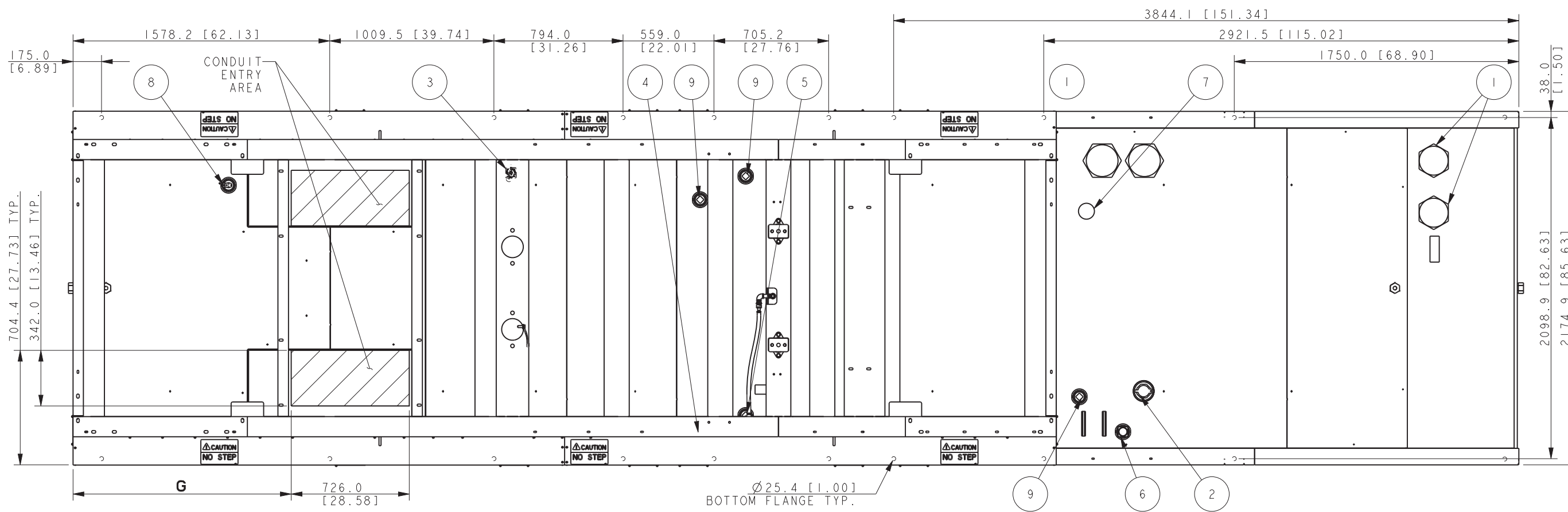
UNLESS OTHERWISE SPECIFIED -
DIMENSIONS ARE IN MILLIMETERS
GENERAL TOLERANCES : NA

KOHLER CO. METRIC PRO-E
POWER SYSTEMS, KOHLER, WI 53044 U.S.A.
THIS DRAWING IN DESIGN AND DETAIL IS KOHLER CO.
PROPERTY AND MUST NOT BE USED EXCEPT IN
CONNECTION WITH KOHLER CO. WORK. ALL RIGHTS OF
DESIGN OR INVENTION ARE RESERVED.

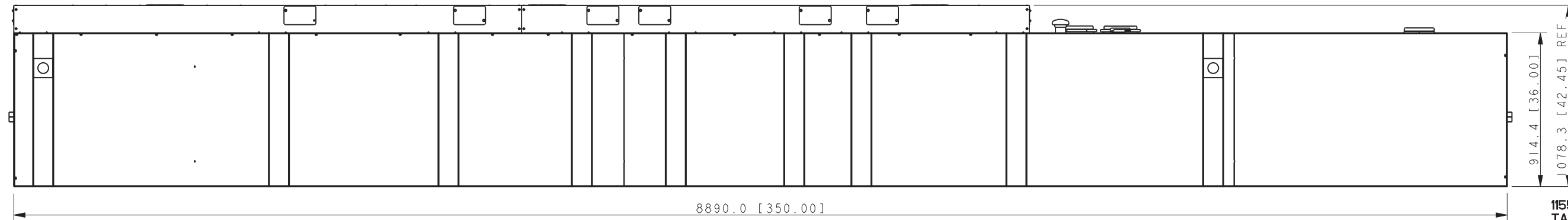
TITLE
DIMENSION PRINT, 500-600KW ENCLS & TANKS

SCALE 1.00 CAD NO. SHEET 5 of 7
DWG NO. **ADV-8417**

APPROVALS
DRAWN RJS 6-29-11
CHECKED RJS 6-29-11
APPROVED AJD 6-29-11



72 HOUR STATE TANK SHOWN



11554 L [3052 GAL.] 72 HOUR TANK SHOWN. WEIGHT: 4205 [9270]

REFER TO SEISMIC ADV FOR IBC/OSHPD SEISMIC MOUNTING LOCATIONS

JUNCTION BOX			
G		G	
500-550 KW		600 KW	
5M4024, 5M4027 5M4028, 5M4030 5M4162, 5M4270 5M4272	5M4032 5M4164	5M4030 5M4272	5M4032 5M4164 5M4272
1341.3 [52.8]	1176.2 [46.3]	1174.2 [46.2]	1009.1 [39.7]

72 HOUR 500-600KW REOZVB/C GENSET & STATE TANK WITH SOUND OR WEATHER ENCLOSURE

ITEM	DESCRIPTION
9	PLUG, PIPE (2" NPT)
8	SWITCH, FUEL IN BASIN TOP MTD, 2"
7	VENT, NORMAL
6	GAUGE, FUEL LEVEL, DIRECT READ
5	RETURN, FUEL
4	SUPPLY, FUEL
3	GAUGE, FUEL LEVEL, W/ SENDER
2	FILL CAP, 2" LOCKABLE W/PIPE RISER
1	CAP, EMERGENCY VENT

REV	DATE	ON COMPOSITE DWGS. SEE PART NO. FOR REVISION LEVEL	BY
-	6-29-11	NEW DRAWING [91023-12]	JB2
A	3-19-12	(A-8) SEISMIC NOTE ADDED [CT08748]	DJV
B	1-10-13	SEE SHEET 1 [CT34883]	SDS
C	8-10-17	(B-5) ADD NOTE, SEE SHEET 1,2,4,5 [CT172496]	RMJ
D	11-25-19	SEE SHEET 1 & 3 [CT199135]	SRB
E	02MAY2023	SEE SHEET 3 [CT227188]	APM

UNLESS OTHERWISE SPECIFIED - DIMENSIONS ARE IN MILLIMETERS GENERAL TOLERANCES: NA

KOHLER CO. METRIC PRO-E

POWER SYSTEMS, KOHLER, WI 53044 U.S.A. THIS DRAWING IN DESIGN AND DETAIL IS KOHLER CO. PROPERTY AND MUST NOT BE USED EXCEPT IN CONNECTION WITH KOHLER CO. WORK. ALL RIGHTS OF DESIGN OR INVENTION ARE RESERVED.

TITLE: **DIMENSION PRINT, 500-600KW ENCLS & TANKS**

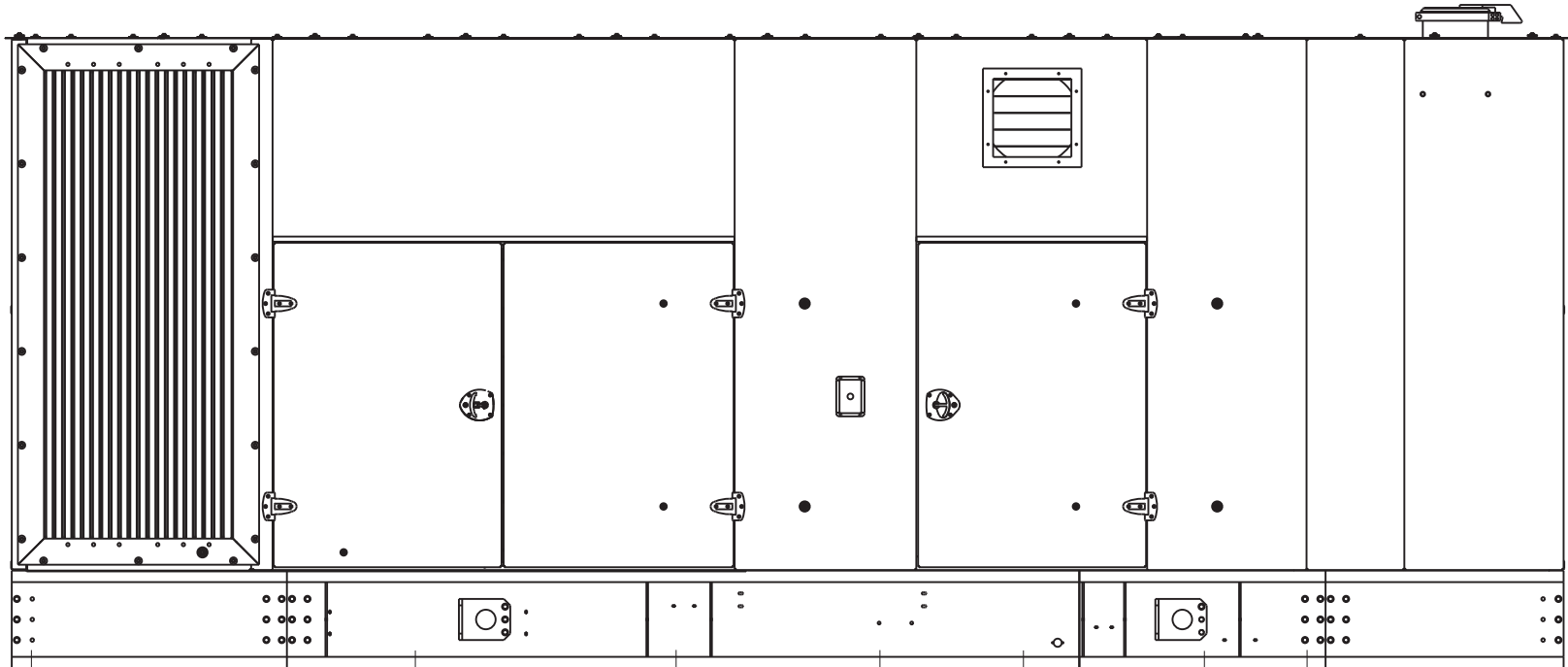
SCALE: 0.08 CAD NO. SHEET 6 of 7

ADV-8417 D

8 7 6 5 4 3 2 1

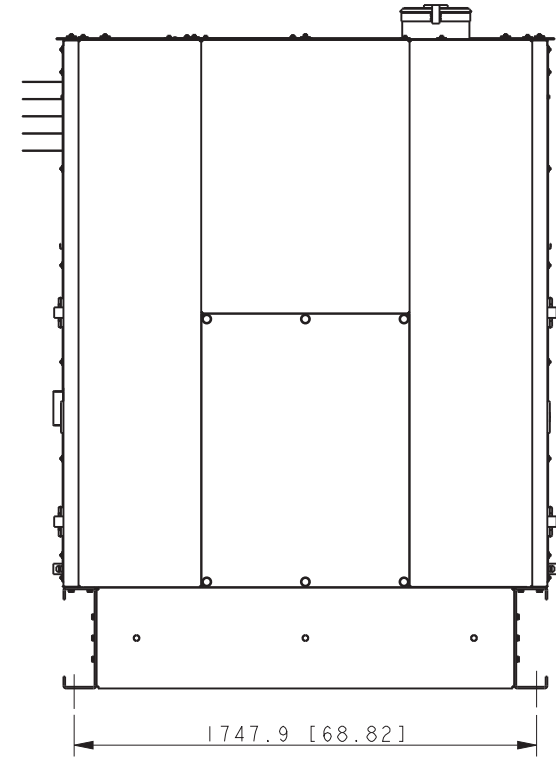
D
C
B
A

D
C
B
A



76.7 [3.02]
 1572.2 [61.90]
 2588.0 [101.89]
 3382.0 [133.15]
 3941.0 [155.16]
 4645.9 [182.91]
 5045.9 [198.66]

14 X Ø25.4 [1.00]



1747.9 [68.82]

NOTES:

FOR PROPER ASSEMBLY METHOD OF HARDWARE,
 USE G-585 AS A GUIDELINE.

500-600KW REOZVB/C
 STEEL/ALUM ENCL & TANKS
 SOUND & WEATHER

REV	DATE	ON COMPOSITE DWGS. SEE PART NO. FOR REVISION LEVEL	BY	UNLESS OTHERWISE SPECIFIED - DIMENSIONS ARE IN MILLIMETERS GENERAL TOLERANCES : NA
B	1-10-13	SEE SHEET 1 [CT34883]	SDS	
C	8-10-17	SEE SHEETS 1,2,4,5,6 [CT172496]	RMJ	
D	11-25-19	SEE SHEET 1 & 3 [CT199135]	SRB	
E	02MAY2023	SEE SHEET 3 [CT227188]	APM	

THIRD ANGLE PROJECTION	
APPROVALS	DATE
DRAWN SDS	1-10-13
CHECKED RJS	1-10-13
APPROVED AJD	1-10-13

KOHLER CO. METRIC PRO-E
 POWER SYSTEMS, KOHLER, WI 53044 U.S.A.
 THIS DRAWING IN DESIGN AND DETAIL IS KOHLER CO.
 PROPERTY AND MUST NOT BE USED EXCEPT IN
 CONNECTION WITH KOHLER CO. WORK. ALL RIGHTS OF
 DESIGN OR INVENTION ARE RESERVED.

TITLE
DIMENSION PRINT, 500-600KW ENCLS & TANKS

SCALE 0.05 CAD NO. SHEET 7 of 7
 DWG NO. **ADV-8417** D

8 7 6 5 4 3 2 1