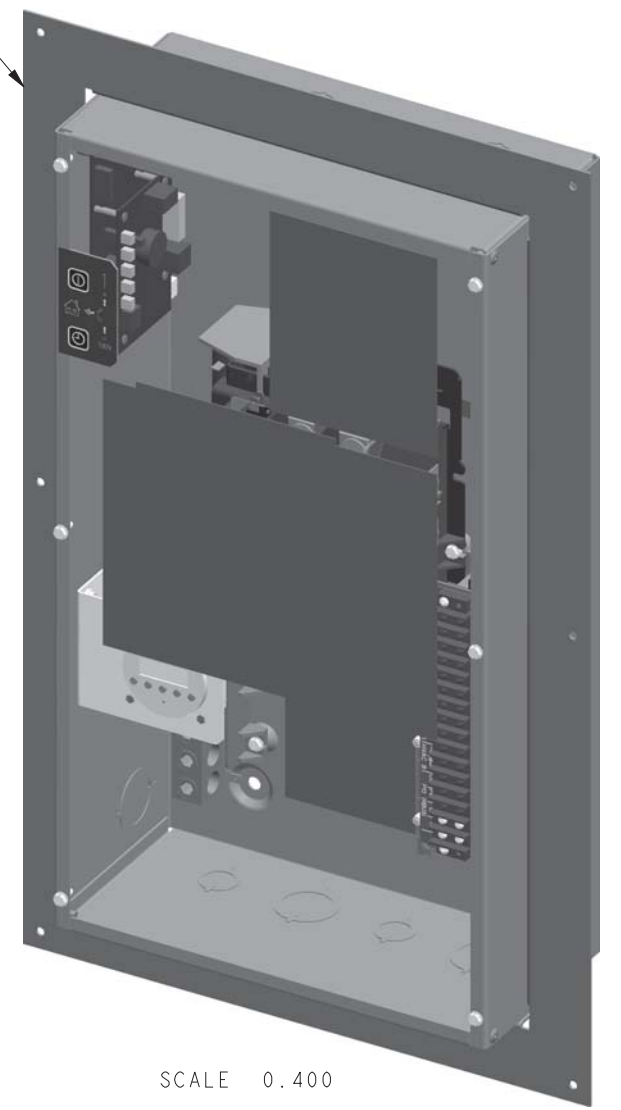


SWITCH RATING (AMPS)	A: SCREW TYPE TERMINALS FOR EXTERNAL POWER CONNECTION		
	RANGE OF AL-CU WIRE SIZES		
	CONTACTOR (PER PHASE)	NEUTRAL	GROUND
200	(1) #6 TO 250 KCMIL	(5) #12-250 KCMIL (Cu) (5) #10-250 KCMIL (Al)	(9) #14 TO #6 AWG (4) 1/0 TO #14 AWG

C: GROUND TORQUE		
	LARGE HOLE	SMALL HOLE
#14-10 AWG	35 lbf-in (4 Nm)	#14-10 AWG 15 lbf-in (1.7 Nm)
#8 AWG	40 lbf-in (4.5 Nm)	
#6-4 AWG	45 lbf-in (5.1 Nm)	
#2-1/0	50 lbf-in (5.6 Nm)	#8-6 AWG 25 lbf-in (2.8 Nm)

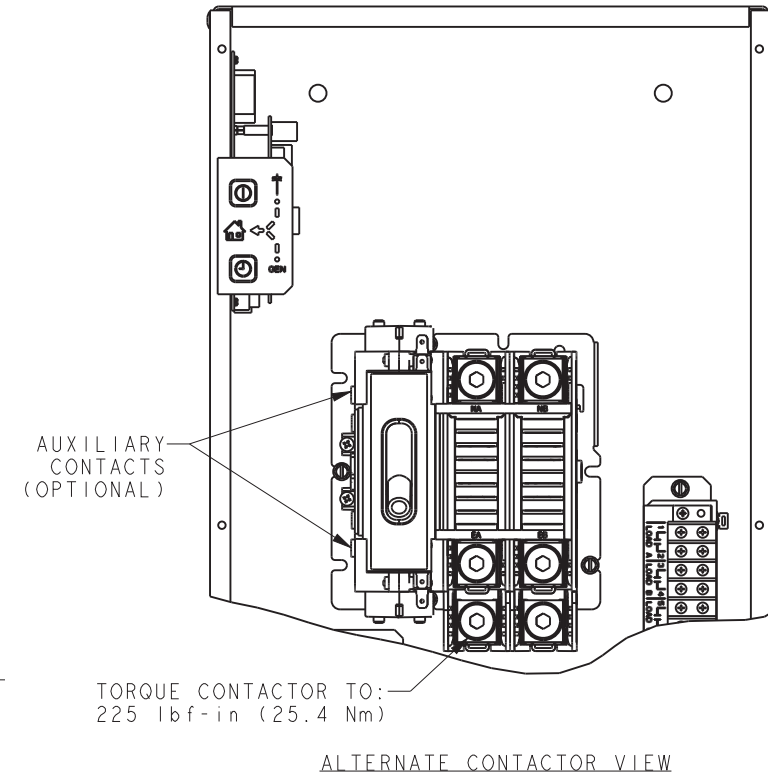
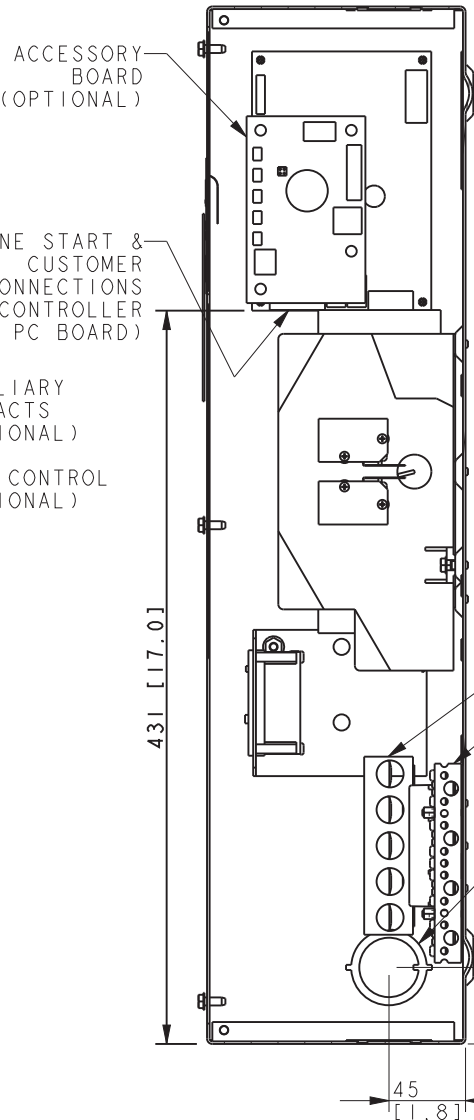
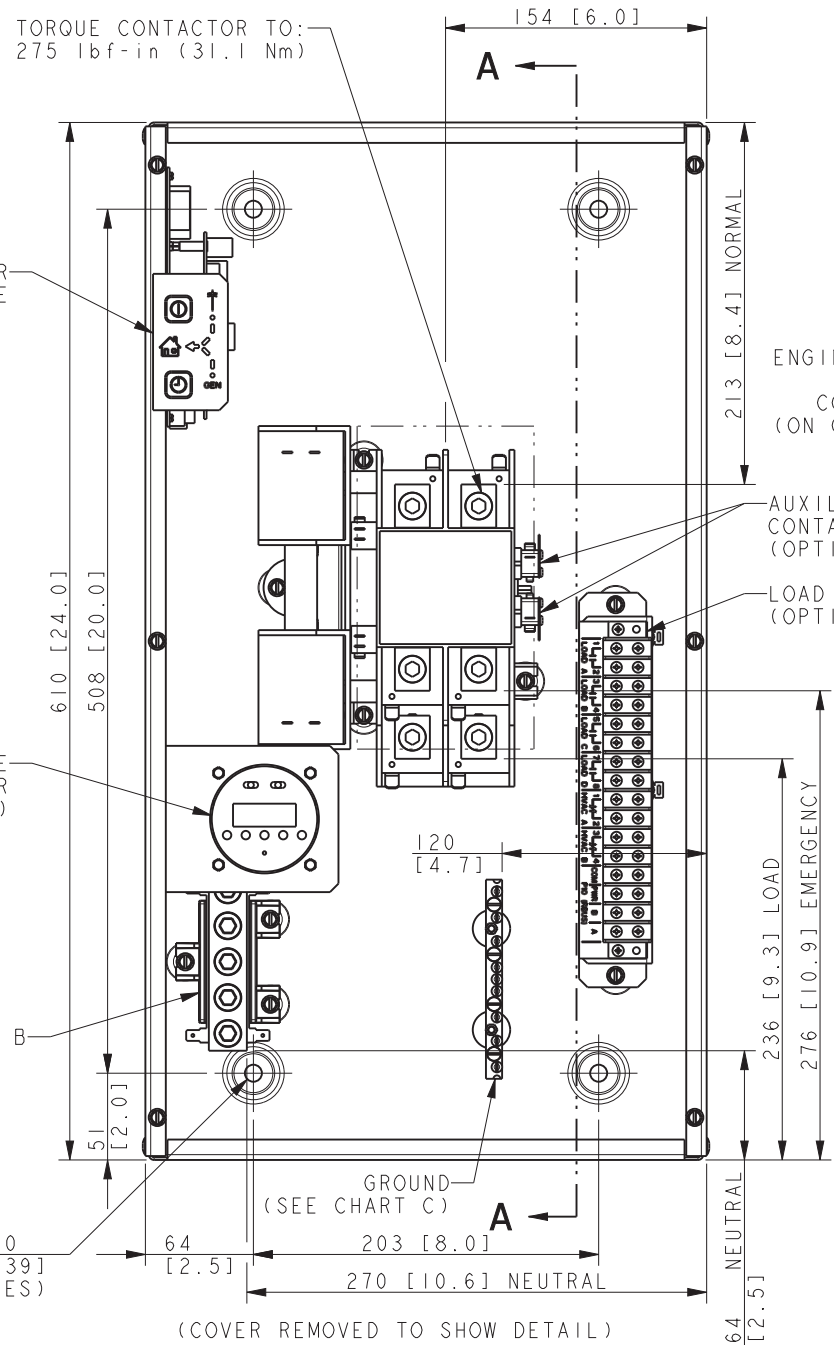
B: NEUTRAL TORQUE	
#14-10 AWG	60 lbf-in (6.8 Nm)
#8-3 AWG	120 lbf-in (13.6 Nm)
#2-2/0 AWG	240 lbf-in (27.1 Nm)
3/0-250 KCMIL	275 lbf-in (31.1 Nm)

BEZEL (OPTIONAL)



SCALE 0.400

NOTES:
DIMENSIONS IN [] ARE INCHES
FINISH: ANSI 49 GRAY
REFER TO OPERATOR'S MANUAL PRIOR TO INSTALLATION AND OPERATION OF UNIT.
APPROXIMATE WEIGHT: 7 Kg (15 LBS.)



SECTION A-A

REV	DATE	ON COMPOSITE DWGS. SEE PART NO. FOR REVISION LEVEL	BY	UNLESS OTHERWISE SPECIFIED - 1) DIMENSIONS ARE IN MILLIMETERS 2) TOLERANCES ARE:
A	6-18-13	(D-4) NEUTRAL CONNECTIONS UPDATED; (B-6) LOAD CONTROL OPTION SHOWN; [CT48126]	BTW	X.XX ± 0.25 X.X ± 1.0 X ± 1.5
B	8-13-14	(B-8) PROGRAMMABLE EXERCISER OPTION RELOCATED; [CT89842]	BTW	ANGLES ± 0° 30' SURFACE FINISH MAX.
C	10-6-17	(D-1) (9) #14 TO #6 AWG WAS (9) #14 TO #4 AWG, (4) 1/0 TO #14 AWG ADDED; ALTERNATE CONTACTOR VIEW ADDED; (D-2) NEUTRAL QTY. (5) WAS (3) 2 PLACES; [CT181683]	BTW	THIRD ANGLE PROJECTION
D	4-10-18	(D-2,5) TABLES B & C ADDED (A-7,8, B-3, C-8) NOTES ADDED & UPDATED [CT186584]	BTW	APPROVALS DATE DRAWN BTW 8-12-11 CHECKED BTW 8-12-11 APPROVED MTL 8-12-11

MODEL R
200A RESIDENTIAL ATS
MPAC 500 CONTROLLER
STANDARD TRANSITION
NEMA 1 ENCLOSURE

KOHLER CO. METRIC PRO-E	
POWER SYSTEMS, KOHLER, WI 53044 U.S.A. THIS DRAWING IN DESIGN AND DETAIL IS KOHLER CO. PROPERTY AND MUST NOT BE USED EXCEPT IN CONNECTION WITH KOHLER CO. WORK. ALL RIGHTS OF DESIGN OR INVENTION ARE RESERVED.	
TITLE DIMENSION PRINT	
SCALE 0.45 CAD NO.	SHEET 1 of 1
DWG NO. ADV-8438	