

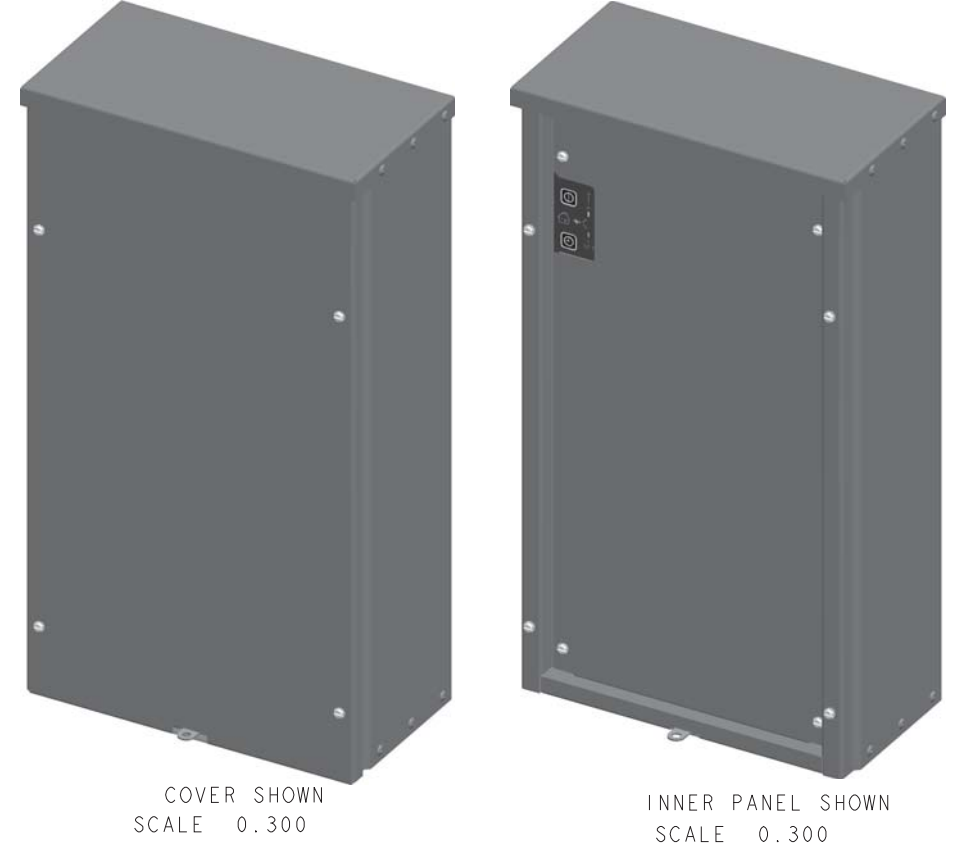
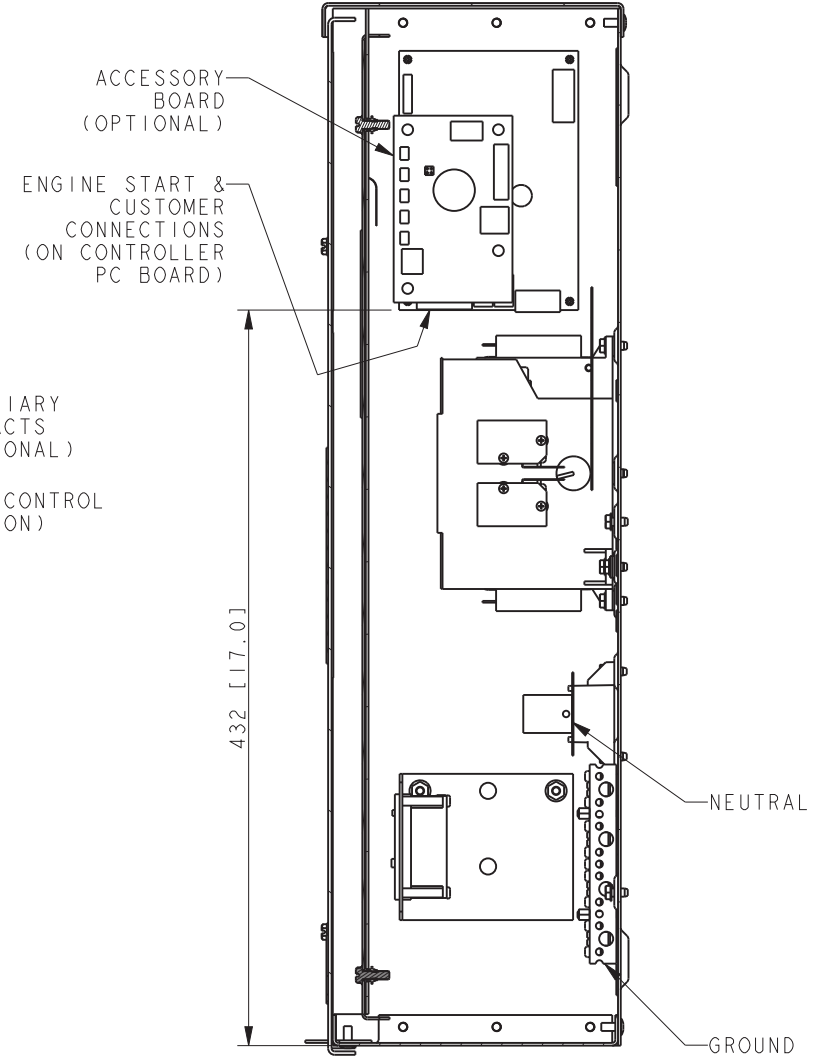
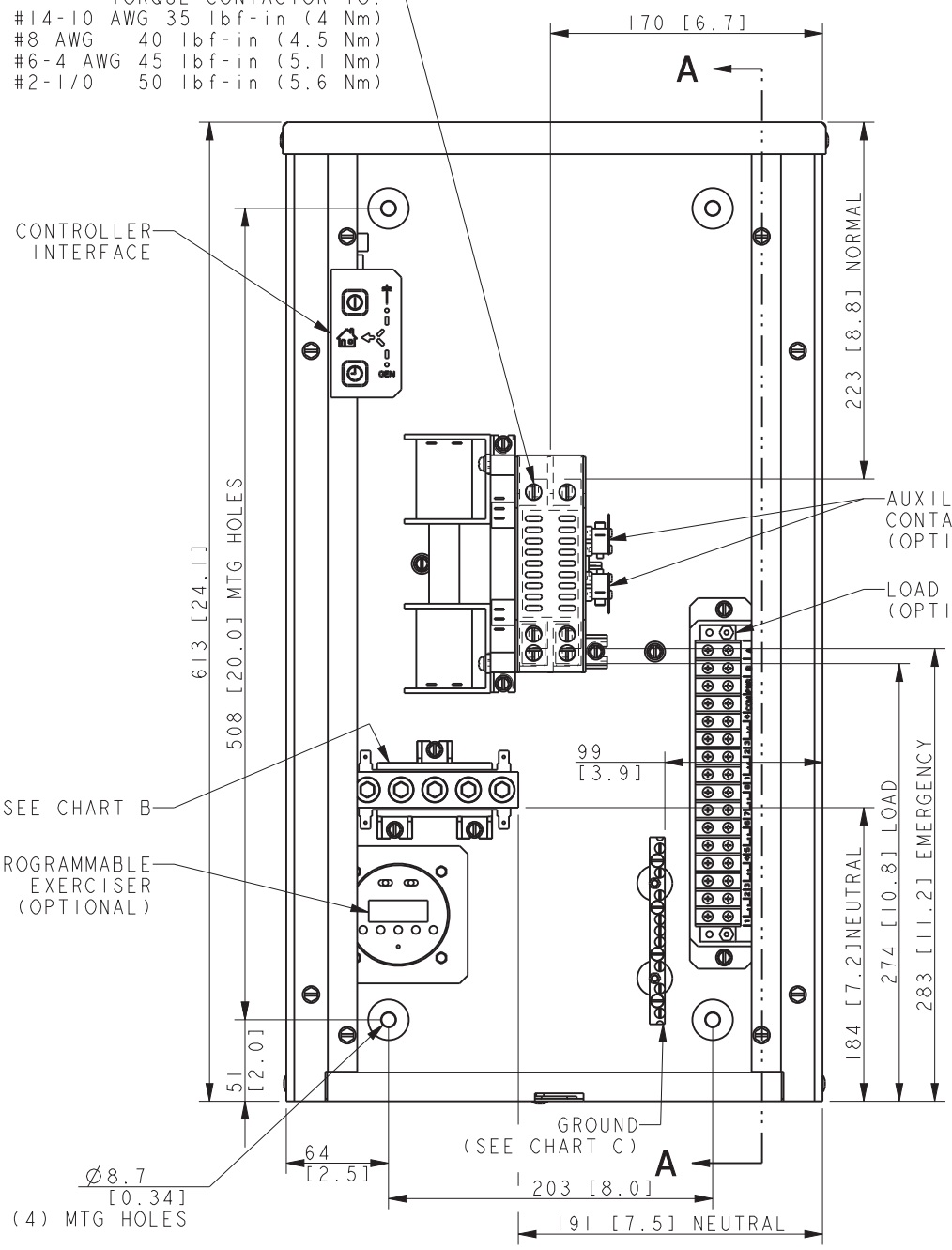
A: SCREW TYPE TERMINALS FOR EXTERNAL POWER CONNECTION			
SWITCH RATING (AMPS)	RANGE OF AL-CU WIRE SIZES		
	CONTACTOR (PER PHASE)	NEUTRAL	GROUND
100	(1) #14-1/0 AWG	(5) #12-250 KCMIL (Cu) OR (5) #10-250 KCMIL (Al)	(9) #14-#6 AWG (4) 1/0-#14 AWG

B: NEUTRAL TORQUE	
#14-10 AWG	60 lbf-in (6.8 Nm)
#8-3 AWG	120 lbf-in (13.6 Nm)
#2-2/0 AWG	240 lbf-in (27.1 Nm)
3/0-250 KCMIL	275 lbf-in (31.1 Nm)

C: GROUND TORQUE		
	LARGE HOLE	SMALL HOLE
#14-10 AWG	35 lbf-in (4 Nm)	#14-10 AWG 15 lbf-in (1.7 Nm)
#8 AWG	40 lbf-in (4.5 Nm)	
#6-4 AWG	45 lbf-in (5.1 Nm)	
#2-1/0	50 lbf-in (5.6 Nm)	#8-6 AWG 25 lbf-in (2.8 Nm)

TORQUE CONTACTOR TO:	
#14-10 AWG	35 lbf-in (4 Nm)
#8 AWG	40 lbf-in (4.5 Nm)
#6-4 AWG	45 lbf-in (5.1 Nm)
#2-1/0	50 lbf-in (5.6 Nm)

TORQUE CONTACTOR TO:	
#14-10 AWG	50 lbf-in (5.6 Nm)
#8-1/0	120 lbf-in (14 Nm)



NOTES:  
 DIMENSIONS IN [ ] ARE INCHES.  
 FINISH: ANSI 49 GRAY  
 REFER TO OPERATOR'S MANUAL PRIOR TO INSTALLATION AND OPERATION OF UNIT.  
 APPROXIMATE WEIGHT: 7 Kg (15 LBS.)

REV	DATE	ON COMPOSITE DWGS. SEE PART NO. FOR REVISION LEVEL	BY	UNLESS OTHERWISE SPECIFIED - 1) DIMENSIONS ARE IN MILLIMETERS 2) TOLERANCES ARE:	APPROVALS	DATE	TITLE
B	8-13-14	(B-8) PROGRAMMABLE EXERCISER OPTION RELOCATED; [CT89842]	BTW	X.XX ± 0.25 X.X ± 1.0 X ± 1.5	BTW	8-15-11	<b>KOHLER CO. METRIC PRO-E</b> POWER SYSTEMS, KOHLER, WI 53044 U.S.A. THIS DRAWING IN DESIGN AND DETAIL IS KOHLER CO. PROPERTY AND MUST NOT BE USED EXCEPT IN CONNECTION WITH KOHLER CO. WORK. ALL RIGHTS OF DESIGN OR INVENTION ARE RESERVED. <b>DIMENSION, PRINT</b> SCALE 0.45 CAD NO. SHEET 1 of 1 <b>ADV-8440</b>
C	6-7-16	LOGO & DECAL REMOVED; [CT148955]	BTW	ANGLES ± 0° 30' MAX.	BTW	8-15-11	
D	10-6-17	(D-2) NEUTRAL QTY (5) WAS (3) (2 PLACES); (D-1) (9) #14-#6AWG WAS (9) #14-#4AWG, (4) 1/0-#14AWG ADDED; (D-5) ALTERNATE CONTACTOR VIEW ADDED; [CT181683]	BTW	THIRD ANGLE PROJECTION	BTW	8-15-11	
E	4-10-18	(D-2,3) TABLES ADDED (A-7, B-8, C-4,8) NOTES ADDED & UPDATED [CT186584]	RMJ		BTW	8-15-11	
					MTL	8-15-11	

MODEL R  
 100A RESIDENTIAL ATS  
 MPAC 500 CONTROLLER  
 STANDARD TRANSITION  
 NEMA 3R ENCLOSURE

(COVER & INNER PANEL REMOVED TO SHOW DETAIL)