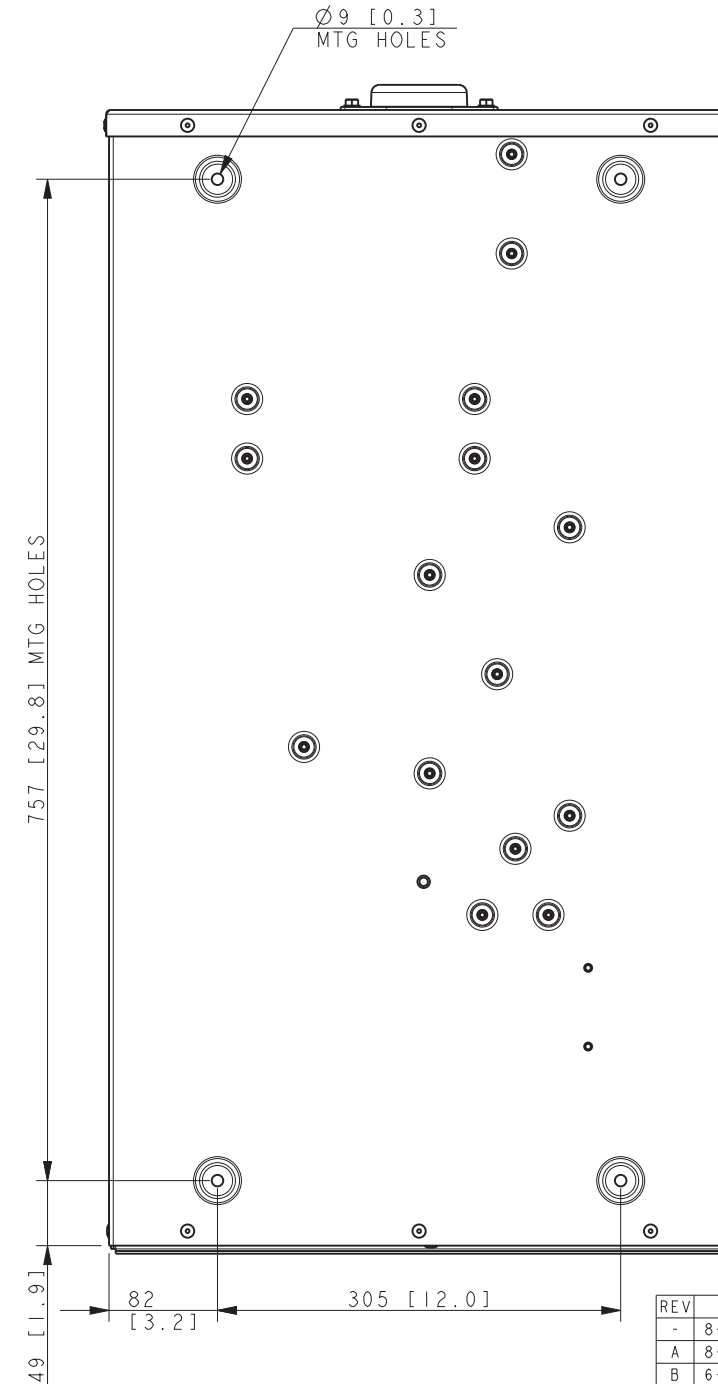
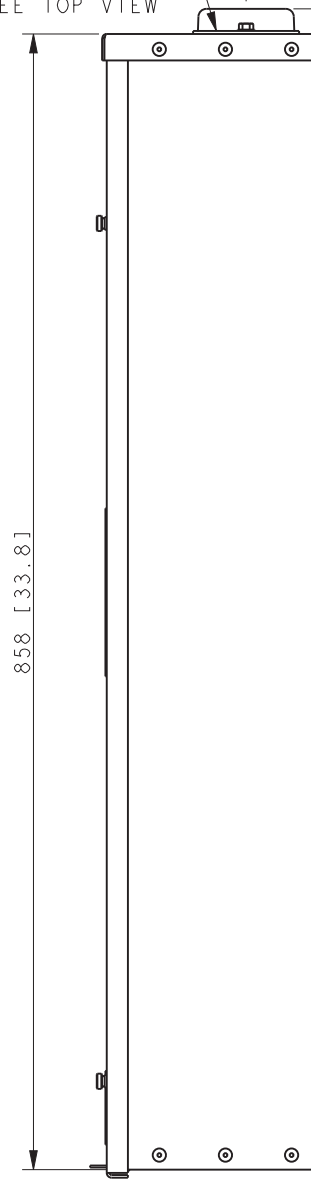
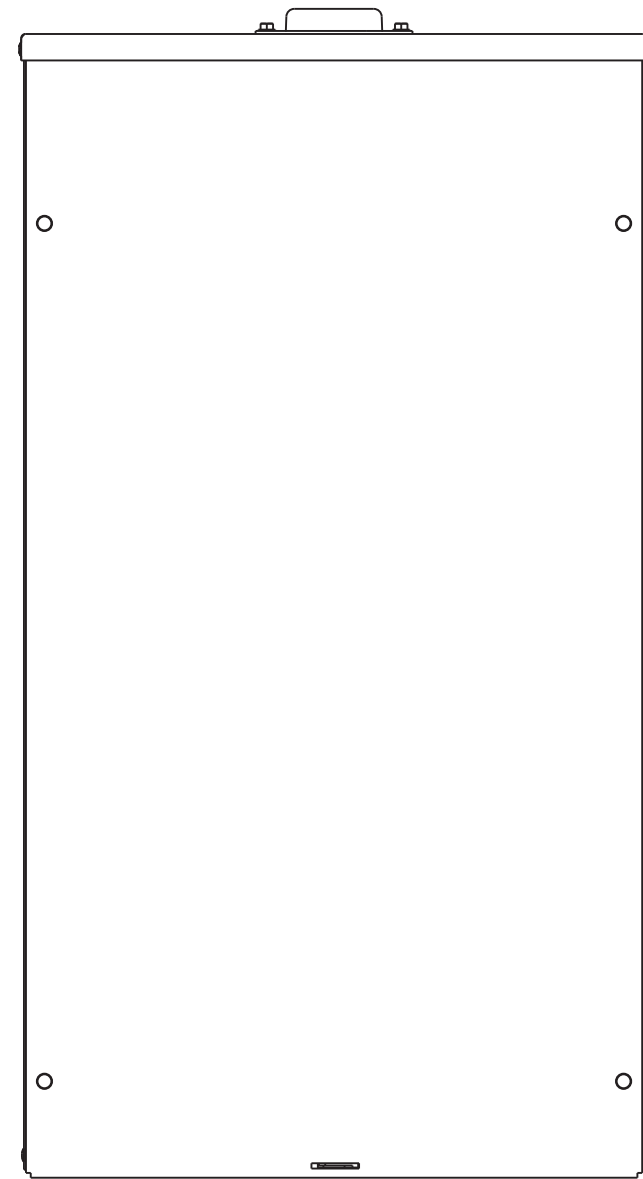


RAIN TIGHT
HUB FLANGE
(CAP INCLUDED)
(NOT SHOWN)
SEE TOP VIEW

54 [2.1]

19 [0.7]



NOTES:
DIMENSIONS IN [] ARE INCHES
FINISH: ANSI 49 GRAY
REFER TO OPERATOR MANUAL PRIOR TO INSTALLATION AND OPERATION OF UNIT
APPROXIMATE WEIGHT: 12 Kg (26 LBS.)
SERVICE DISCONNECT BREAKER IS 200A 80% RATED. CONTINUOUS LOAD CURRENT IS NOT TO EXCEED 80% OF BREAKER RATING.

200A SERVICE ENTRANCE
MPAC 500 CONTROLLER
NEMA 3R ENCLOSURE

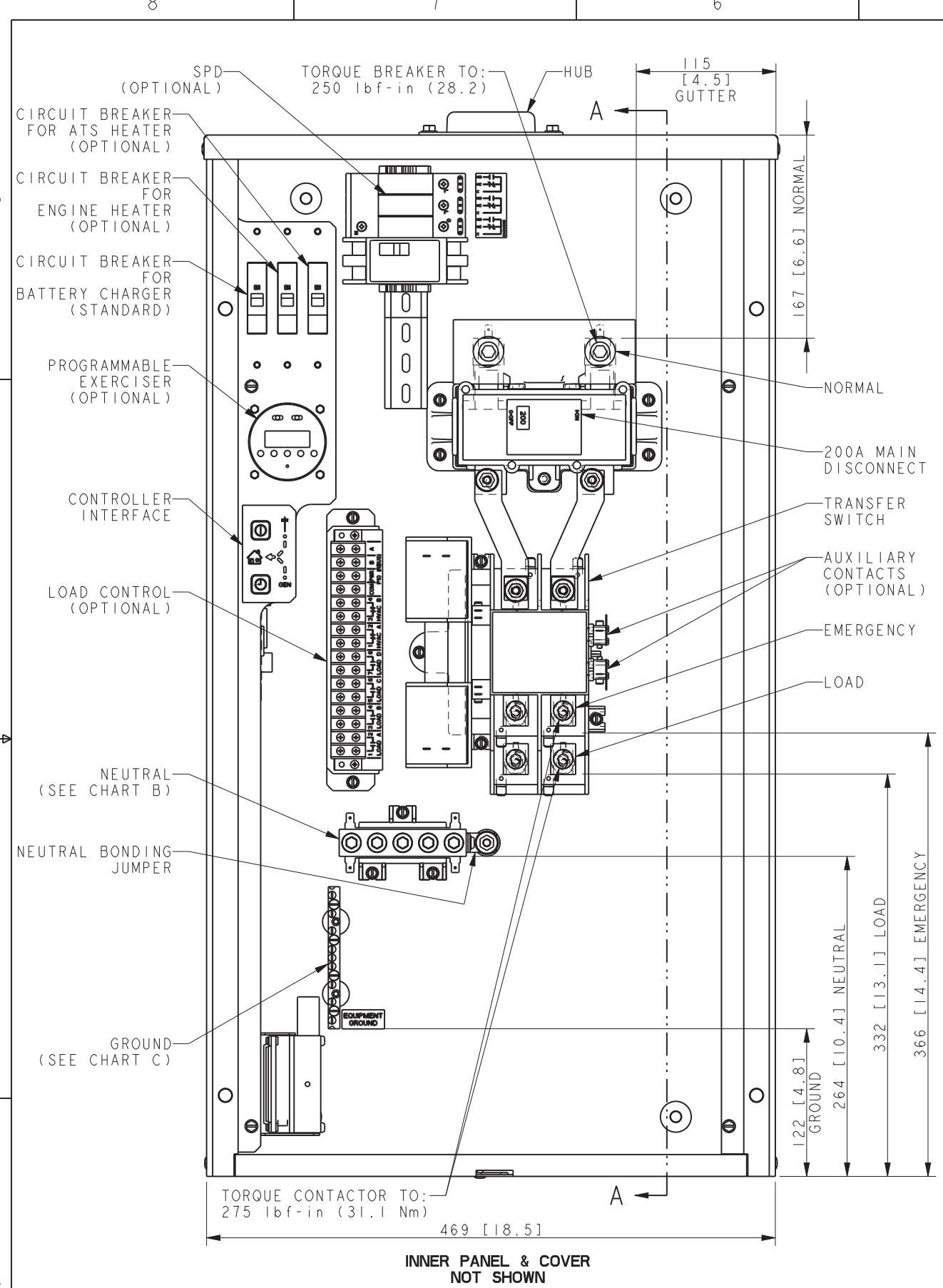
REV	DATE	ON COMPOSITE DWGS. SEE PART NO. FOR REVISION LEVEL	BY	UNLESS OTHERWISE SPECIFIED - 1) DIMENSIONS ARE IN MILLIMETERS 2) TOLERANCES ARE:
-	8-16-11	NEW DRAWING [90714-4]	BTW	X.XX ± 0.25
A	8-13-12	SEE SHEET 2 [CT20008]	BTW	X.X ± 1.0
B	6-18-13	SEE SHEET 2 [CT48126]	BTW	X ± 1.5
C	10-9-17	SEE SHEET 2 [CT181683]	BTW	ANGLES ± 0° 30' MAX.
D	4-10-18	SEE SHEET 2 [CT186584]	RMJ	THIRD ANGLE PROJECTION

APPROVALS	DATE
DRAWN BTW	8-16-11
CHECKED BTW	8-16-11
APPROVED MTL	8-16-11

KOHLER CO. METRIC PRO-E
POWER SYSTEMS, KOHLER, WI 53044 U.S.A.
THIS DRAWING IN DESIGN AND DETAIL IS KOHLER CO. PROPERTY AND MUST NOT BE USED EXCEPT IN CONNECTION WITH KOHLER CO. WORK. ALL RIGHTS OF DESIGN OR INVENTION ARE RESERVED.

TITLE
DIMENSION PRINT

SCALE 0.35 CAD NO. SHEET 1 of 2
DWG NO. **ADV-8444** D

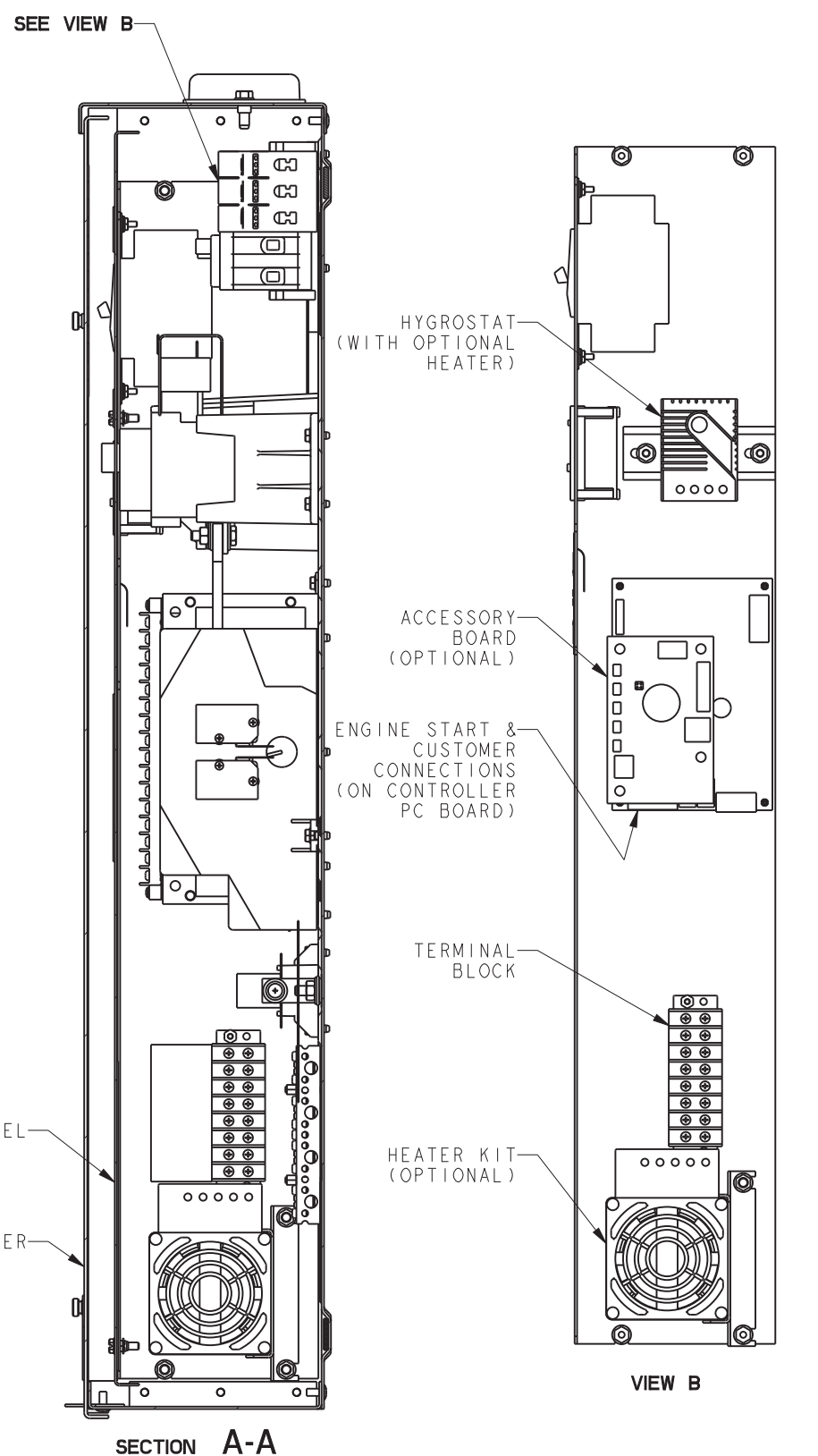
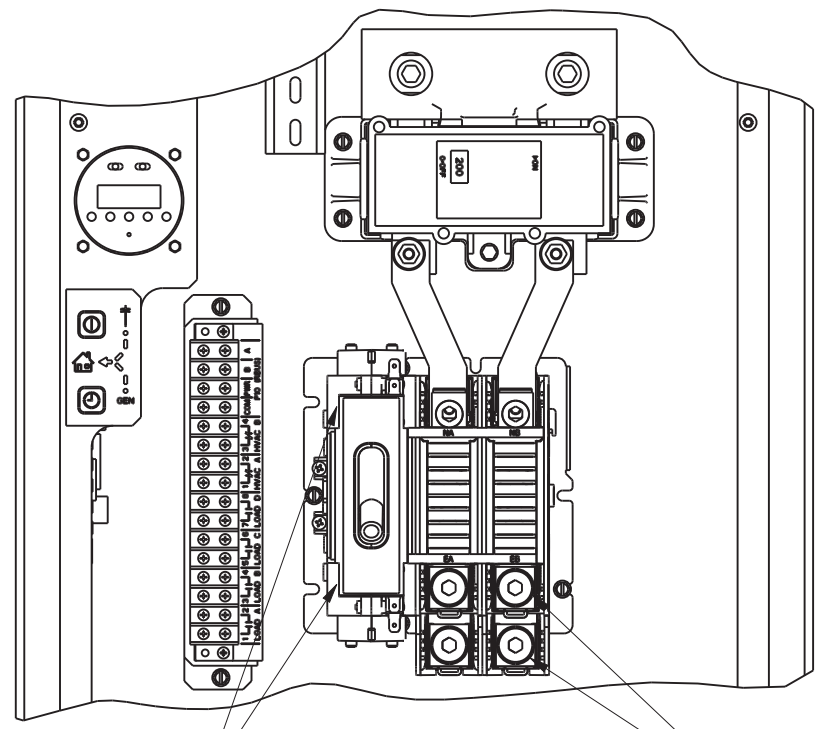


C: GROUND TORQUE

	LARGE HOLE	SMALL HOLE
#14-10 AWG	35 lbf-in (4 Nm)	#14-10 AWG 15 lbf-in (1.7 Nm)
#8 AWG	40 lbf-in (4.5 Nm)	
#6-4 AWG	45 lbf-in (5.1 Nm)	
#2-1/0	50 lbf-in (5.6 Nm)	#8-6 AWG 25 lbf-in (2.8 Nm)

B: NEUTRAL TORQUE

#14-10 AWG	60 lbf-in (6.8 Nm)
#8-3 AWG	120 lbf-in (13.6 Nm)
#2-2/0 AWG	240 lbf-in (27.1 Nm)
3/0-250 KCMIL	275 lbf-in (31.1 Nm)



A: SCREW TYPE TERMINALS FOR EXTERNAL POWER CONNECTION

SWITCH RATING (AMPS)	RANGE OF AL-CU WIRE SIZES			
	NORMAL (PER PHASE)	EMERGENCY / LOAD (PER PHASE)	NEUTRAL	GROUND
200	(1) #4-300 KCMIL	(1) #6 TO 250 KCMIL	(5) #12-250 KCMIL (Cu) OR (5) #10-250 KCMIL (Al)	(4) #14-1/0 AWG (9) #6-#14 AWG

200A SERVICE ENTRANCE
MPAC 500 CONTROLLER
NEMA 3R ENCLOSURE

REV	DATE	ON COMPOSITE DWGS. SEE PART NO. FOR REVISION LEVEL	BY	UNLESS OTHERWISE SPECIFIED - 1) DIMENSIONS ARE IN MILLIMETERS 2) TOLERANCES ARE:
-	8-16-11	NEW DRAWING [90714-4]	BTW	X.XX ± 0.25 X.X ± 1.0 X ± 1.5
A	8-13-12	(C-6) CONTACTOR VIEW UPDATED; [CT20008]	BTW	ANGLES ± 0° 30' MAX.
B	6-18-13	(A-8) WIRE SIZE CHART ADDED; (C-7) LOAD CONTROL OPTION ADDED TO VIEW; [CT48126]	BTW	THIRD ANGLE PROJECTION
C	10-9-17	(A-6) NEUTRAL QTY (5) WAS (3) (2 PLACES); (C-4) OPTIONAL CONTACTOR VIEW ADDED; [CT181683]	BTW	APPROVALS
D	4-10-18	(D-4,7) TABLES B & C ADDED (A-7, B-4,8) NOTES ADDED & UPDATES [CT186584]	RMJ	CHECKED
				DATE
				8-16-11
				8-16-11
				8-16-11

KOHLER CO. METRIC PRO-E

POWER SYSTEMS, KOHLER, WI 53044 U.S.A.
THIS DRAWING IN DESIGN AND DETAIL IS KOHLER CO. PROPERTY AND MUST NOT BE USED EXCEPT IN CONNECTION WITH KOHLER CO. WORK. ALL RIGHTS OF DESIGN OR INVENTION ARE RESERVED.

DIMENSION PRINT

SCALE 0.45 CAD NO. SHEET 2 of 2
DWG NO. **ADV-8444**