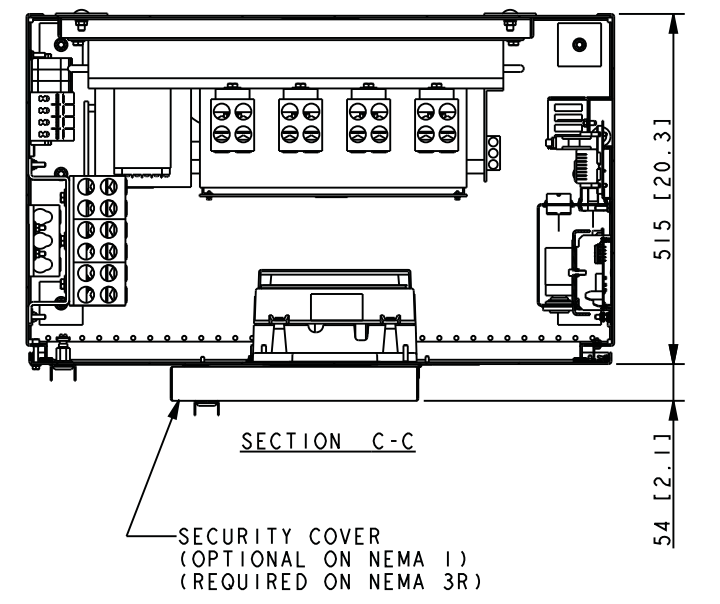
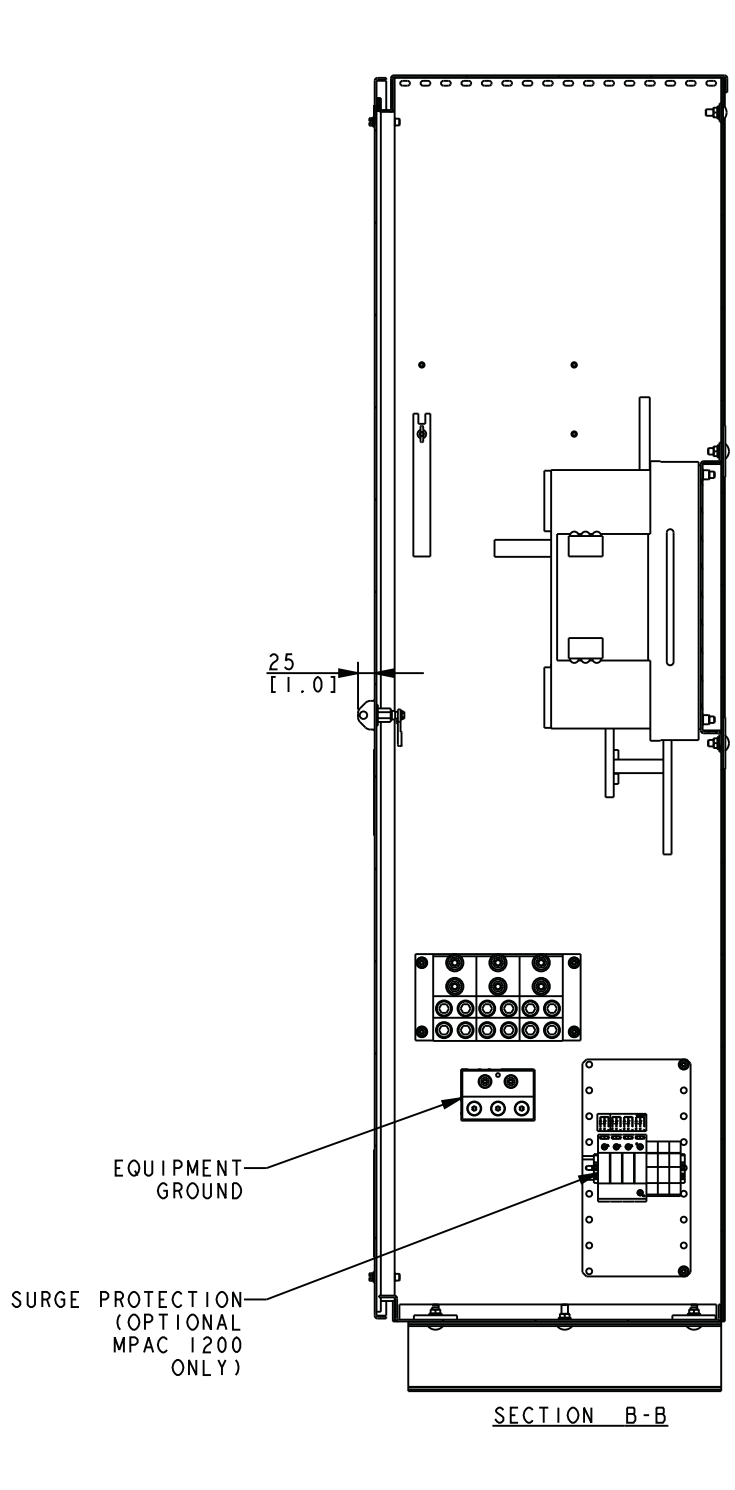
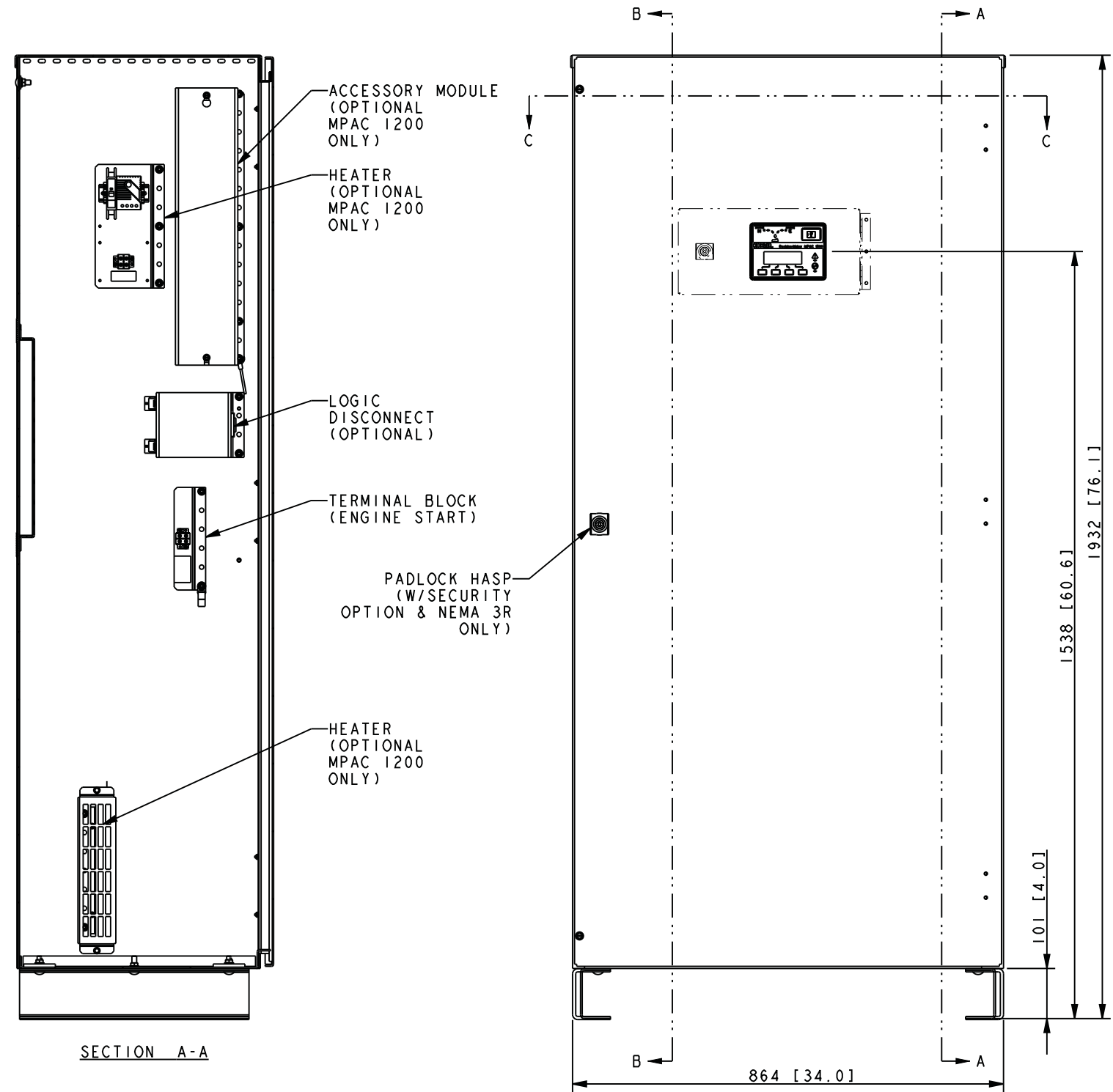


**SEISMIC MOUNTING NOTE:**  
 FOR SEISMIC CERTIFIED UNITS,  
 MOUNT WITH THE FOLLOWING HARDWARE:  
**WALL MOUNTED (STEEL)**  
 Ø9.53 [0.375] Dia. SAE GRADE 1 / ASTM A307 BOLTS.  
**WALL MOUNTED (CONCRETE)**  
 Ø9.53 [0.375] Dia. HILTI KWIK BOLT TZ-CS WITH MIN.  
 EMBEDMENT 50.8 [2.00]; EDGE DISTANCE OF 101.6 [4.00]  
 ON A 101.6 [4.00] THICK 4000 PSI CONCRETE WALL.  
 HARDWARE TO COMPLY WITH SPECIFICATIONS  
 ON ADV-7456.



NOTE:  
 ALLOW FOR MINIMUM DOOR  
 SWING CLEARANCE OF 864 [34.0]  
 IN FRONT OF THE CABINET.

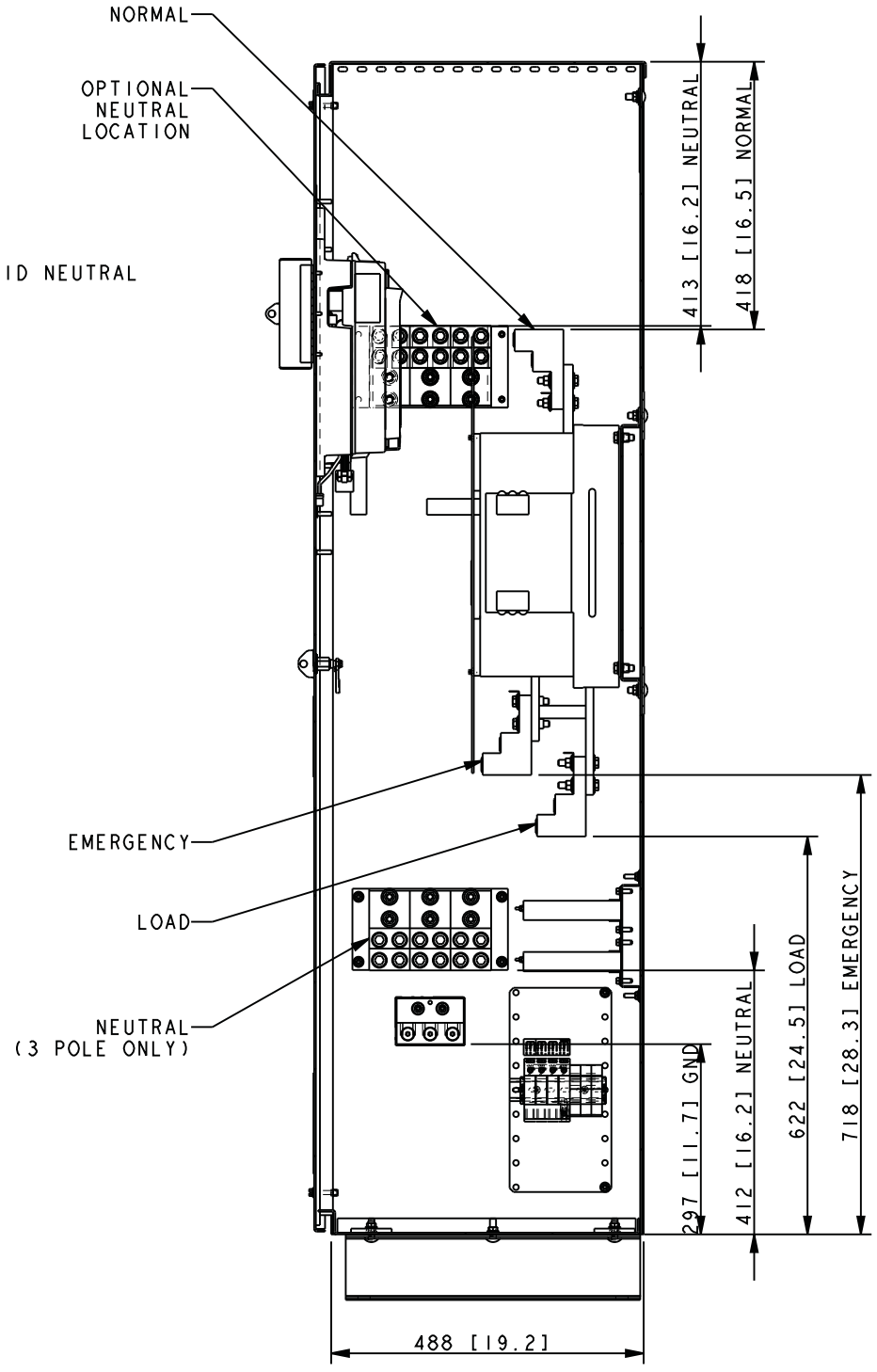
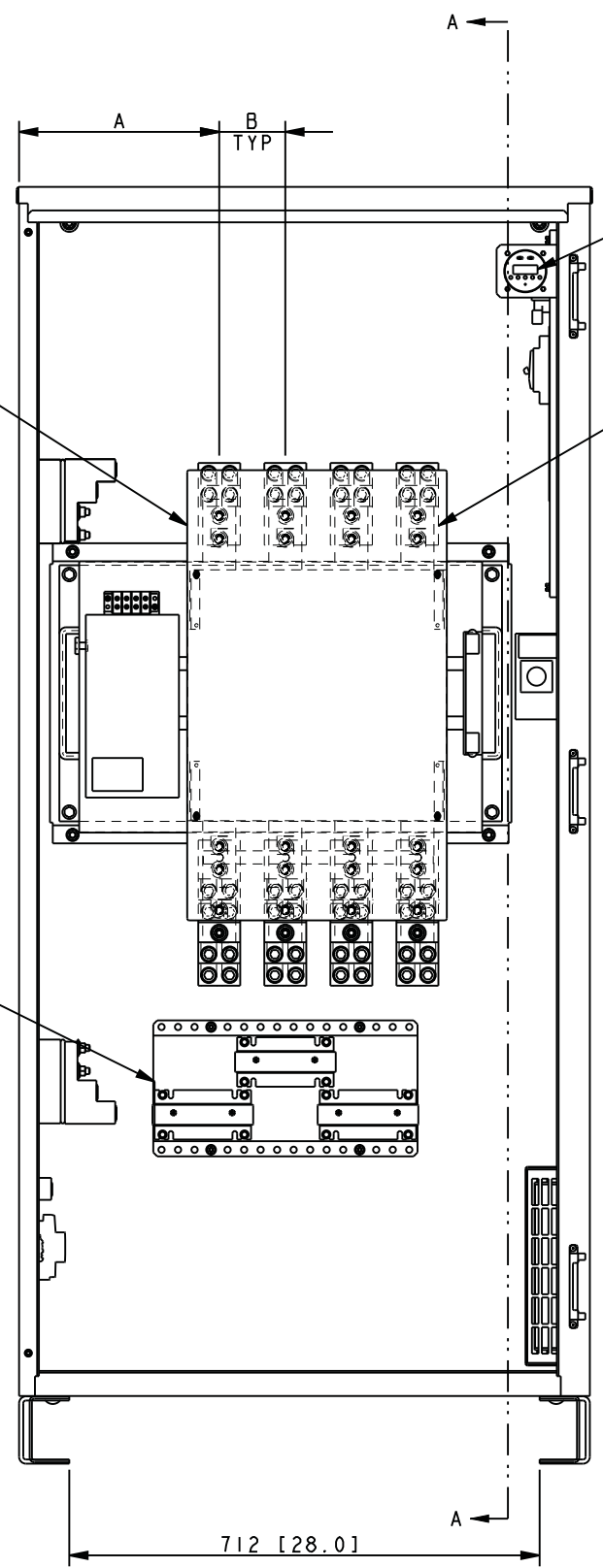
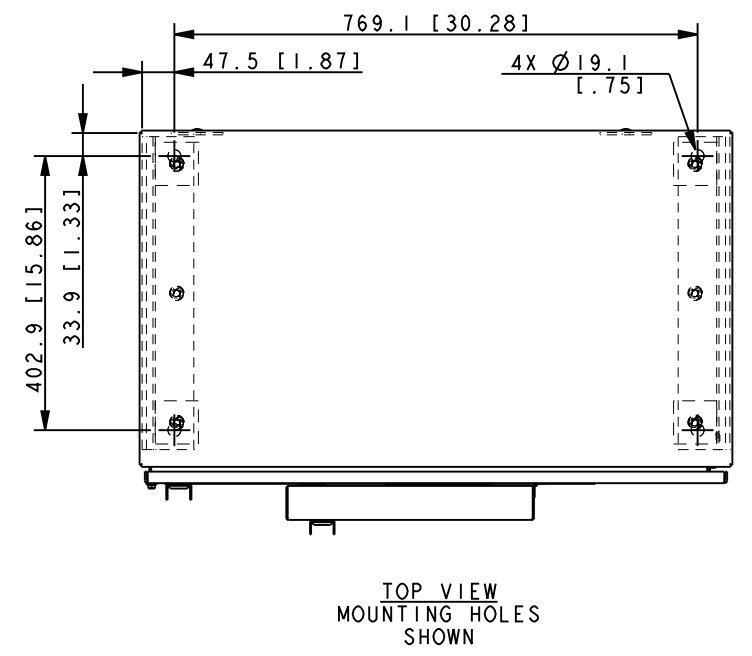
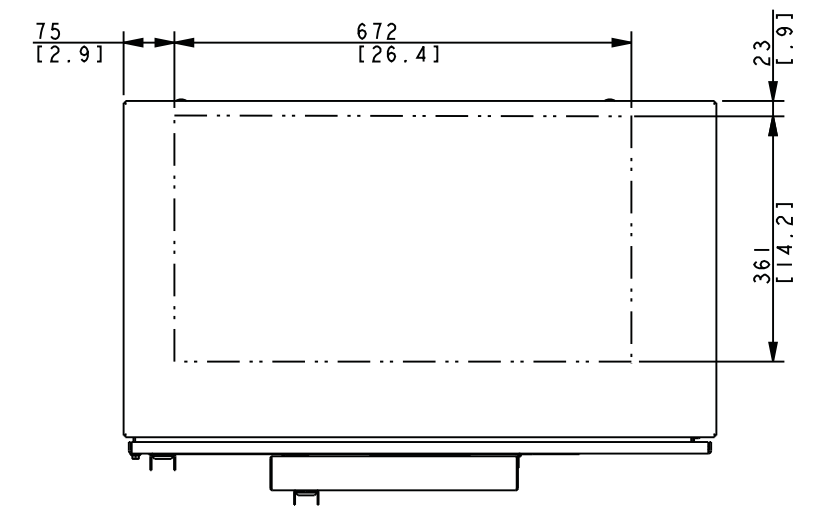
NOTES:  
 DIMENSIONS IN [ ] ARE INCHES.  
 FINISH - ANSI 49 GRAY.  
 REFER TO OPERATORS MANUAL PRIOR TO  
 INSTALLATION AND OPERATION OF SWITCH.  
 FOR SEISMIC CERTIFIED UNITS, REFER TO  
 ADV-7456 AND INSTALLATION INSTRUCTIONS.

SEE ADV-8565 FOR FULL MODEL CODE DEFINITION

STYLE	MECHANISM	TRANSITION	MPAC LOGIC	VOLTS	POLES	NEUTRAL	ENCLOSURE	AMPS	CONNECTION
KSS	SPECIFIC	STANDARD	750, 1200	208-480	3, 4	SOLID, SW	1, 3R	800, 1000	STANDARD

REV	DATE	REVISION	BY	UNLESS OTHERWISE SPECIFIED - 1) DIMENSIONS ARE IN MILLIMETERS 2) TOLERANCES ARE:	TITLE
-	8-23-13	NEW DRAWING [CT54441]	BTW	X.XX X.X X	<b>KOHLER CO.</b> METRIC PRO-E POWER SYSTEMS, KOHLER, WI 53044 U.S.A. THIS DRAWING IN DESIGN AND DETAIL IS KOHLER CO. PROPERTY AND MUST NOT BE USED EXCEPT IN CONNECTION WITH KOHLER CO. WORK. ALL RIGHTS OF DESIGN OR INVENTION ARE RESERVED.
				SURFACE FINISH MAX.	DIMENSION PRINT
				THIRD ANGLE PROJECTION	SCALE: CAD NO. SHEET 1 of 2
				APPROVALS DATE	ADV-8592 D
				DRAWN BTW 8-23-13	
				CHECKED BTW 8-23-13	
				APPROVED MTL 8-23-13	

AMPERAGE	POLE	A	B
800	3	293 [11.5]	80 [3.2]
	4		
1000	3	303 [11.9]	100 [3.9]
	4		



SECTION A-A

NOTE: 4 POLE UNIT SHOWN.

WEIGHT IN Kg [LBS]			
AMPS	3 POLE	4 POLE	
800	226 [498]	236 [520]	
1000	231 [509]	241 [531]	

SCREW TYPE TERMINALS FOR EXTERNAL POWER CONNECTION			
SWITCH RATING (AMPS)	RANGE OF AL-CU WIRE SIZES		
	CONTACTOR (PER PHASE)	NEUTRAL (3 POLE)	GROUND
800	(2) 1/0 - 750 KCMIL	(12) #2 - 600 KCMIL	(3) #4 - 600 KCMIL
1000	(4) #2 - 600 KCMIL		OR (6) 1/0 - 250 KCMIL

REV	DATE	REVISION	BY
-	8-23-13	NEW DRAWING [CT54441]	BTW

APPROVALS	DATE
BTW	8-23-13
BTW	8-23-13
MTL	8-23-13

**KOHLER CO.** METRIC PRO-E  
 POWER SYSTEMS, KOHLER, WI 53044 U.S.A.  
 THIS DRAWING IN DESIGN AND DETAIL IS KOHLER CO. PROPERTY AND MUST NOT BE USED EXCEPT IN CONNECTION WITH KOHLER CO. WORK. ALL RIGHTS OF DESIGN OR INVENTION ARE RESERVED.

TITLE: DIMENSION PRINT

SCALE: CAD NO. SHEET 2 of 2  
 Dwg No. ADV-8592 D