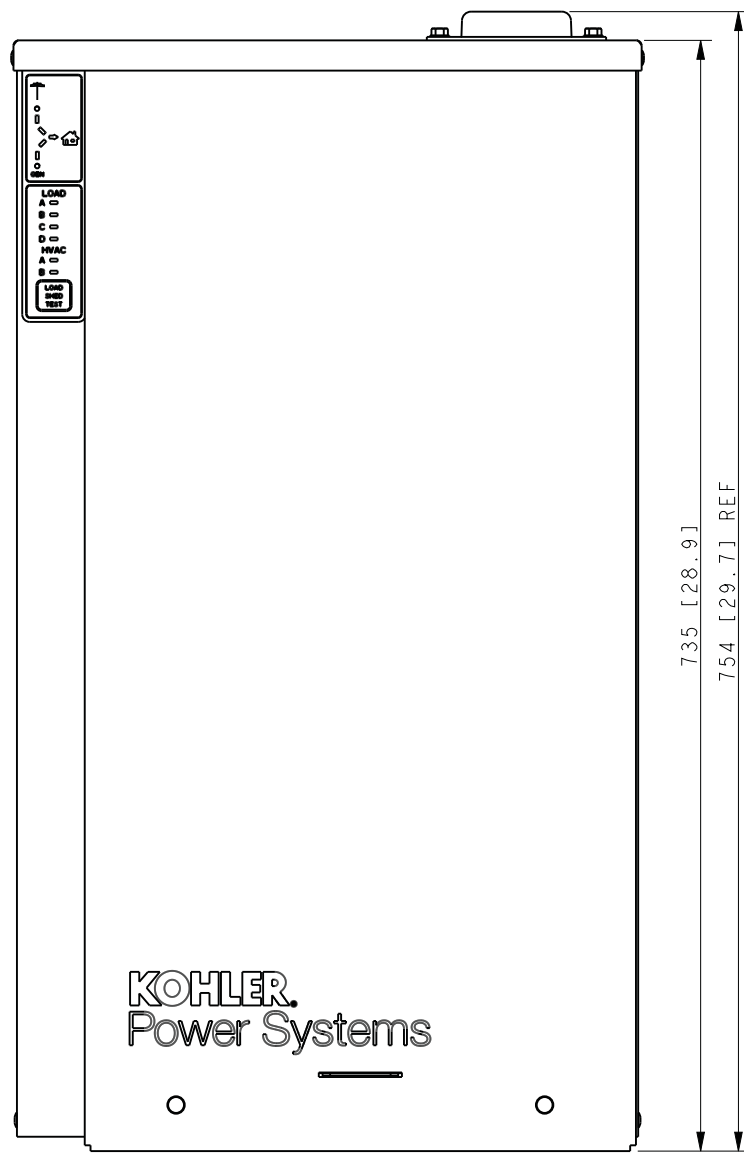
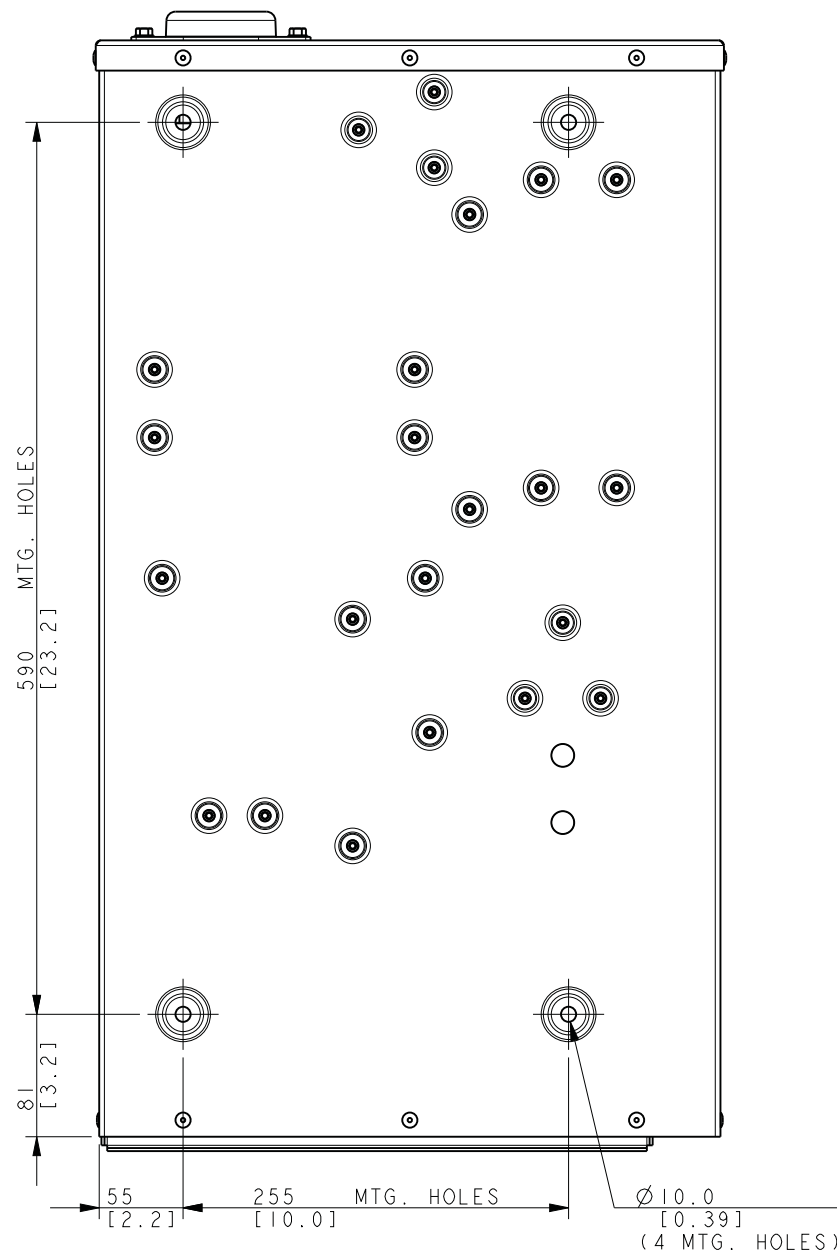


TOP VIEW



FRONT VIEW



BACK VIEW

CSA 150-200A
MODEL RXT
SERVICE ENTRANCE
NEMA 3R ENCLOSURE



COVER NOT SHOWN

DIMENSION IN [] ARE INCHES.

FINISH: ANSI 49 GRAY

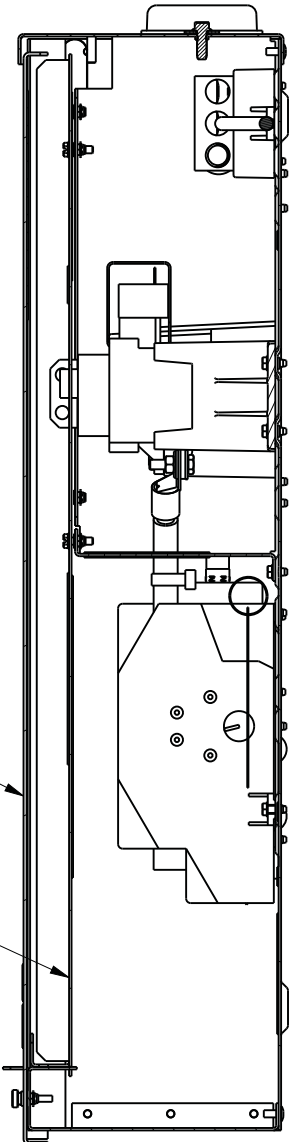
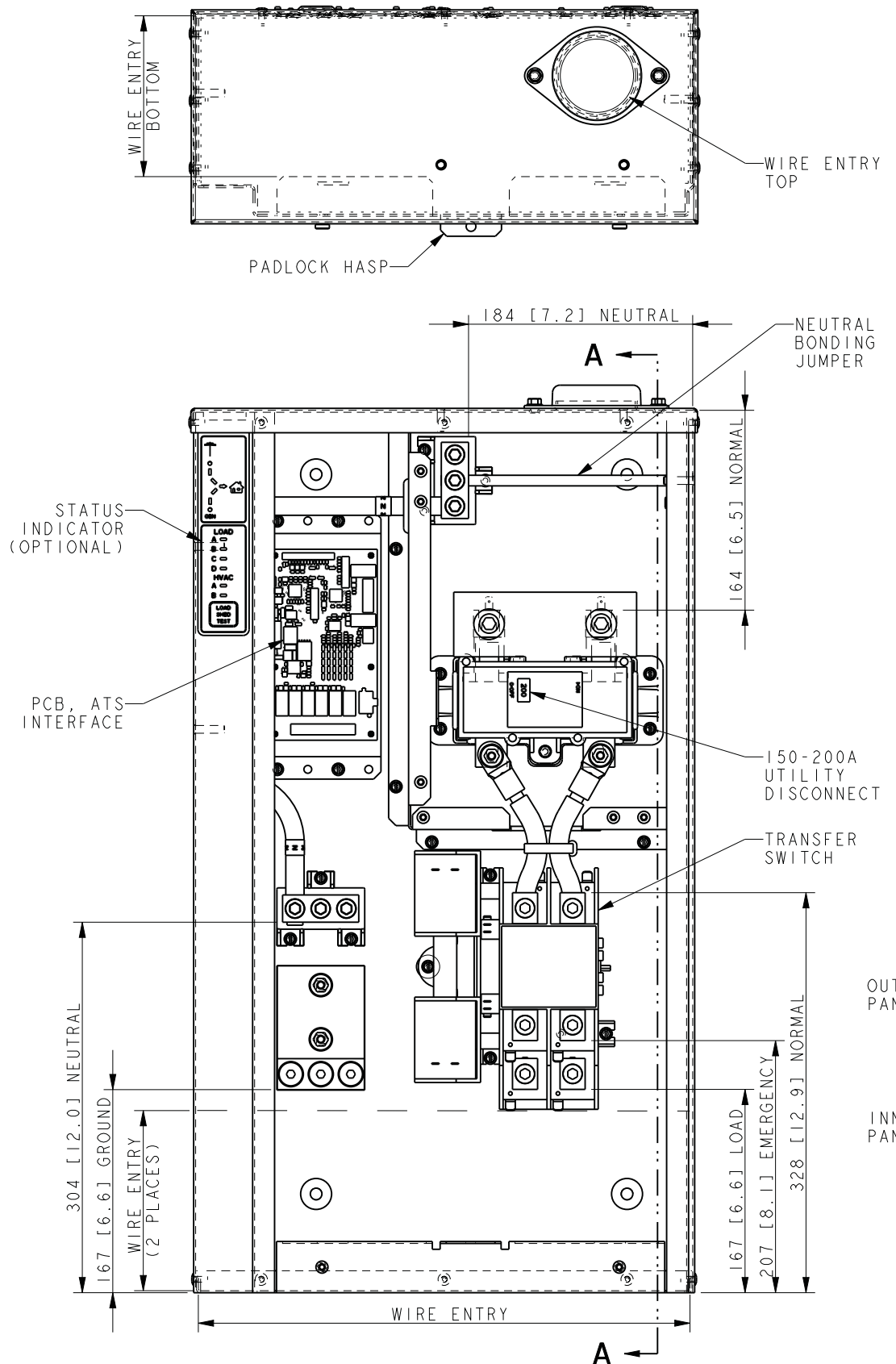
REFER TO OPERATOR'S MANUAL PRIOR TO
INSTALLATION AND OPERATION OF UNIT.

100 AMP APPROXIMATE WEIGHT 16 Kg (34 LBS.)

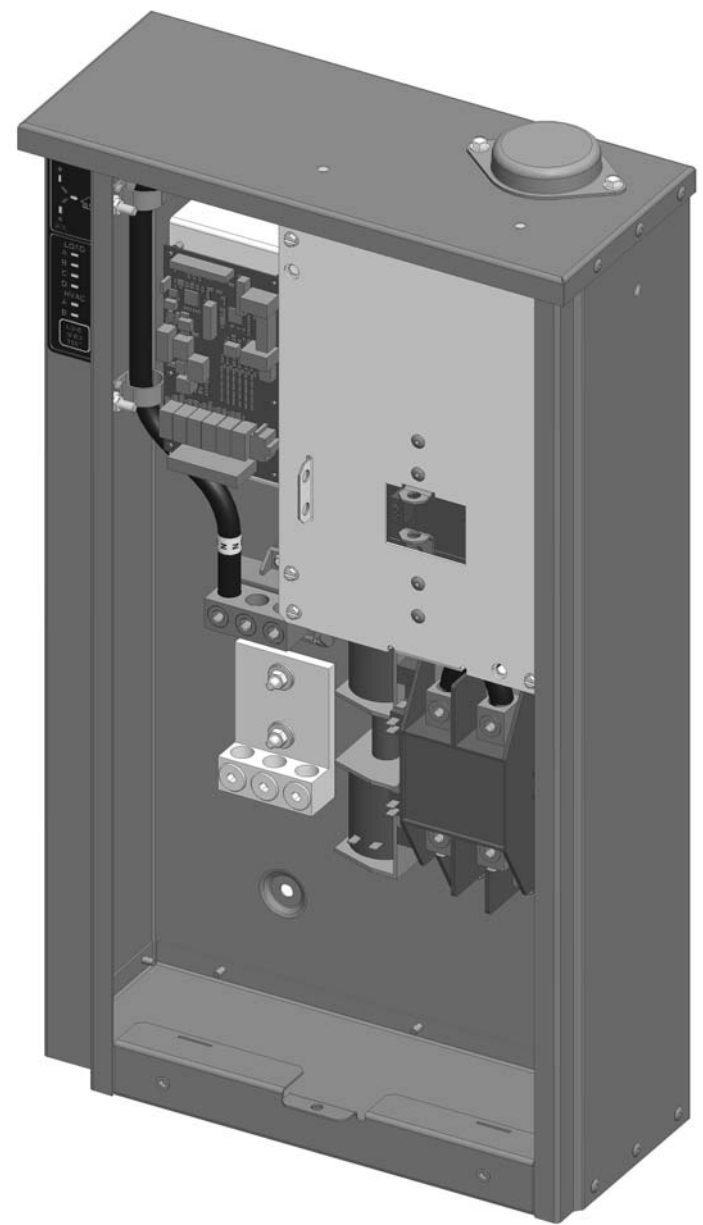
REV	DATE	ON COMPOSITE DWGS. SEE PART NO. FOR REVISION LEVEL	BY	UNLESS OTHERWISE SPECIFIED - 1) DIMENSIONS ARE IN MILLIMETERS 2) TOLERANCES ARE:
-	5-20-15	NEW DRAWING [CT111337]	BTW	X.XX ± 0.25
A	3-18-16	SEE SHEET 2 [CT142157]	BTW	X.X ± 1.0
				X ± 1.5
				ANGLES ± 0° 30' MAX.
				THIRD ANGLE PROJECTION
				APPROVALS
				DATE
				DRAWN BTW 5-20-15
				CHECKED BTW 5-20-15
				APPROVED MTL 5-20-15

TITLE		SCALE		SHEET	
DIMENSION PRINT		0.40	CAD NO.	1	of 2
DWG NO. ADV-8798				D	

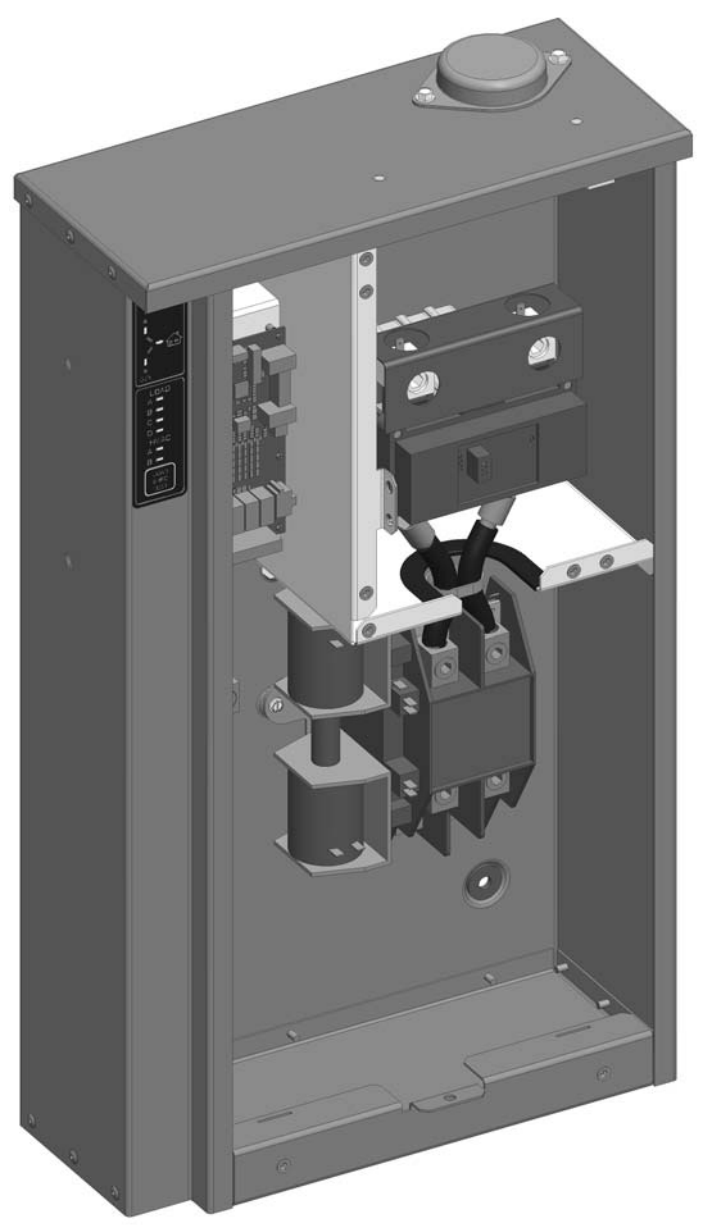
KOHLER CO. METRIC PRO-E
POWER SYSTEMS, KOHLER, WI 53044 U.S.A.
THIS DRAWING IN DESIGN AND DETAIL IS KOHLER CO.
PROPERTY AND MUST NOT BE USED EXCEPT IN
CONNECTION WITH KOHLER CO. WORK. ALL RIGHTS OF
DESIGN OR INVENTION ARE RESERVED.



SECTION A-A



INNER PANEL NOT SHOWN



BREAKER COVER NOT SHOWN

SCREW TYPE TERMINALS FOR EXTERNAL POWER CONNECTION				
SWITCH RATING (AMPS)	RANGE OF AL-CU WIRE SIZES			
	NORMAL (PER PHASE)	EMERGENCY / LOAD (PER PHASE)	NEUTRAL	GROUND
150-200	(1) #4-300 KCMIL	(1) #6-250 KCMIL	(3) #12-250 KCMIL (Cu) OR (3) #10-250 KCMIL (Al)	(3) #14-1/0 AWG

REV	DATE	ON COMPOSITE DWGS, SEE PART NO. FOR REVISION LEVEL	BY
-	5-20-15	NEW DRAWING [CT111337]	BTW
A	3-18-16	WIRE ENTRY POINTS MARKED; [CT142157]	BTW

UNLESS OTHERWISE SPECIFIED -
 1) DIMENSIONS ARE IN MILLIMETERS
 2) TOLERANCES ARE:
 X.XX ± 0.25
 X.X ± 1.0
 X ± 1.5
 ANGLES ± 0° 30' MAX.
 SURFACE FINISH
 THIRD ANGLE PROJECTION

APPROVALS	DATE
DRAWN BTW	5-20-15
CHECKED BTW	5-20-15
APPROVED MTL	5-20-15

KOHLER CO. METRIC PRO-E
 POWER SYSTEMS, KOHLER, WI 53044 U.S.A.
 THIS DRAWING IN DESIGN AND DETAIL IS KOHLER CO. PROPERTY AND MUST NOT BE USED EXCEPT IN CONNECTION WITH KOHLER CO. WORK. ALL RIGHTS OF DESIGN OR INVENTION ARE RESERVED.

TITLE: **DIMENSION PRINT**

SCALE 0.40 CAD NO. SHEET 2 of 2
 DWG NO. **ADV-8798**