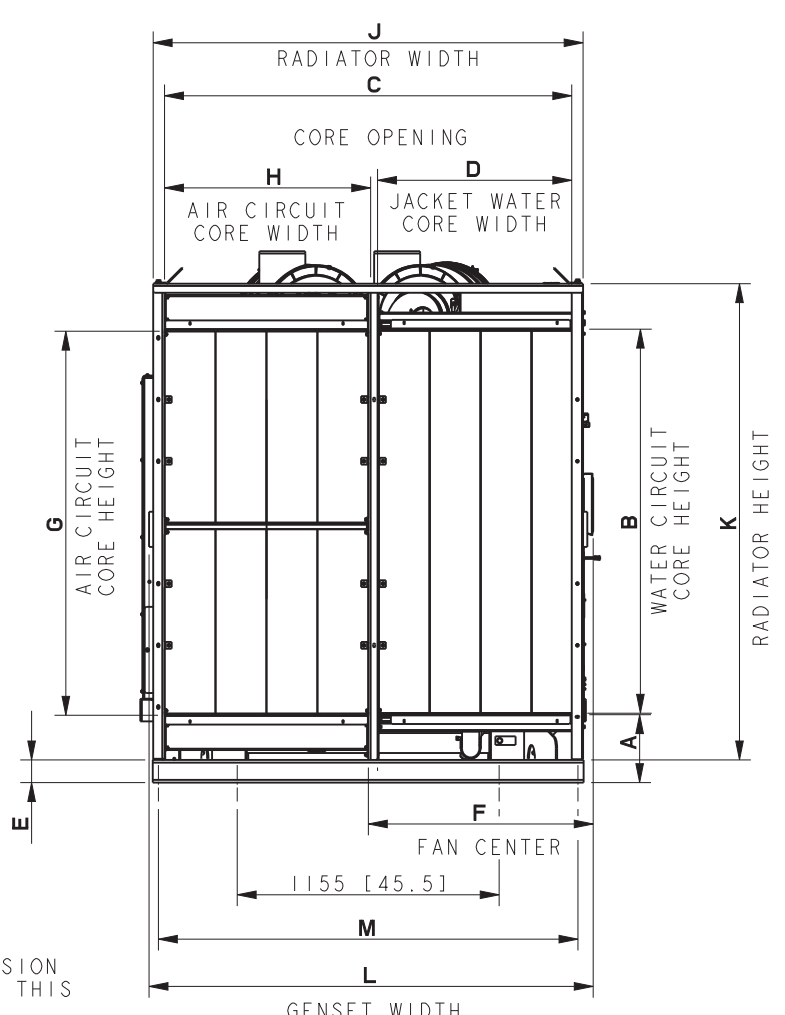


MODEL	ALT.	GENSET MAXIMUM WEIGHT (WET)	(HORIZONTAL CG) (WET)	GENSET LENGTH
KD800	KH02970TO4D	6916 Kg [15248 LBS]	2185 [86]	4181 [164.6]
KD800/900	KH03450TO4D	7155 Kg [15773 LBS]	2225 [87.6]	4181 [164.6]
KD800/900/1000	KH04070TO4D	7457 Kg [16440 LBS]	2277 [89.6]	4181 [164.6]
KD900/1000	KH04830TO4D	7770 Kg [17131 LBS]	2340 [92.1]	4181 [164.6]
KD1000	KH05520TO4D	8083 Kg [17821 LBS]	2391 [94.1]	4224 [166.3]*

* KH05520TO4D ALTERNATOR EXTENDS PAST SKID

MODEL	A	B	C	D	E	F	G	H	J	K	L	M
KD800 50Hz FUEL OPT	400 [15.7]	1587 [62.5]	1394 [54.8]	674 [26.5]	194 [7.6]	747 [29.4]	1487 [58.5]	674 [26.5]	1494 [58.8]	2030 [79.9]	1924 [75.7]	1850 [72.8]
KD900/1000 50Hz FUEL OPT	305 [12.0]	1687 [66.4]	1618 [63.7]	899 [35.4]	100 [3.9]	859 [33.8]	1587 [62.5]	674 [26.5]	1718 [67.6]	2099 [82.6]	1941 [76.4]	1688 [66.4]
KD800 60Hz (50C COOLING)	400 [15.7]	1587 [62.5]	1618 [63.7]	674 [26.5]	100 [3.9]	859 [33.8]	1487 [58.5]	899 [35.4]	1718 [67.6]	2125 [83.6]	1924 [75.7]	1850 [72.8]
KD900/1000 60Hz (40C COOLING)	306 [12.0]	1687 [66.4]	1844 [72.6]	899 [35.4]	100 [3.9]	948 [37.3]	1687 [66.4]	899 [35.4]	1896 [74.6]	2100 [82.6]	1986 [78.2]	1850 [72.8]



- NOTES:
- 1) DIMENSIONS IN [] ARE ENGLISH EQUIVALENTS.
 - 2) IF AN ENCLOSURE IS USED THE FUEL LINE MUST BE STUBBED UP FROM DIRECTLY UNDER THE UNIT. REFER TO ENCLOSURE ADV.
 - 3) IF IBC OR OSHPD CERTIFICATION IS REQUIRED SEE SEISMIC ADV FOR INSTALLATION INSTRUCTIONS.
 - 4) IF SUBBASE FUEL TANK AND/OR ENCLOSURE IS USED. REFER TO SUBBASE FUEL TANK/ENCLOSURE ADV TO DETERMINE MOUNTING LOCATION.

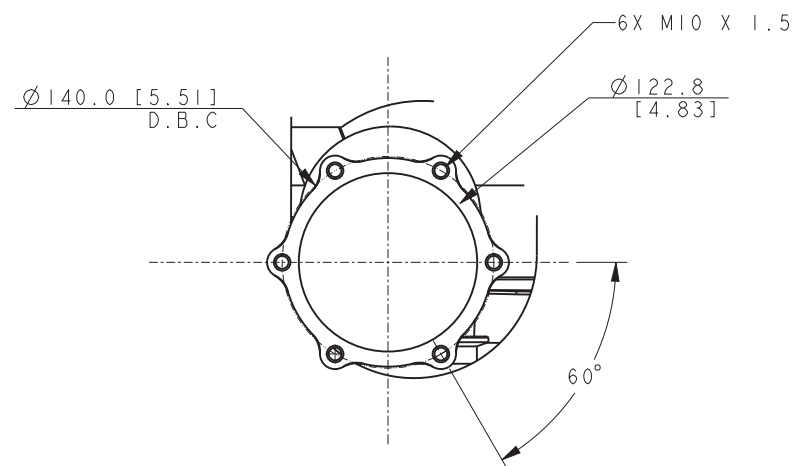
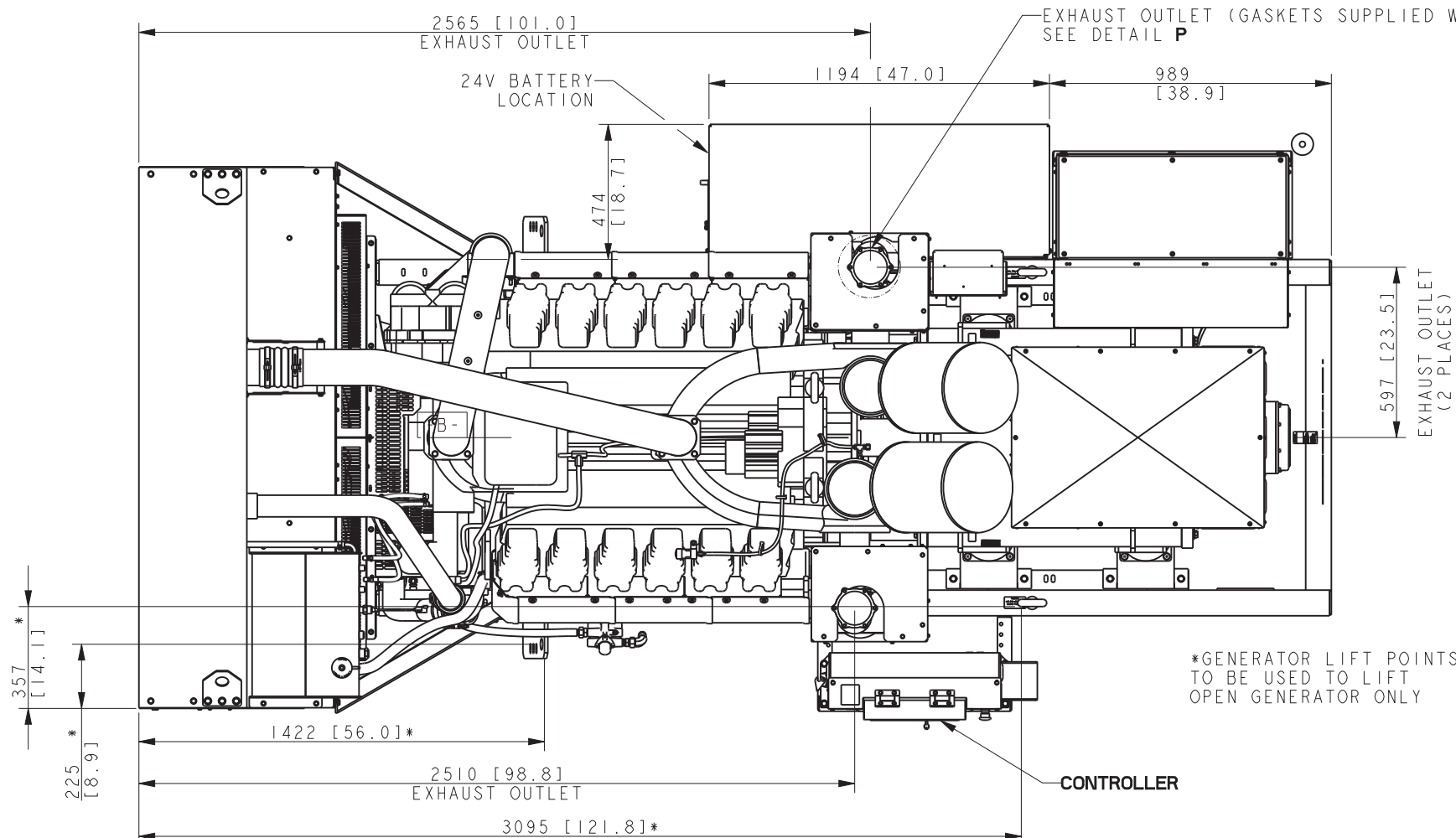
KD800, KD900, KD1000
KD27V12

REV	DATE	ON COMPOSITE DWGS. SEE PART NO. FOR REVISION LEVEL	BY	DO NOT SCALE. REFERENCE THE MODEL FOR ALL UNSPECIFIED DIMENSIONS
D	10-8-18	IMPERIAL DIMENSIONS ADDED TO ALL DIMENSIONS; SEE SHEET 2, 3, 4 & 5 [CT191046]	ADP	UNLESS OTHERWISE SPECIFIED: ALL DIMENSIONS IN MILLIMETERS GENERAL TOLERANCES: XX ± 0.25 SURFACE FINISH X ± 1.0 X ± 1.5 MAX. ANGLES ± 0°30' THIRD ANGLE PROJECTION
E	2-19-20	(C-1,4) TABLE UPDATED; SEE SHEET 4 [CT202039]	DS	
F	13MAY2020	(B-8) CIRCUIT BREAKER BOX CALLOUT ADDED; (D-8, -7, -6) CONTROLLER CALLOUT, 1121 [44.1], 680 [26.8] & 335 [13.2] ADDED; SEE SHEET 2 [CT204162]	PAR	
G	02AUG2021	(D-1) 1850 [72.8] WAS 1688 [66.4] & 1688 [66.4] WAS 1850 [72.8] [CT213748]	ABB	

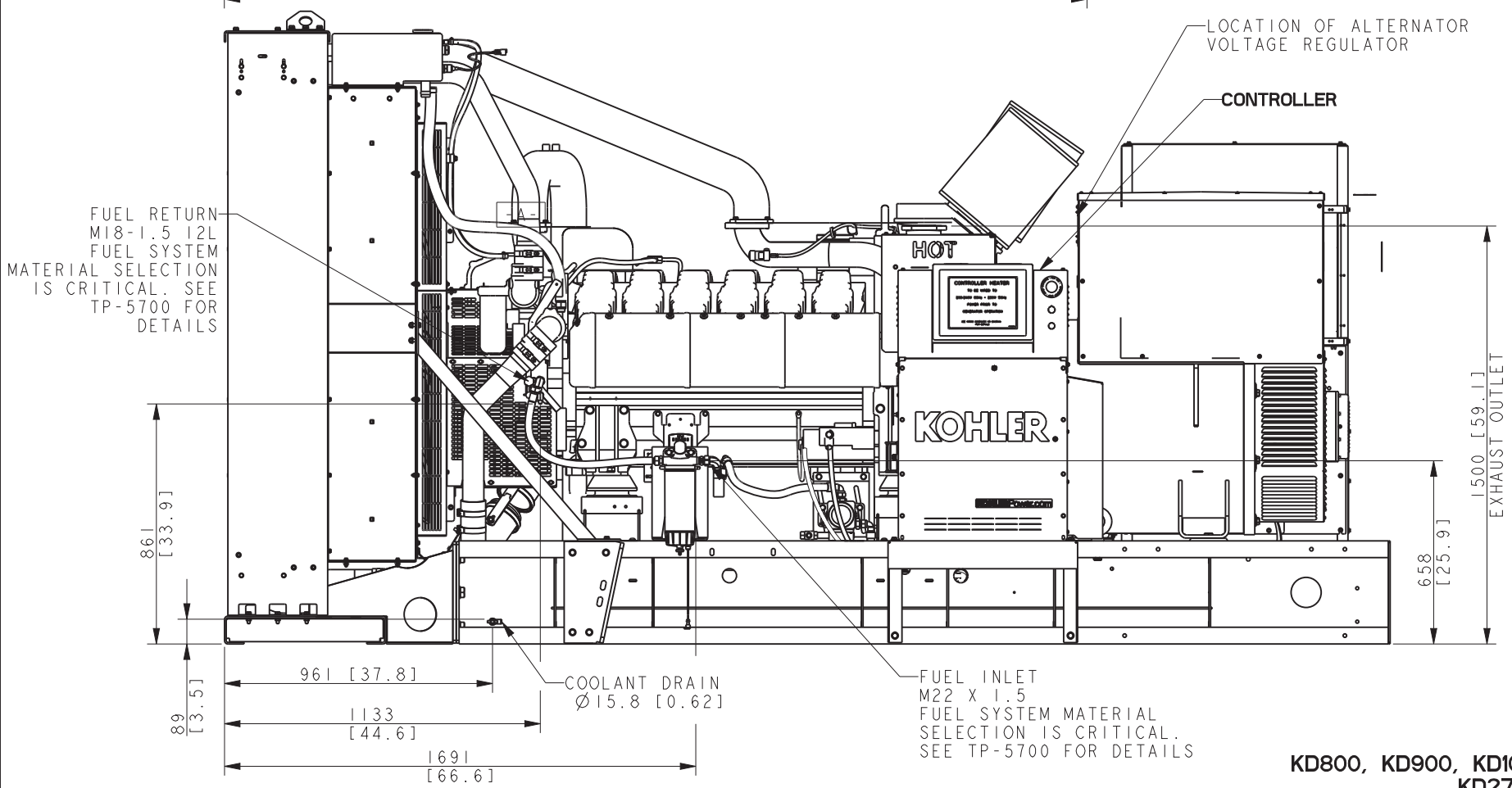
KOHLER
 KOHLER, WISCONSIN 53044
 THIS DRAWING IN DESIGN AND DETAIL IS KOHLER CO. PROPERTY AND MUST NOT BE USED EXCEPT IN CONNECTION WITH KOHLER CO. WORK. ALL RIGHTS OF DESIGN OR INVENTION ARE RESERVED.

DIMENSION PRINT, KD800-1000

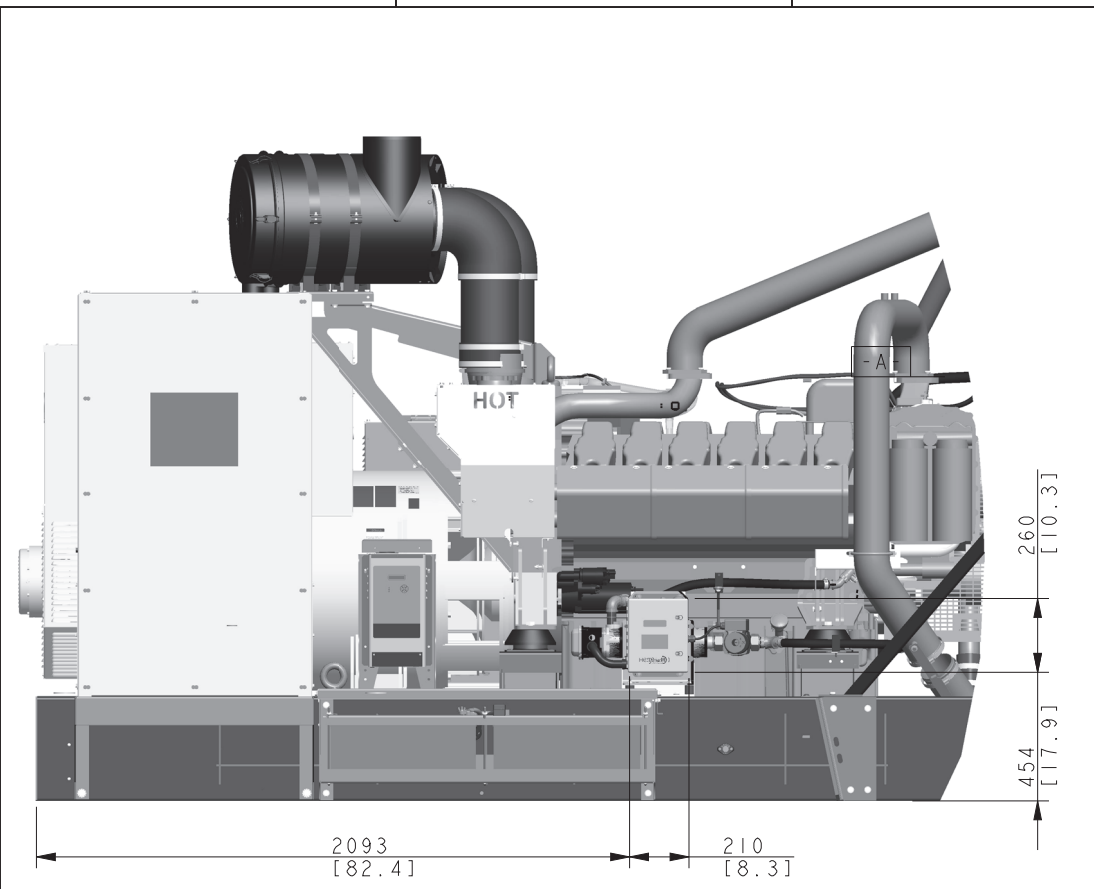
SCALE 0.06 CAD NO. SHEET 1 of 5
 ADV-8868 D



DETAIL P
SCALE 0.40

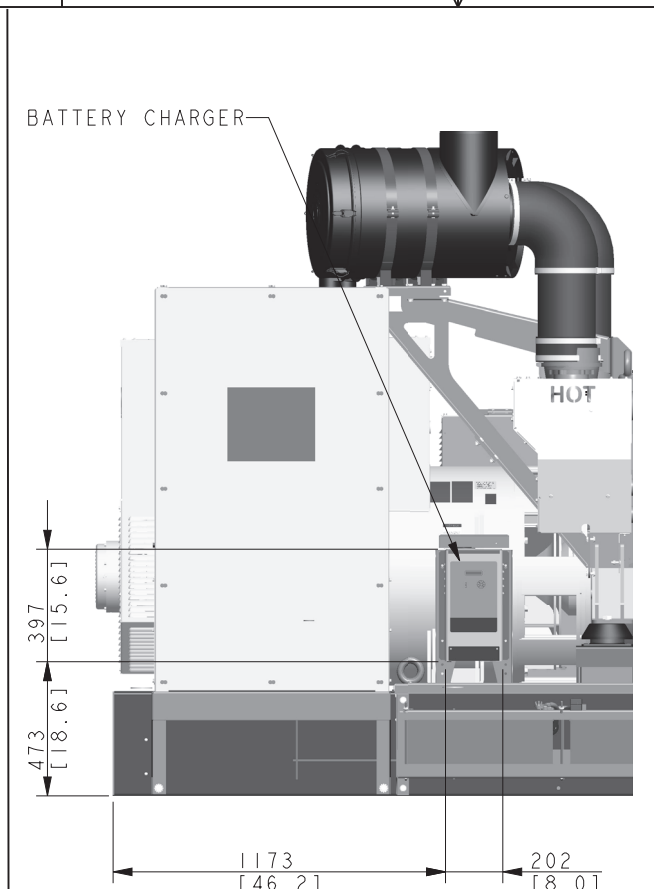


REV	DATE	ON COMPOSITE DWGS, SEE PART NO. FOR REVISION LEVEL	BY	DO NOT SCALE, REFERENCE THE MODEL FOR ALL UNSPECIFIED DIMENSIONS
C	10-10-17	SEE SHEET 1 [CT180111]	RRT	UNLESS OTHERWISE SPECIFIED: ALL DIMENSIONS IN MILLIMETERS GENERAL TOLERANCES: X.XX ± 0.25 X.X ± 1.0 SURFACE FINISH X ± 1.5 MAX. ANGLES ± 0°30'
D	10-8-18	IMPERIAL DIMENSIONS ADDED TO ALL DIMENSIONS; (D-5,6) 474 WAS 476, 989 WAS 995; (A-4,7) 658 WAS 644; (A-7) 1691 WAS 1730; SEE SHEET 1, 3, 4 & 5 [CT191046]		
E	2-19-20	SEE SHEET 1 & 4 [CT202039]	ADP	KOHLER KOHLER, WISCONSIN 53044 THIS DRAWING IN DESIGN AND DETAIL IS KOHLER CO. PROPERTY AND MUST NOT BE USED EXCEPT IN CONNECTION WITH KOHLER CO. WORK. ALL RIGHTS OF DESIGN OR INVENTION ARE RESERVED. TITLE DIMENSION PRINT, KD800-1000 SCALE 0.09 CAD NO. SHEET 2 of 5 DWG NO. ADV-8868
F	13MAY2020	(B,D-5) CONTROLLER CALLOUT ADDED; SEE SEET 1 [CT204162]	DS	
G	02AUG2021	SEE SHEET 1 [CT213748]	ABB	
			APPROVED	DATE
			PAR	SSS 9-8-16
			CHECKED	DJV 9-8-16
			APPROVED	BMK 9-8-16

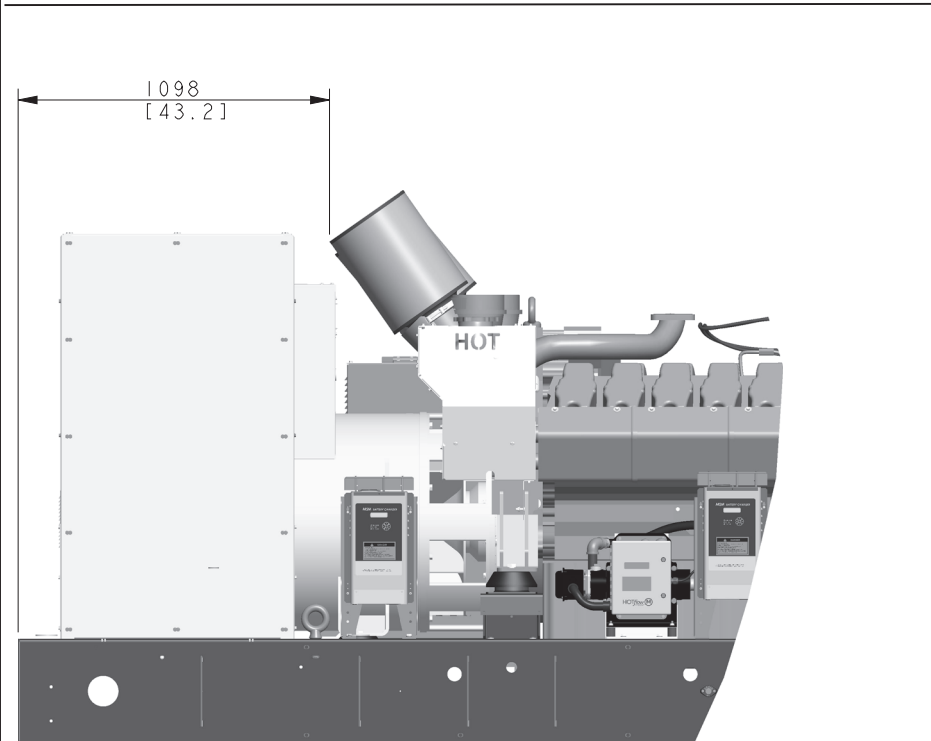


BLOCK HEATER LOCATION

BLOCK HEATER (RIGHT SIDE GENSET)

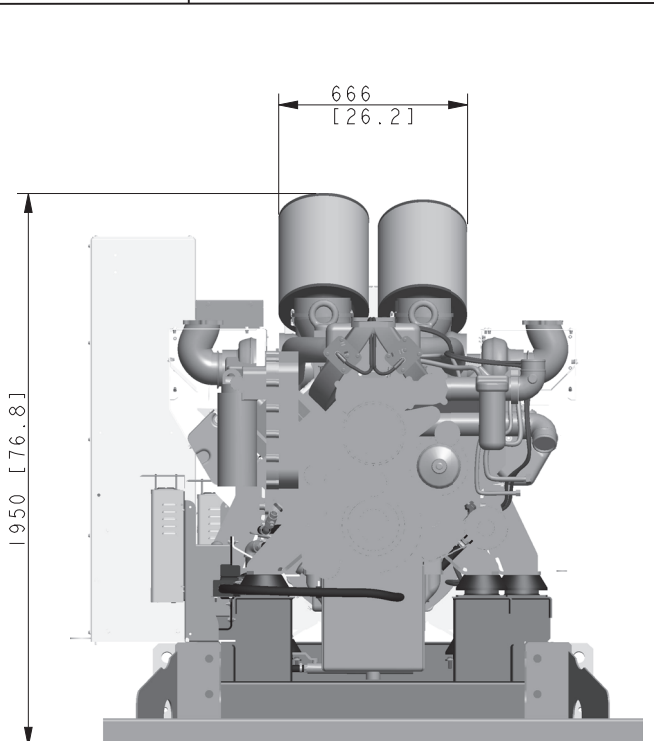


BATTERY CHARGER (RIGHT SIDE GENSET)



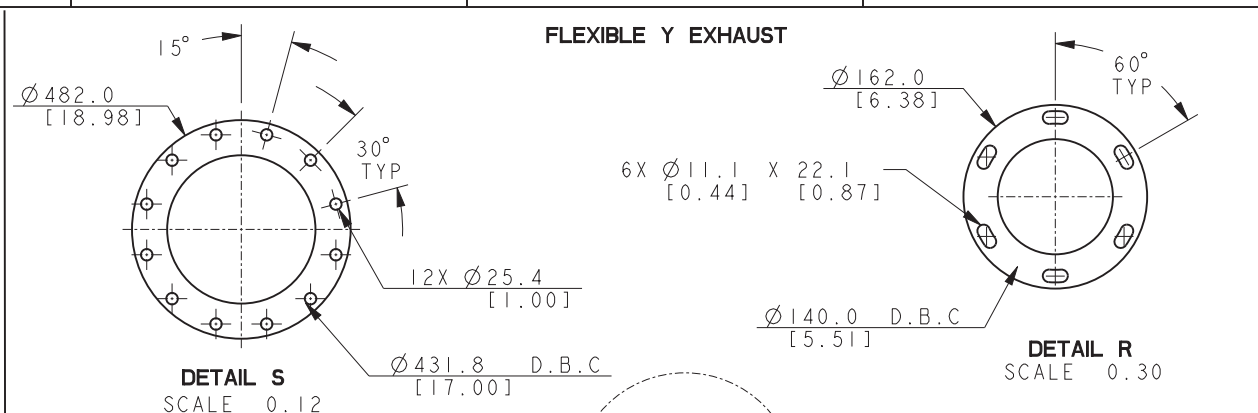
RIGHT SIDE

STANDARD DUTY AIR CLEANER (RIGHT SIDE GENSET)



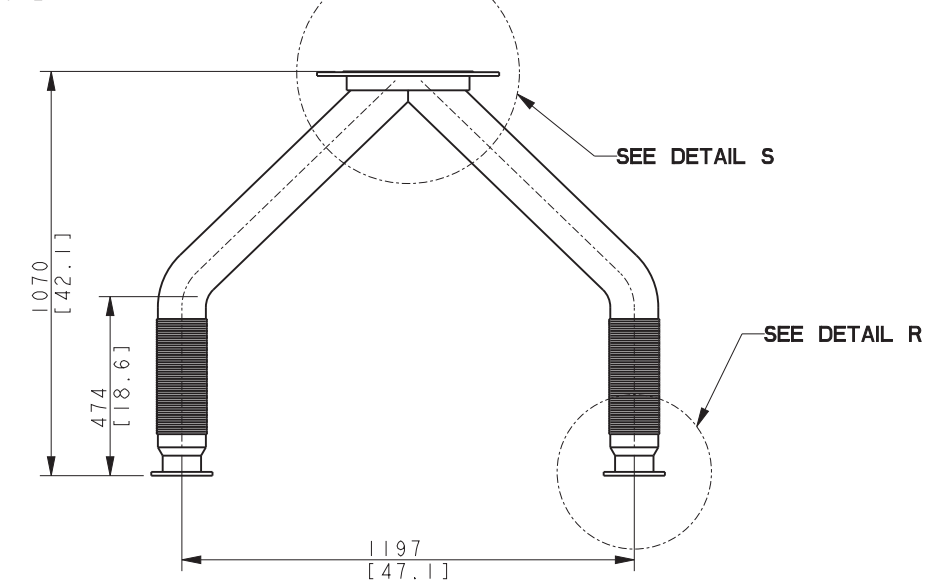
SCALE 0.08

KD800, KD900, KD1000 KD27V12

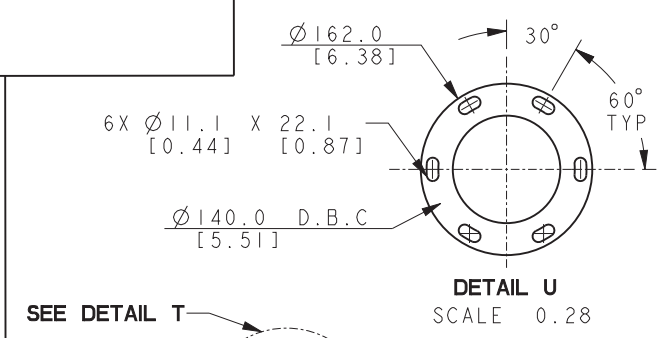


DETAIL S SCALE 0.12

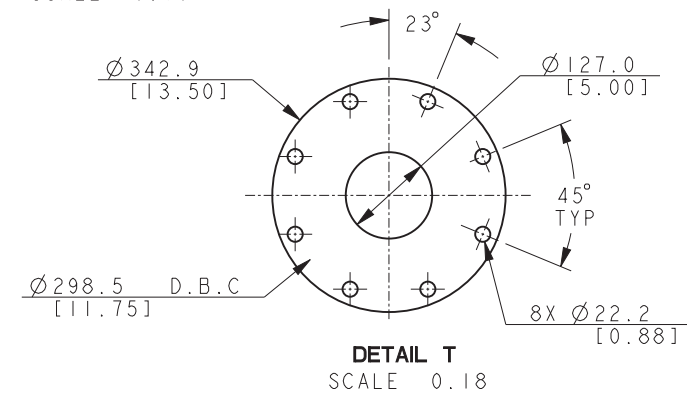
DETAIL R SCALE 0.30



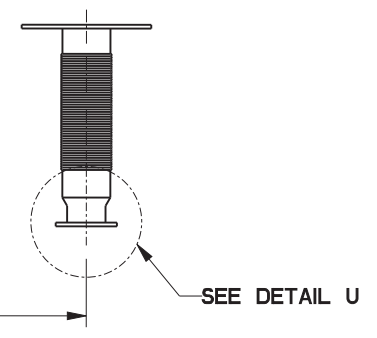
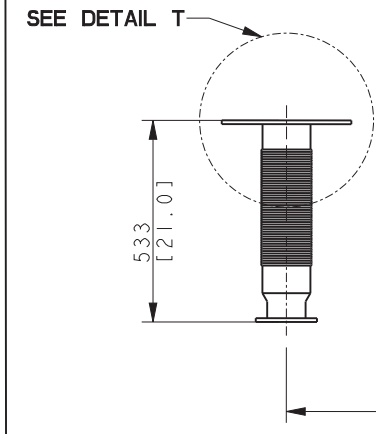
SCALE 0.10



DETAIL U SCALE 0.28



DETAIL T SCALE 0.18



SCALE 0.10

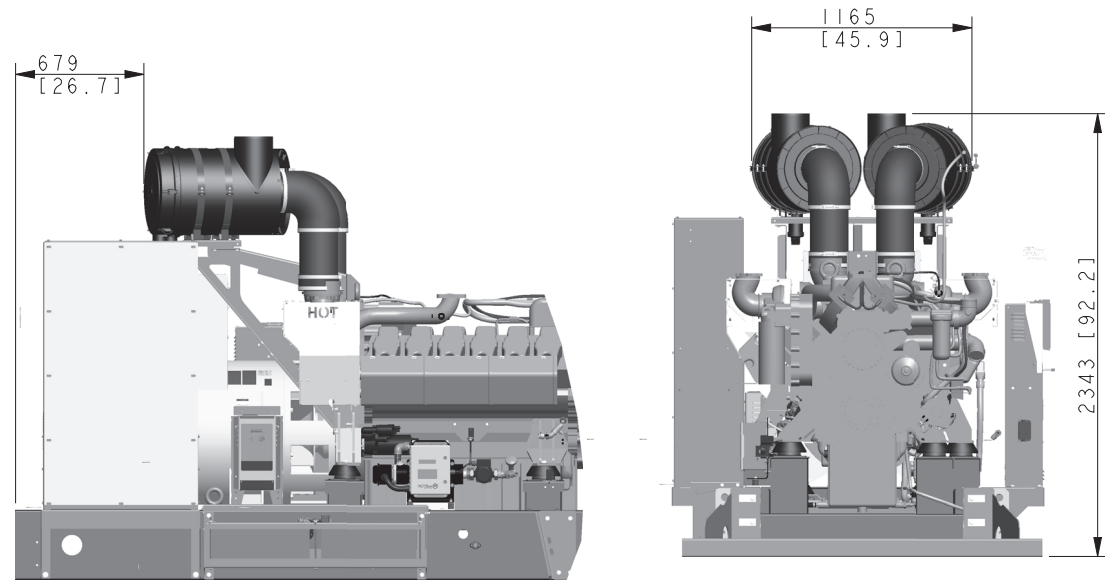
NOTES:
FLEXIBLE EXHAUST TO BE FULLY SUPPORTED BY EXTERNAL STRUCTURE (ALLOWED BENDING MOMENT AT EXHAUST FLANGE INTERFACE LESS THAN 19 Nm)

REV	DATE	ON COMPOSITE DWGS, SEE PART NO. FOR REVISION LEVEL	BY	DO NOT SCALE, REFERENCE THE MODEL FOR ALL UNSPECIFIED DIMENSIONS
-	9-8-16	NEW DRAWING [CT160432]	SSS	UNLESS OTHERWISE SPECIFIED: ALL DIMENSIONS IN MILLIMETERS
A	11-3-16	SEE SHEET 1 [CT164327]	CEK	GENERAL TOLERANCES: X.XX ± 0.25
B	6-7-17	SEE SHEET 1 & 2 [CT175358]	RRT	X.X ± 1.0 SURFACE FINISH
C	10-10-17	SEE SHEET 1 [CT180111]	RRT	X ± 1.5 MAX.
D	10-8-18	IMPERIAL DIMENSIONS ADDED TO ALL DIMENSIONS; SEE SHEET 1, 2, 4 & 5 [CT191046]	ADP	THIRD ANGLE PROJECTION
E	2-19-20	SEE SHEET 1 & 4 [CT202039]	DS	APPROVALS
F	13MAY2020	SEE SHEET 1 & 2 [CT204162]	PAR	DATE
G	02AUG2021	SEE SHEET 1 [CT213748]	ABB	SCALE 0.15

KOHLER
KOHLER, WISCONSIN 53044
THIS DRAWING IN DESIGN AND DETAIL IS KOHLER CO. PROPERTY AND MUST NOT BE USED EXCEPT IN CONNECTION WITH KOHLER CO. WORK. ALL RIGHTS OF DESIGN OR INVENTION ARE RESERVED.

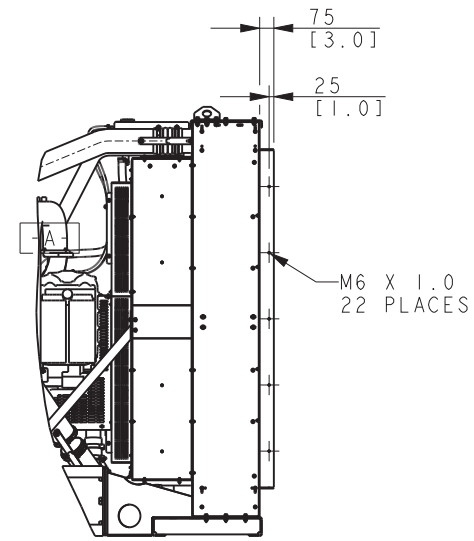
TITLE
DIMENSION PRINT, KD800-1000

SCALE 0.15 CAD NO. SHEET 3 of 5
DWG NO. **ADV-8868**

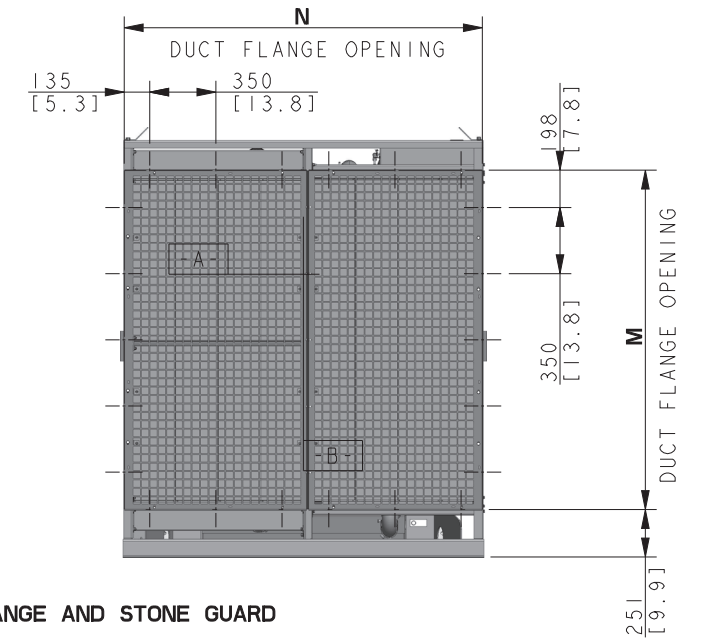


(RIGHT SIDE GENSET)

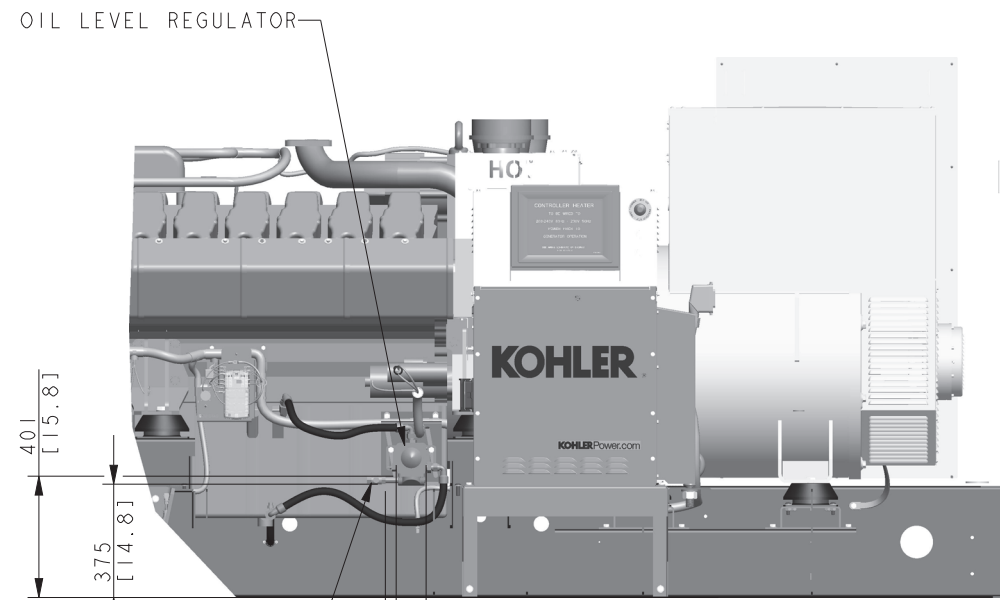
HEAVY DUTY AIR CLEANER



DUCT FLANGE AND STONE GUARD



DUCT FLANGE DIMENSIONS		
MODEL	M	N
KD800 50Hz FUEL OPT	1685 [66.3]	1492 [58.7]
KD900/1000 50Hz FUEL OPT	1796 [70.7]	1718 [67.6]
KD800 60Hz (50C COOLING)	1685 [66.3]	1716 [67.5]
KD900/1000 60Hz (40C COOLING)	1796 [70.7]	1895 [74.6]

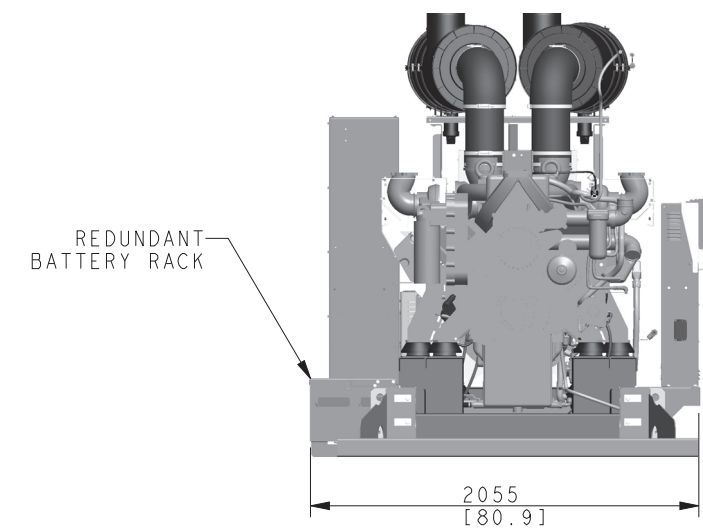
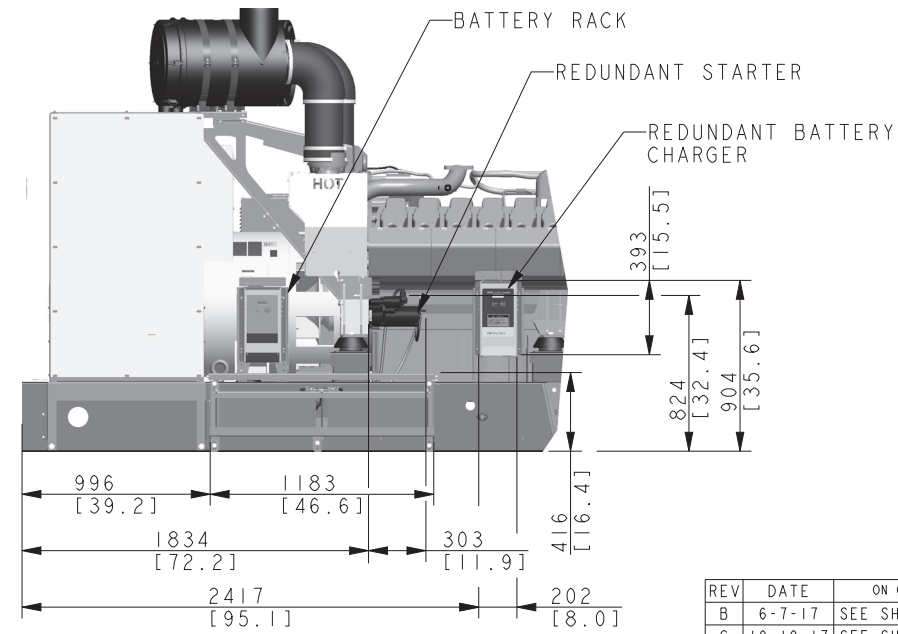


AUTOMATIC OIL REPLENISHMENT SYSTEM (LEFT SIDE GENSET)

CUSTOMER OIL SUPPLY CONNECTION 1/2" NPT (OIL RESERVOIR SUPPLIED BY CUSTOMER)

NOTE: LEFT SIDE SKID MEMBER HIDDEN TO SHOW CONNECTION FROM OIL LEVEL REGULATOR TO OIL SUMP.

REDUNDANT STARTER, BATTERY RACK & CHARGER (RIGHT SIDE GENSET)



KD800, KD900, KD1000 KD27V12

REV	DATE	ON COMPOSITE DWGS, SEE PART NO. FOR REVISION LEVEL	BY	DO NOT SCALE. REFERENCE THE MODEL FOR ALL UNSPECIFIED DIMENSIONS
B	6-7-17	SEE SHEET 1 & 2 [CT175358]	RRT	UNLESS OTHERWISE SPECIFIED: ALL DIMENSIONS IN MILLIMETERS GENERAL TOLERANCES: XX ± 0.25 SURFACE FINISH X ± 1.0 X ± 1.5 ANGLES ± 0°30' MAX. THIRD ANGLE PROJECTION
C	10-10-17	SEE SHEET 1 [CT180111]	RRT	
D	10-8-18	IMPERIAL DIMENSIONS ADDED TO ALL DIMENSIONS; (A-4,5) 416 WAS 453, 996 WAS 995, 1183 WAS 1194; SEE SHEET 1, 2, 3 & 5 [CT191046]	ADP	
E	2-19-20	(D-1,2) TABLE UPDATED; (C-4) PROJECTION VIEW ADDED; (D-2) 135, 350, 198 & (C-2) 350 DIMENSION ADDED; SEE SHEET 1 [CT202039]	DS	
F	13MAY2020	SEE SHEET 1 & 2 [CT204162]	PAR	APPROVALS
G	02AUG2021	SEE SHEET 1 [CT213748]	ABB	DATE

KOHLER
KOHLER, WISCONSIN 53044

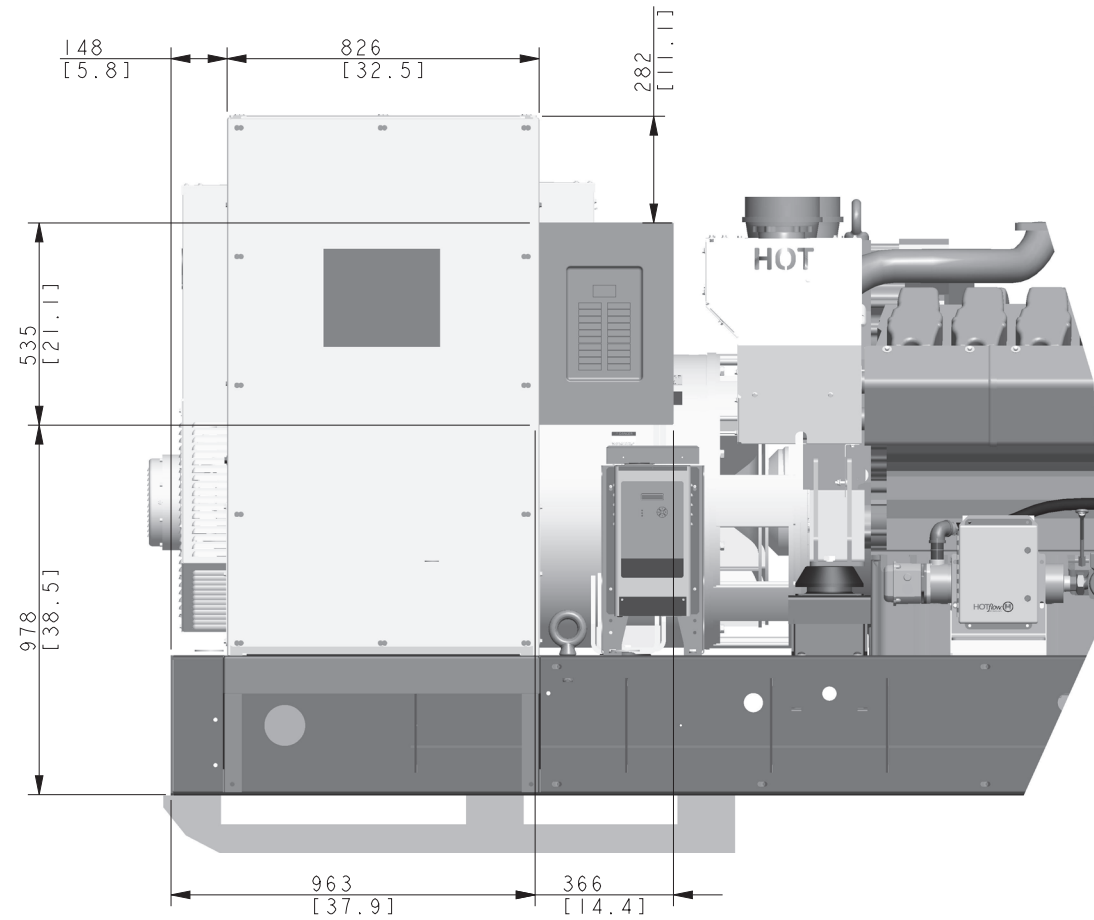
THIS DRAWING IN DESIGN AND DETAIL IS KOHLER CO. PROPERTY AND MUST NOT BE USED EXCEPT IN CONNECTION WITH KOHLER CO. WORK. ALL RIGHTS OF DESIGN OR INVENTION ARE RESERVED.

TITLE: **DIMENSION PRINT, KD800-1000**

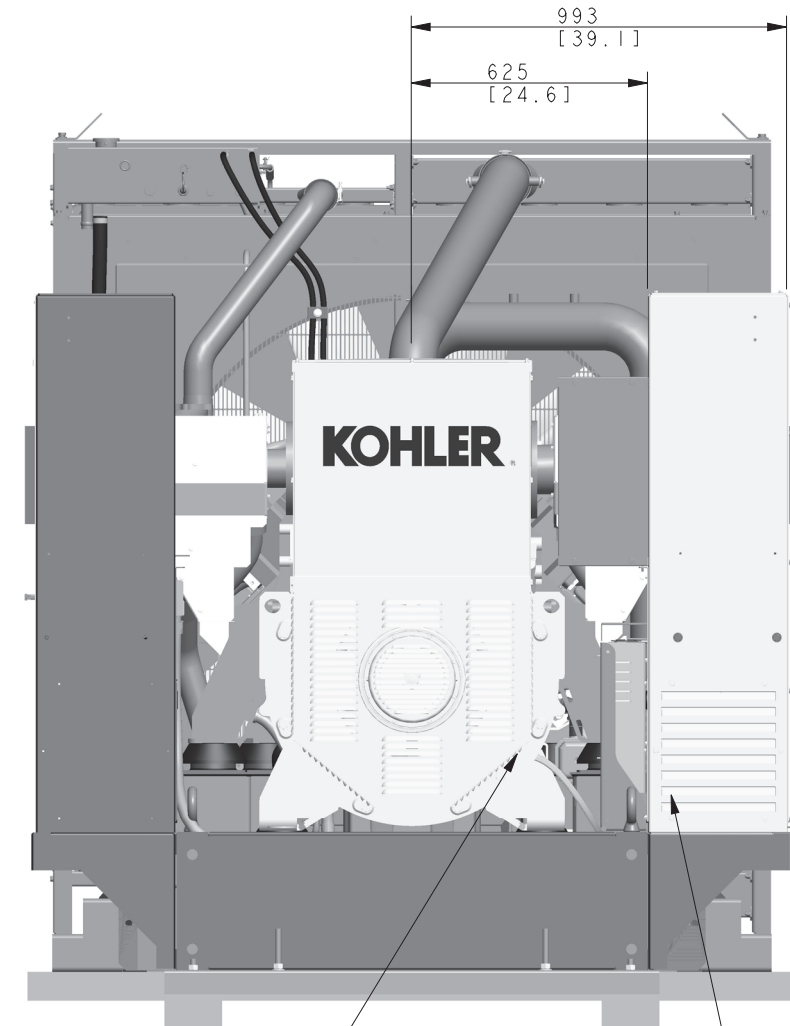
SCALE: 0.05 CAD NO. SHEET 4 of 5

DWG NO. **ADV-8868**

CIRCUIT BREAKER BOX
(RIGHT AND/OR LEFT SIDE OPTION)



BASIC ELECTRICAL PACKAGE (BEP) LOAD CENTER

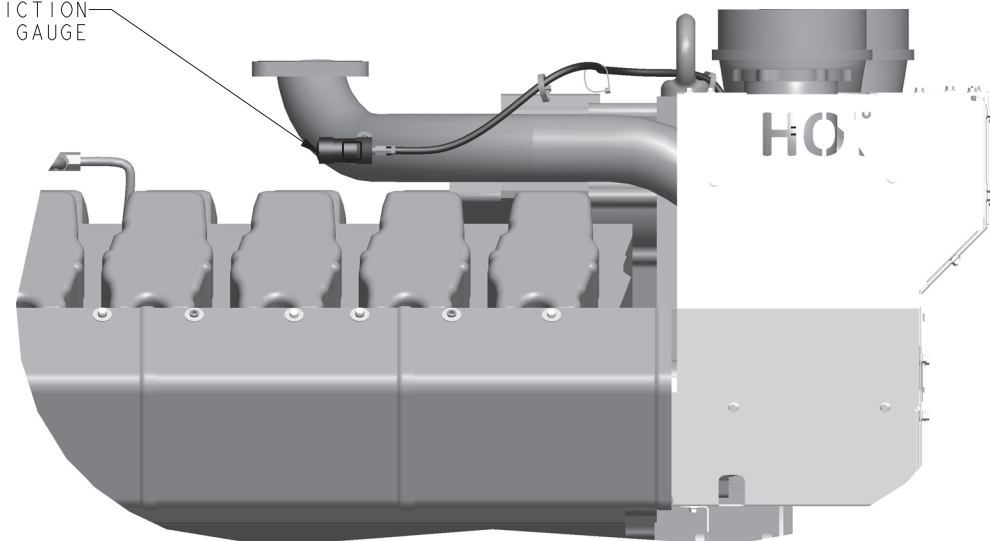


ALTERNATOR AIR FILTER INSTALLED
INSIDE OF LOUVERED PANELS
(7% DERATE ON GENERATOR RATING)

ALTERNATOR HEATER THREADS
INTO REAR CASTING OF ALTERNATOR

ALTERNATOR AIR FILTER AND HEATER

AIR RESTRICTION
GAUGE



AIR FILTER RESTRICTION INDICATOR
(RIGHT SIDE OF GENSET)

KD800, KD900, KD1000
KD27V12

REV	DATE	ON COMPOSITE DWGS, SEE PART NO. FOR REVISION LEVEL	BY	DO NOT SCALE. REFERENCE THE MODEL FOR ALL UNSPECIFIED DIMENSIONS
-	9-8-16	NEW DRAWING [CT160432]	SSS	<small>UNLESS OTHERWISE SPECIFIED: ALL DIMENSIONS IN MILLIMETERS</small> <small>GENERAL TOLERANCES:</small> X.XX ± 0.25 X.X ± 1.0 SURFACE FINISH X ± 1.5 ANGLES ± 0°30' MAX. <small>THIRD ANGLE PROJECTION</small>
A	11-3-16	SEE SHEET 1 [CT164327]	CEK	
B	6-7-17	SEE SHEET 1 & 2 [CT175358]	RRT	
C	10-10-17	SEE SHEET 1 [CT180111]	RRT	
D	10-8-18	IMPERIAL DIMENSIONS ADDED TO ALL DIMENSIONS; SEE SHEET 1, 2, 3 & 4 [CT191046]	ADP	
E	2-19-20	SEE SHEET 1 & 4 [CT202039]	DS	
F	13MAY2020	SEE SHEET 1 & 2 [CT204162]	PAR	
G	02AUG2021	SEE SHEET 1 [CT213748]	ABB	

KOHLER
KOHLER, WISCONSIN 53044

THIS DRAWING IN DESIGN AND DETAIL IS KOHLER CO. PROPERTY AND MUST NOT BE USED EXCEPT IN CONNECTION WITH KOHLER CO. WORK. ALL RIGHTS OF DESIGN OR INVENTION ARE RESERVED.

TITLE
DIMENSION PRINT, KD800-1000

SCALE 0.06 CAD NO. SHEET 5 of 5
DWG NO. **ADV-8868**