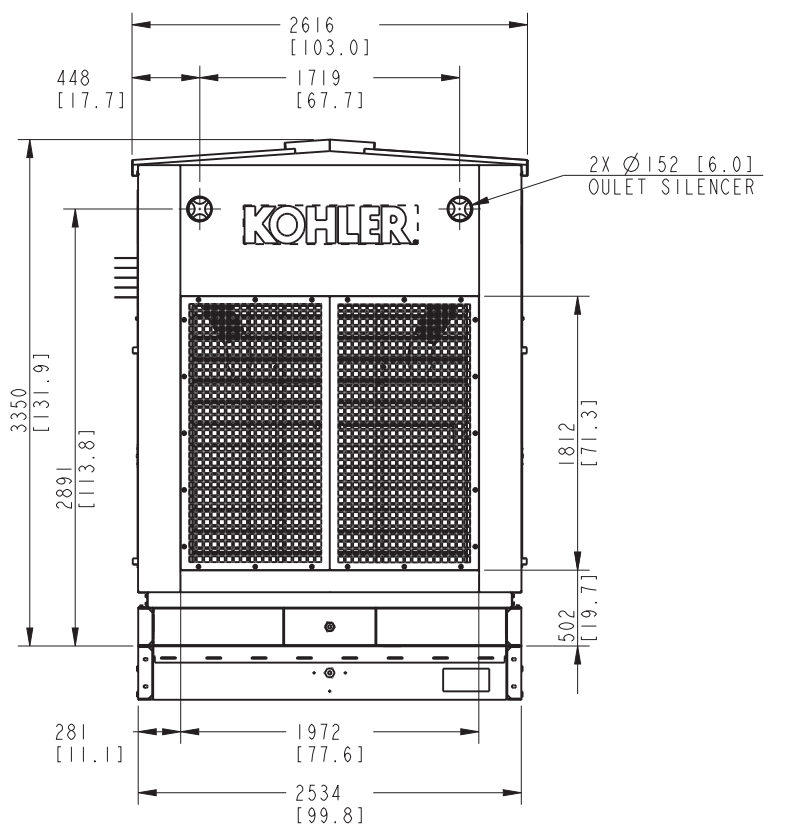
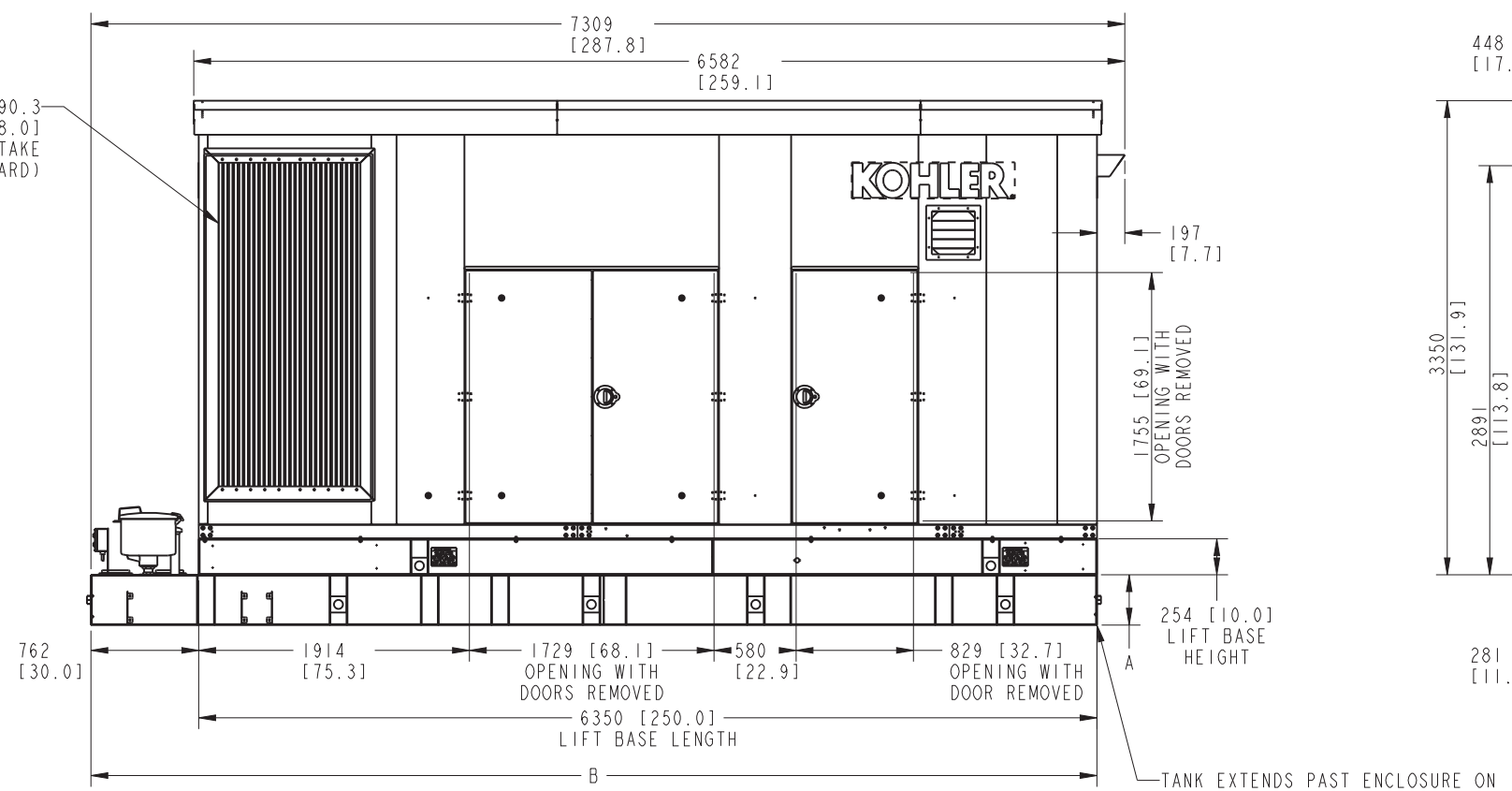


2X 1205.4 X 2490.3
[47.5 X 98.0]
FIXED AIR INTAKE
LOUVER (STANDARD)



NOTE:
DIMENSIONS IN [] ARE ENGLISH EQUIVALENTS.
*WEIGHT INCLUDES ENCLOSURE & SILENCER.

TANK & LIFT BASE INFORMATION

| LITERS [GALLONS] MIN HOURS | GENSETS | DIM A MM [INCH] | DIM B MM [INCH] | WEIGHT KG [LBS] (NO FUEL) |
|-------------------------------|------------|-----------------|-----------------|------------------------------|
| SLI LIFT BASE | KD800-1000 | SEE NOTE | SEE NOTE | 951 [2,096 LB] |
| 3475 [918] 12 HOURS | KD800-1000 | 356 [14.0] | 7112 [280.0] | 3588 [7,910 LB] |
| 6621 [1749] 24 HOURS | KD800-1000 | 584 [23.0] | 7112 [280.0] | 4068 [8,969 LB] |
| 10573 [2793] 48 HOURS | KD800 | 914 [36.0] | 7112 [280.0] | 4647 [10,246 LB] |
| 12969 [3426] 48 HOURS | KD900-1000 | 940 [37.0] | 8400 [330.7] | 5851 [12,900 LB] |
| 15740 [4158] 72 HOURS | KD800 | 1016 [40.0] | 9144 [360.0] | 6058 [13,356 LB] |
| 19381 [5120] 72 HOURS | KD900-1000 | 1016 [40.0] | 11050 [435.0] | 7030 [15,497 LB] |

TANK WEIGHT + LIFT BASE WEIGHT + ENCLOSURE
WEIGHT + GENERATOR SET WEIGHT (REFERENCE
FROM GENERATOR SET ADV) = TOTAL WEIGHT

800-1000KW SLI ENCLOSURE
AND LIFTING BASE WITH SUB
BASE TANK OPTION

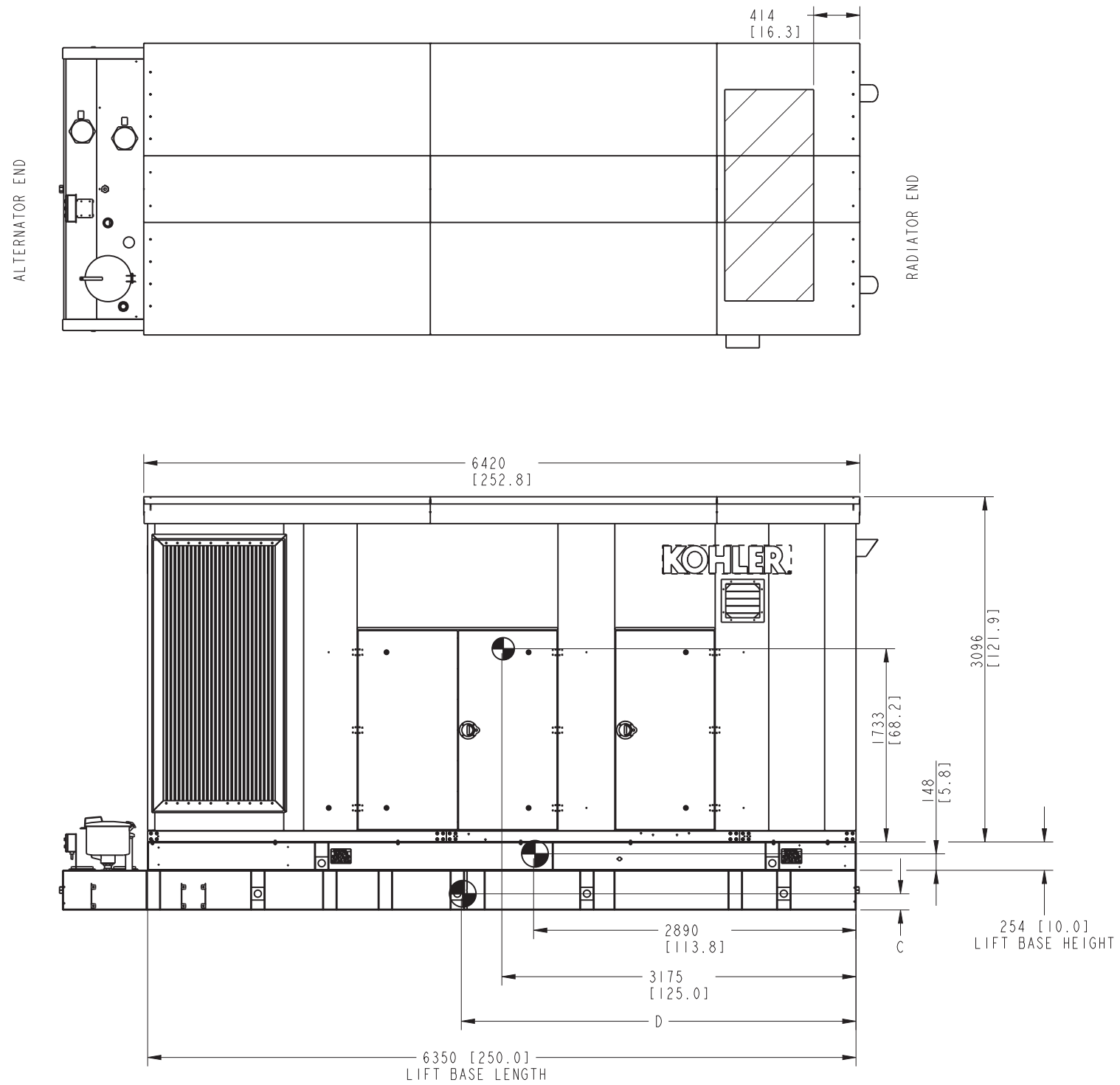
ALUM SLI ENCLOSURE & SILENCER WEIGHT KG [LBS] 1776 [3916 LB]

| REV | DATE | ON COMPOSITE DWGS. SEE PART NO. FOR REVISION LEVEL | BY | DO NOT SCALE. REFERENCE THE MODEL FOR ALL UNSPECIFIED DIMENSIONS |
|-----|-----------|--|-----|---|
| B | 3-29-17 | SEE SHEET 7, 8 & 9 [CT172948] | KMP | UNLESS OTHERWISE SPECIFIED: ALL DIMENSIONS IN MILLIMETERS GENERAL TOLERANCES: N/A |
| C | 7-24-17 | (C-1) 2X Ø152 DIMENSION ADDED; SEE SHEET 3 [CT176858] | MVT | |
| D | 12-13-17 | SEE SHEET 5 [CT182350] | RVM | TOLERANCES REMOVED [CT194818] |
| E | 4-22-19 | (A-3) TANK EXTENSION NOTE ADDED; (A-2) [CT207481] | SUD | |
| F | 12JAN2021 | SEE SHEET 3, 7 & 8 [CT207481] | ARP | APPROVALS DATE DRAWN RMJ 4-17-19 CHECKED RMJ 4-17-19 APPROVED BLM 4-17-19 |
| G | 02MAY2023 | SEE SHEET 5 [CT227188] | APM | |

KOHLER
KOHLER, WISCONSIN 53044
THIS DRAWING IN DESIGN AND DETAIL IS KOHLER
CO. PROPERTY AND MUST NOT BE USED EXCEPT IN
CONNECTION WITH KOHLER CO. WORK. ALL RIGHTS
OF DESIGN OR INVENTION ARE RESERVED.

TITLE
**DIMENSION PRINT KD800-1000 TANK &
ENCLOSURE**


SCALE 0.04 CAD NO. SHEET 1 of 10
DWG NO. **ADV-8919**

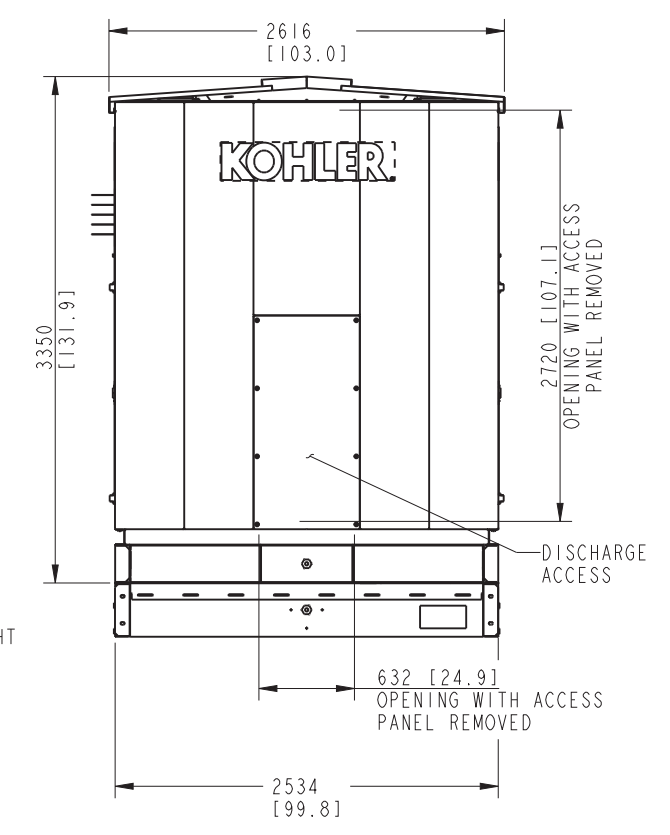
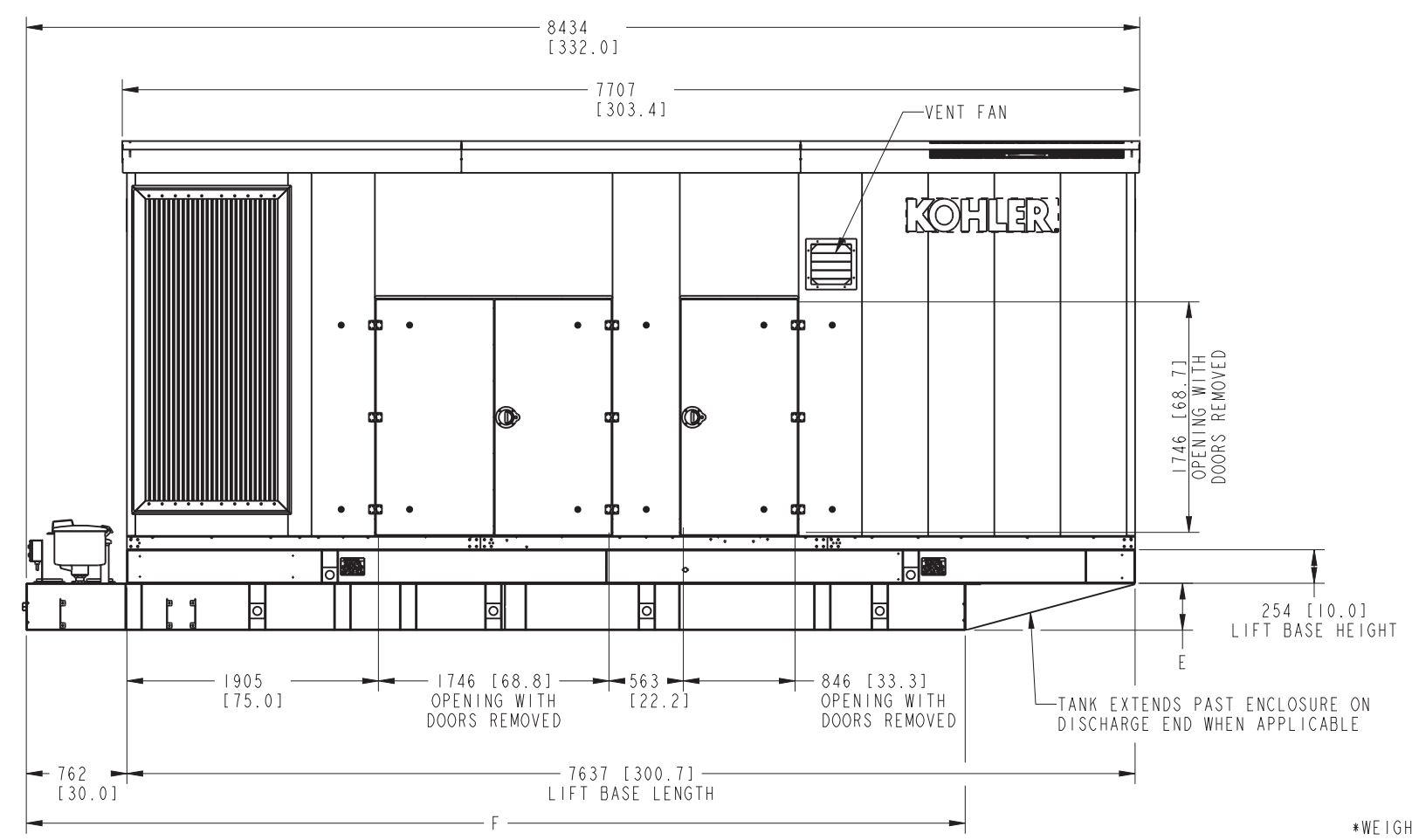
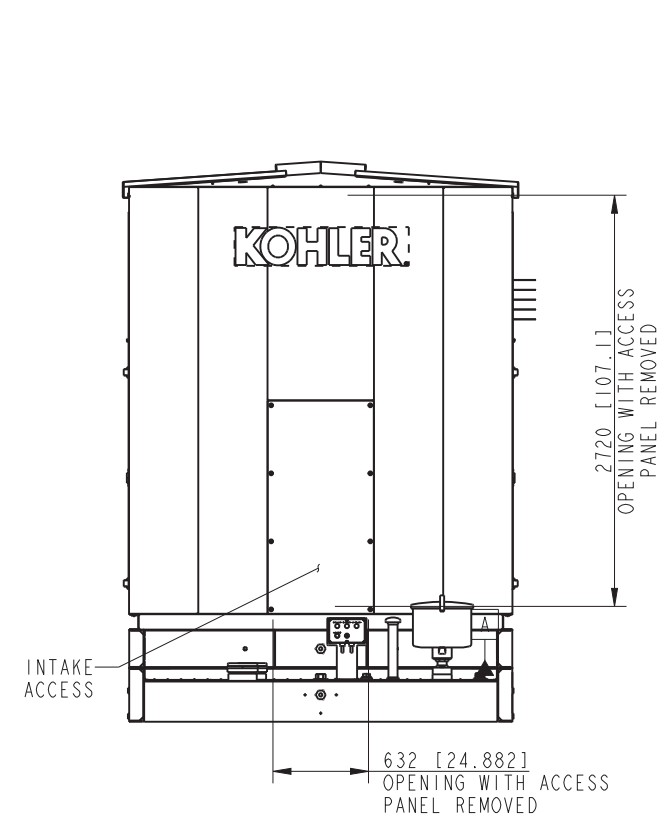
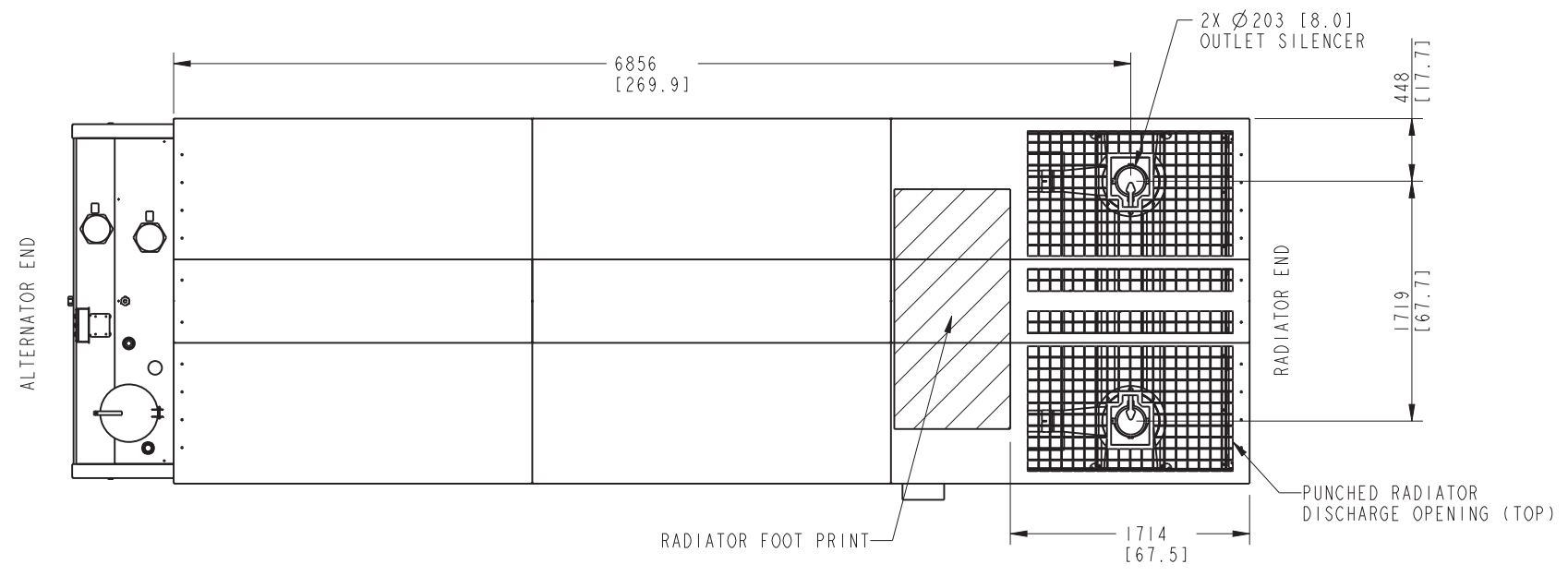


SL1 CENTER OF GRAVITY POINTS FOR ENCLOSURE, LIFT BASE AND TANK VARIATIONS

SL1 CENTER OF GRAVITY (CG) INFORMATION

| LITERS [GALLONS] MIN HOURS | GENSETS | VERTICAL C.G. DIM C MM [INCH] | HORIZONTAL C.G. DIM D MM [INCH] |
|-------------------------------|------------|----------------------------------|------------------------------------|
| SL1 LIFT BASE | KD800-1000 | 148 [5.8] | 3175 [125.0] |
| 3475 [918] 12 HOURS | KD800-1000 | 415 [16.3] | 3624 [142.7] |
| 6621 [1749] 24 HOURS | KD800-1000 | 415 [16.3] | 3624 [142.7] |
| 10573 [2793] 48 HOURS | KD800 | 415 [16.3] | 3624 [142.7] |
| 12969 [3426] 48 HOURS | KD900-1000 | 419 [16.5] | 4100 [161.4] |
| 15740 [4158] 72 HOURS | KD800 | 419 [16.5] | 4100 [161.4] |
| 19381 [5120] 72 HOURS | KD900-1000 | 449 [17.7] | 5337 [210.1] |

| REV | DATE | ON COMPOSITE DWGS, SEE PART NO. FOR REVISION LEVEL | BY | DO NOT SCALE. REFERENCE THE MODEL FOR ALL UNSPECIFIED DIMENSIONS | | | | | | | | |
|----------------------------------|-----------|--|-----|--|-----------|------|-----------|---------|-------------|---------|--------------|---------|
| - | 7-28-16 | NEW DRAWING [CT160284] | RMJ | <small>UNLESS OTHERWISE SPECIFIED: ALL DIMENSIONS IN MILLIMETERS GENERAL TOLERANCES: N/A</small>  KOHLER <small>KOHLER, WISCONSIN 53044</small> THIS DRAWING IN DESIGN AND DETAIL IS KOHLER CO. PROPERTY AND MUST NOT BE USED EXCEPT IN CONNECTION WITH KOHLER CO. WORK. ALL RIGHTS OF DESIGN OR INVENTION ARE RESERVED. TITLE DIMENSION PRINT KD800-1000 TANK & ENCLOSURE | | | | | | | | |
| A | 3-23-17 | SEE SHEET 5, 7 & 8 [CT172499] | PAS | | | | | | | | | |
| B | 3-29-17 | SEE SHEET 7, 8 & 9 [CT172948] | KMP | | | | | | | | | |
| C | 7-24-17 | SEE SHEET 1 & 3 [CT176858] | MVT | | | | | | | | | |
| D | 12-13-17 | SEE SHEET 5 [CT182350] | RVM | | | | | | | | | |
| E | 4-22-19 | (A-2) TOLERANCES REMOVED [CT194818] | SUD | | | | | | | | | |
| F | 12JAN2021 | SEE SHEET 3, 7 & 8 [CT207481] | ARP | | | | | | | | | |
| G | 02MAY2023 | SEE SHEET 5 [CT227188] | APM | | | | | | | | | |
| | | | | <table border="1"> <thead> <tr> <th>APPROVALS</th> <th>DATE</th> </tr> </thead> <tbody> <tr> <td>DRAWN RMJ</td> <td>7-28-16</td> </tr> <tr> <td>CHECKED RMJ</td> <td>7-28-16</td> </tr> <tr> <td>APPROVED BLM</td> <td>7-28-16</td> </tr> </tbody> </table> | APPROVALS | DATE | DRAWN RMJ | 7-28-16 | CHECKED RMJ | 7-28-16 | APPROVED BLM | 7-28-16 |
| APPROVALS | DATE | | | | | | | | | | | |
| DRAWN RMJ | 7-28-16 | | | | | | | | | | | |
| CHECKED RMJ | 7-28-16 | | | | | | | | | | | |
| APPROVED BLM | 7-28-16 | | | | | | | | | | | |
| SCALE 0.04 CAD NO. SHEET 2 of 10 | | | | DWG NO. ADV-8919 D | | | | | | | | |



*WEIGHT INCLUDES ENCLOSURE & SILENCER.
NOTE: DIMENSIONS IN [] ARE ENGLISH EQUIVALENTS

ALUM SL2 ENCLOSURE & SILENCER WEIGHT KG [LBS] 2120 [4674 LB]

| TANK & LIFT BASE INFORMATION | | | | |
|------------------------------|------------|-----------------|-----------------|---------------------------|
| LITERS [GALLONS] MIN HOURS | GENSETS | DIM E MM [INCH] | DIM F MM [INCH] | WEIGHT KG [LBS] (NO FUEL) |
| SL2 LIFT BASE | KD800-1000 | SEE NOTE | SEE NOTE | 1010 [2,226 LB] |
| 3475 [918] 12 HOURS | KD800-1000 | 356 [14.0] | 7112 [280.0] | 3588 [7,910 LB] |
| 6621 [1749] 24 HOURS | KD800-1000 | 584 [23.0] | 7112 [280.0] | 4068 [8,969 LB] |
| 10573 [2793] 48 HOURS | KD800 | 914 [36.0] | 7112 [280.0] | 4647 [10,246 LB] |
| 12969 [3426] 48 HOURS | KD900-1000 | 940 [37.0] | 8400 [330.7] | 5851 [12,900 LB] |
| 15740 [4158] 72 HOURS | KD800 | 1016 [40.0] | 9144 [360.0] | 6058 [13,356 LB] |
| 19381 [5120] 72 HOURS | KD900-1000 | 1016 [40.0] | 11050 [435.0] | 7030 [15,497 LB] |

TANK WEIGHT + LIFT BASE WEIGHT + ENCLOSURE WEIGHT + GENERATOR SET WEIGHT (REFERENCE FROM GENERATOR SET ADV) = TOTAL WEIGHT

800-1000KW SL2 ENCLOSURE AND LIFTING BASE WITH SUB BASE TANK OPTION

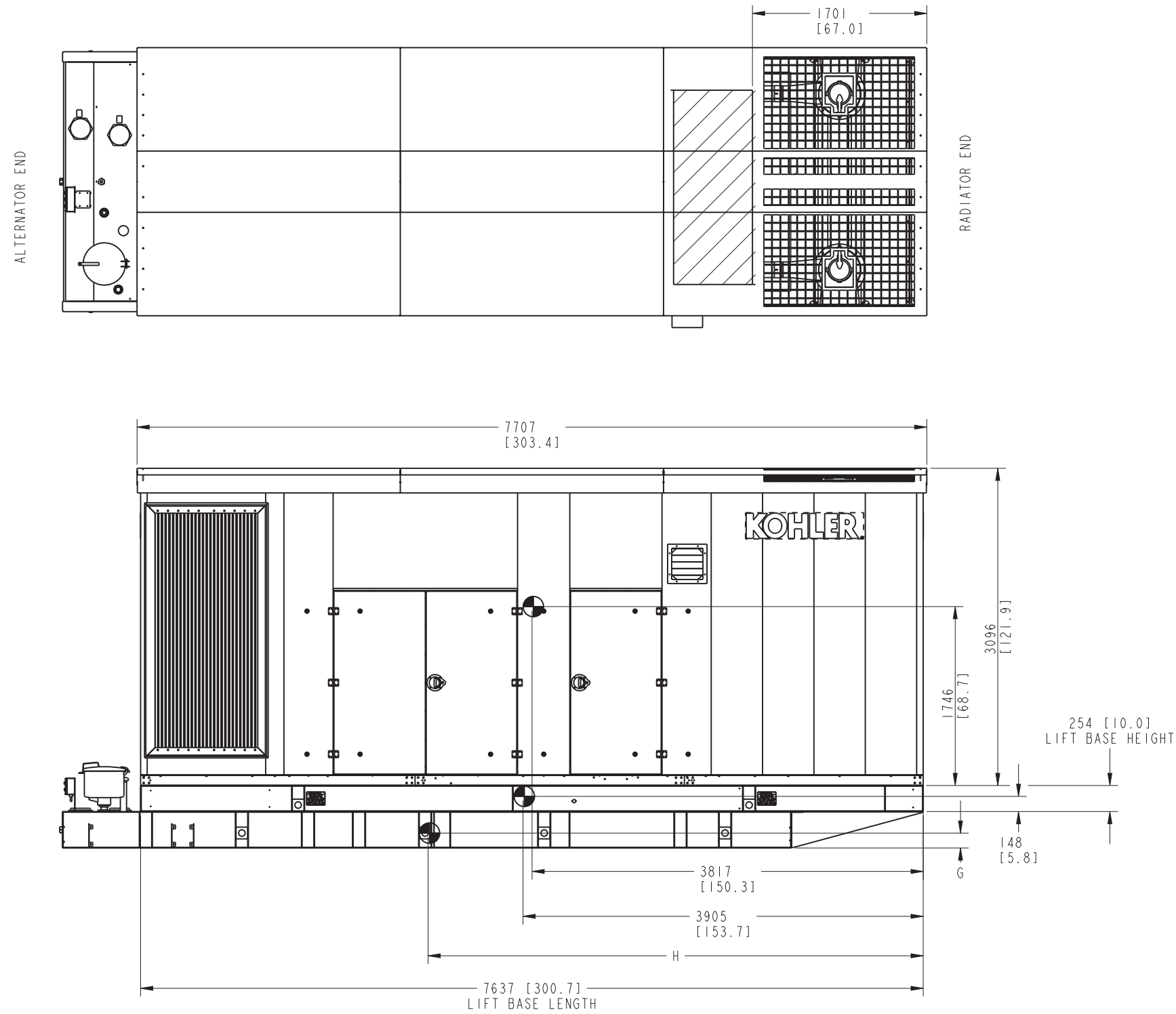
| REV | DATE | ON COMPOSITE DWGS. SEE PART NO. FOR REVISION LEVEL | BY | DO NOT SCALE. REFERENCE THE MODEL FOR ALL UNSPECIFIED DIMENSIONS |
|-----|-----------|---|-----|---|
| B | 3-29-17 | SEE SHEET 7, 8 & 9 [CT172948] | KMP | UNLESS OTHERWISE SPECIFIED: ALL DIMENSIONS IN MILLIMETERS GENERAL TOLERANCES: N/A |
| C | 7-24-17 | (D-3) 2X Ø222 DIMENSION ADDED; SEE SHEET 1 [CT176858] | MVT | |
| D | 12-13-17 | SEE SHEET 5 [CT182350] | RVM | |
| E | 4-22-19 | (A-3) TANK NOTE UPDATED; (A-2) TOLERANCES REMOVED [CT194818] | SUD | |
| F | 12JAN2021 | (D-3) "Ø203 [8.0]" WAS "Ø222 [8.8]"; SEE SHEET 7 & 8 [CT207481] | ARP | APPROVALS |
| G | 02MAY2023 | SEE SHEET 5 [CT227188] | APM | DATE |
| | | | | DRWN RMJ 7-28-16 |
| | | | | CHEK RMJ 7-28-16 |
| | | | | APPROV BLM 7-28-16 |

KOHLER
KOHLER, WISCONSIN 53044
THIS DRAWING IN DESIGN AND DETAIL IS KOHLER CO. PROPERTY AND MUST NOT BE USED EXCEPT IN CONNECTION WITH KOHLER CO. WORK. ALL RIGHTS OF DESIGN OR INVENTION ARE RESERVED.

TITLE: DIMENSION PRINT KD800-1000 TANK & ENCLOSURE

SCALE: 0.04 CAD NO. SHEET 3 of 10


DWG NO. **ADV-8919**

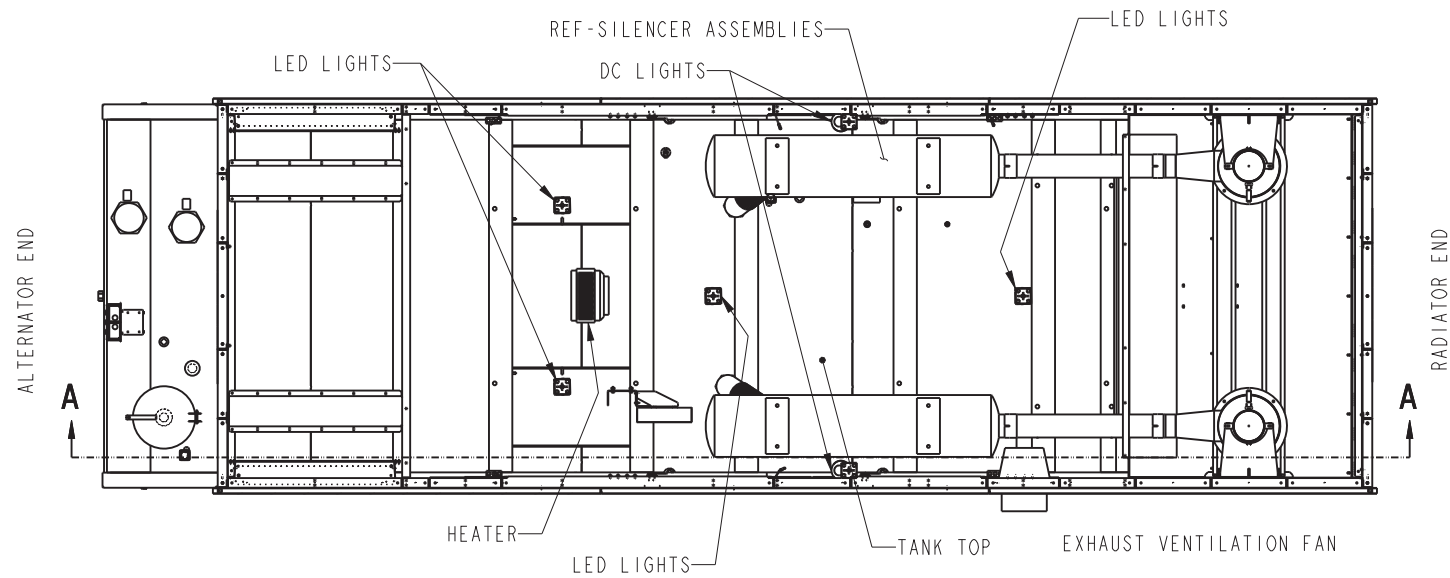


TANK CENTER OF GRAVITY INFORMATION

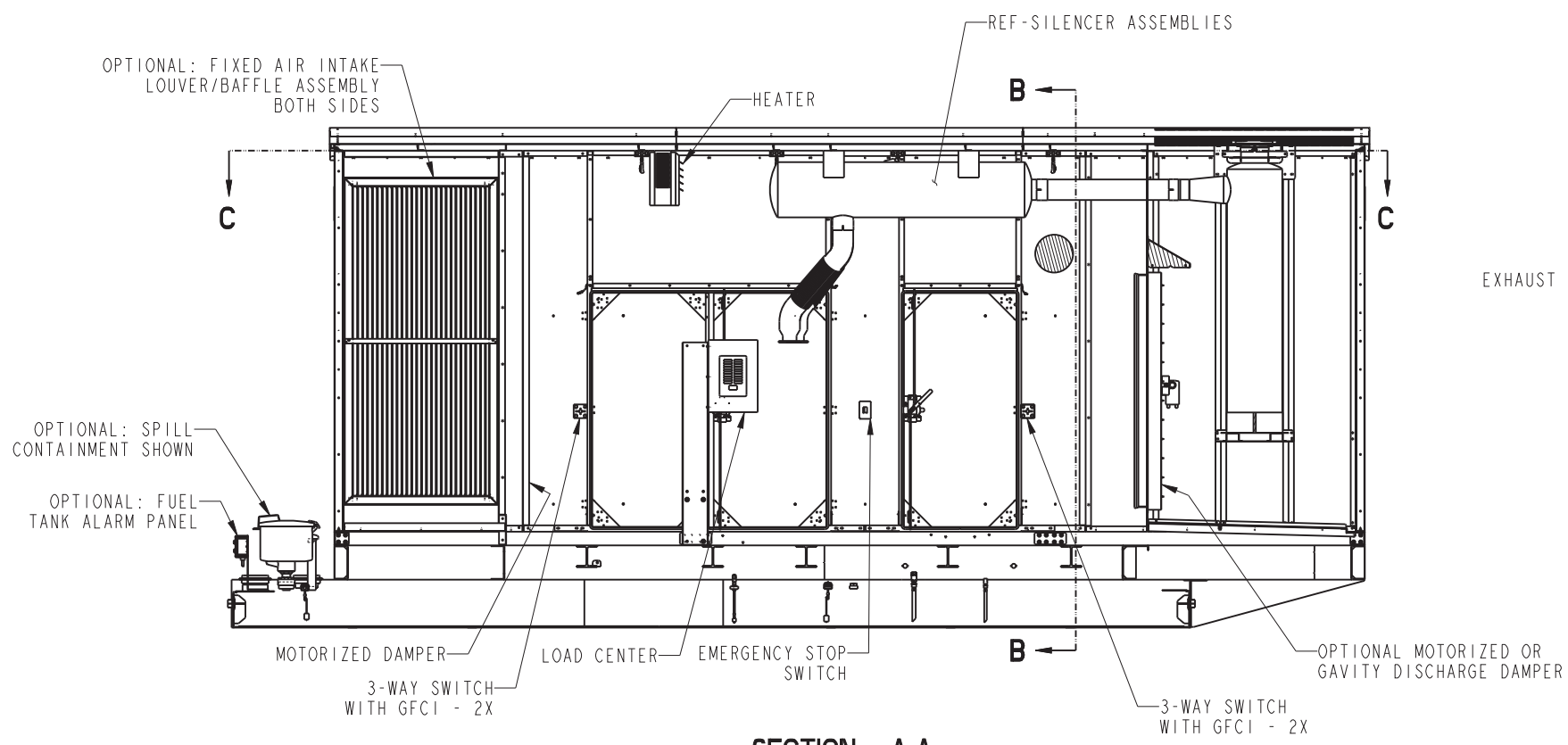
| LITERS [GALLONS] MIN HOURS | GENSETS | VERTICAL C.G. DIM G MM [INCH] | HORIZONTAL C.G. DIM H MM [INCH] |
|-------------------------------|------------|----------------------------------|------------------------------------|
| SL2 LIFT BASE | KD800-1000 | 127 [5.0] | 3819 [150.3] |
| 3475 [918] 12 HOURS | KD800-1000 | 415 [16.3] | 3624 [142.7] |
| 6621 [1749] 24 HOURS | KD800-1000 | 415 [16.3] | 3624 [142.7] |
| 10573 [2793] 48 HOURS | KD800 | 415 [16.3] | 3624 [142.7] |
| 12969 [3426] 48 HOURS | KD900-1000 | 419 [16.5] | 4100 [161.4] |
| 15740 [4158] 72 HOURS | KD800 | 419 [16.5] | 4100 [161.4] |
| 19381 [5120] 72 HOURS | KD900-1000 | 449 [17.7] | 5337 [210.1] |

SL2 CENTER OF GRAVITY POINTS FOR ENCLOSURE, LIFT BASE AND TANK VARIATIONS

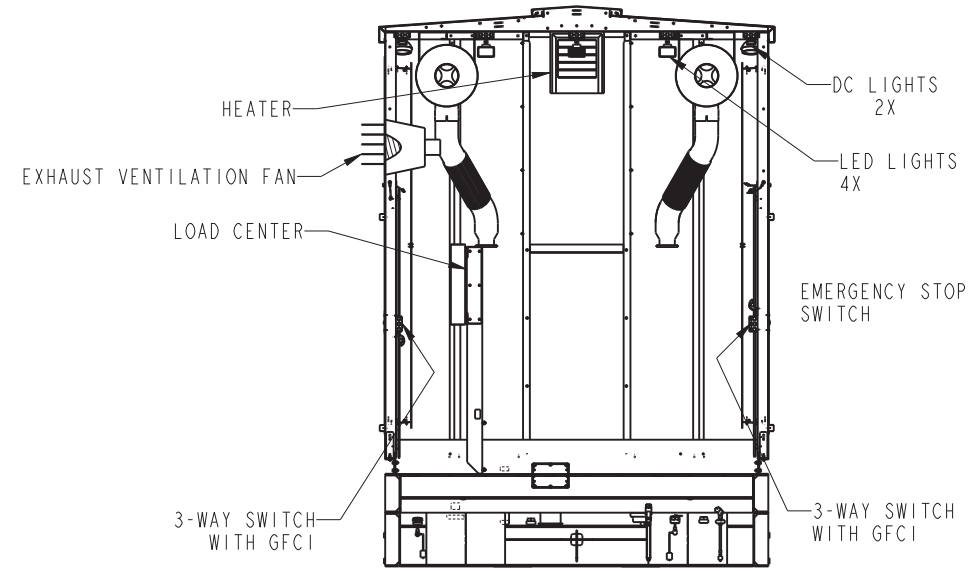
| REV | DATE | ON COMPOSITE DWGS, SEE PART NO. FOR REVISION LEVEL | BY | DO NOT SCALE. REFERENCE THE MODEL FOR ALL UNSPECIFIED DIMENSIONS | | | | | | | | |
|----------------------------------|-----------|--|-----|--|-----------|------|-----------|---------|-------------|---------|--------------|---------|
| - | 7-28-16 | NEW DRAWING [CT160284] | RMJ | <small>UNLESS OTHERWISE SPECIFIED: ALL DIMENSIONS IN MILLIMETERS GENERAL TOLERANCES: N/A</small>  KOHLER <small>KOHLER, WISCONSIN 53044</small> THIS DRAWING IN DESIGN AND DETAIL IS KOHLER CO. PROPERTY AND MUST NOT BE USED EXCEPT IN CONNECTION WITH KOHLER CO. WORK. ALL RIGHTS OF DESIGN OR INVENTION ARE RESERVED. TITLE DIMENSION PRINT KD800-1000 TANK & ENCLOSURE | | | | | | | | |
| A | 3-23-17 | SEE SHEET 5, 7 & 8 [CT172499] | PAS | | | | | | | | | |
| B | 3-29-17 | SEE SHEET 7, 8 & 9 [CT172948] | KMP | | | | | | | | | |
| C | 7-24-17 | SEE SHEET 1 & 3 [CT176858] | MVT | | | | | | | | | |
| D | 13-12-17 | SEE SHEET 5 [CT182350] | RVM | | | | | | | | | |
| E | 4-22-19 | (A-2) TOLERANCES REMOVED [CT194818] | SUD | | | | | | | | | |
| F | 12JAN2021 | SEE SHEET 3, 7 & 8 [CT207481] | ARP | | | | | | | | | |
| G | 02MAY2023 | SEE SHEET 5 [CT227188] | APM | | | | | | | | | |
| | | | | <table border="1"> <thead> <tr> <th>APPROVALS</th> <th>DATE</th> </tr> </thead> <tbody> <tr> <td>DRAWN RMJ</td> <td>7-28-16</td> </tr> <tr> <td>CHECKED RMJ</td> <td>7-28-16</td> </tr> <tr> <td>APPROVED BLM</td> <td>7-28-16</td> </tr> </tbody> </table> | APPROVALS | DATE | DRAWN RMJ | 7-28-16 | CHECKED RMJ | 7-28-16 | APPROVED BLM | 7-28-16 |
| APPROVALS | DATE | | | | | | | | | | | |
| DRAWN RMJ | 7-28-16 | | | | | | | | | | | |
| CHECKED RMJ | 7-28-16 | | | | | | | | | | | |
| APPROVED BLM | 7-28-16 | | | | | | | | | | | |
| SCALE 0.04 CAD NO. SHEET 4 of 10 | | | | ADV-8919 D | | | | | | | | |



SECTION C-C
TOP VIEW OF SL2 ENCLOSURE SHOWN WITH ROOF REMOVED TO SHOW OPTION LOCATIONS



SECTION A-A
RIGHT SIDE OF SL2 ENCLOSURE SHOWN WITH SIDE PANELS REMOVED FOR CLARITY



SECTION B-B
OUTER PANELS TO INTAKE REMOVE TO CLARIFY POSITION OF LOAD CENTER PANEL, LIGHTS, HEATER, FAN & SWITCHES

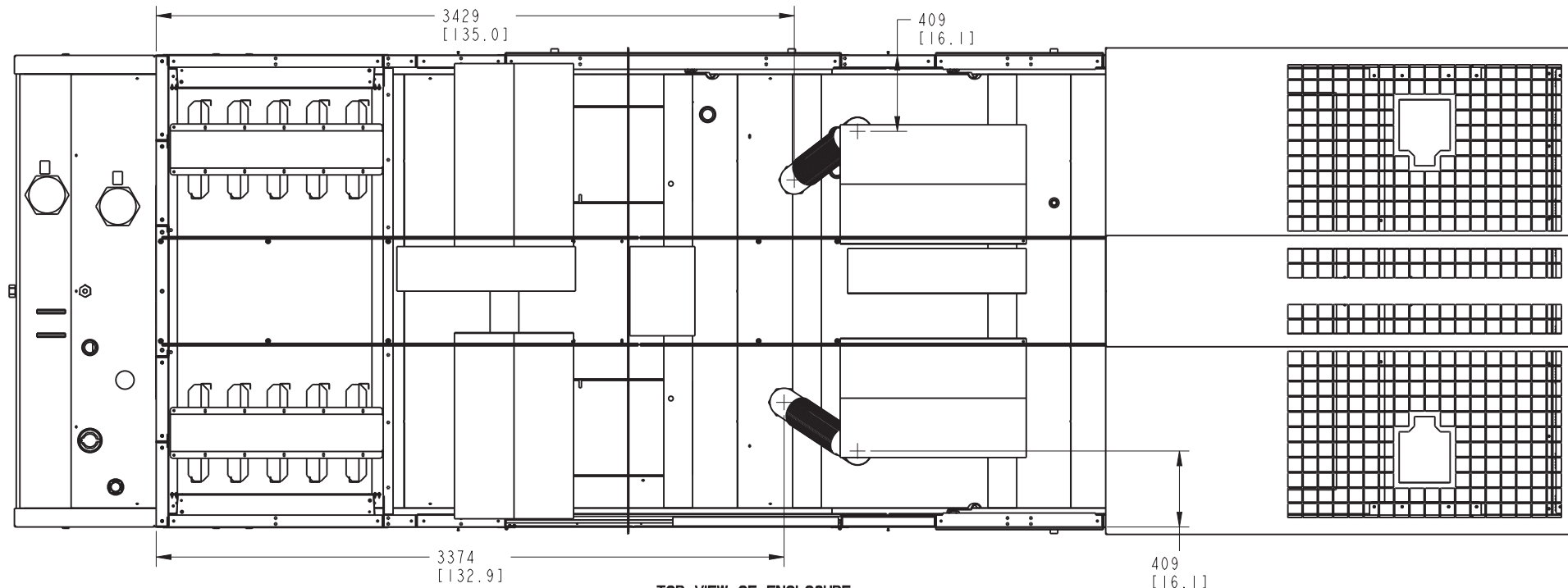
ELECTRICAL, ENCLOSURE & TANK ACCESSORY OPTIONS

| REV | DATE | ON COMPOSITE DWGS. SEE PART NO. FOR REVISION LEVEL | BY | DO NOT SCALE. REFERENCE THE MODEL FOR ALL UNSPECIFIED DIMENSIONS | | | | | | | | |
|--------------|-----------|---|-----|--|---|-----------|------|-----------|---------|-------------|---------|--------------|
| B | 3-29-17 | SEE SHEET 7, 8 & 9 [CT172948] | KMP | <small>UNLESS OTHERWISE SPECIFIED: ALL DIMENSIONS IN MILLIMETERS GENERAL TOLERANCES: N/A</small> KOHLER. <small>KOHLER, WISCONSIN 53044</small> THIS DRAWING IN DESIGN AND DETAIL IS KOHLER CO. PROPERTY AND MUST NOT BE USED EXCEPT IN CONNECTION WITH KOHLER CO. WORK. ALL RIGHTS OF DESIGN OR INVENTION ARE RESERVED. | | | | | | | | |
| C | 7-24-17 | SEE SHEET 1 & 3 [CT176858] | MVT | | | | | | | | | |
| D | 12-13-17 | VIEWS UPDATED FOR HEATER BRACKET CHANGE [CT182350] | RVM | | | | | | | | | |
| E | 4-22-19 | (A-2) TOLERANCES REMOVED [CT194818] | SUD | | | | | | | | | |
| F | 12JAN2021 | SEE SHEET 3, 7 & 8 [CT207481] | ARP | | | | | | | | | |
| G | 02MAY2023 | (B,C,D-2,5,6) LED LIGHT WAS INCANDESCENT LIGHT [CT227188] | APM | | | | | | | | | |
| | | | | | <table border="1"> <tr> <th>APPROVALS</th> <th>DATE</th> </tr> <tr> <td>DRAWN RMJ</td> <td>7-28-16</td> </tr> <tr> <td>CHECKED RMJ</td> <td>7-28-16</td> </tr> <tr> <td>APPROVED BLM</td> <td>7-28-16</td> </tr> </table> | APPROVALS | DATE | DRAWN RMJ | 7-28-16 | CHECKED RMJ | 7-28-16 | APPROVED BLM |
| APPROVALS | DATE | | | | | | | | | | | |
| DRAWN RMJ | 7-28-16 | | | | | | | | | | | |
| CHECKED RMJ | 7-28-16 | | | | | | | | | | | |
| APPROVED BLM | 7-28-16 | | | | | | | | | | | |

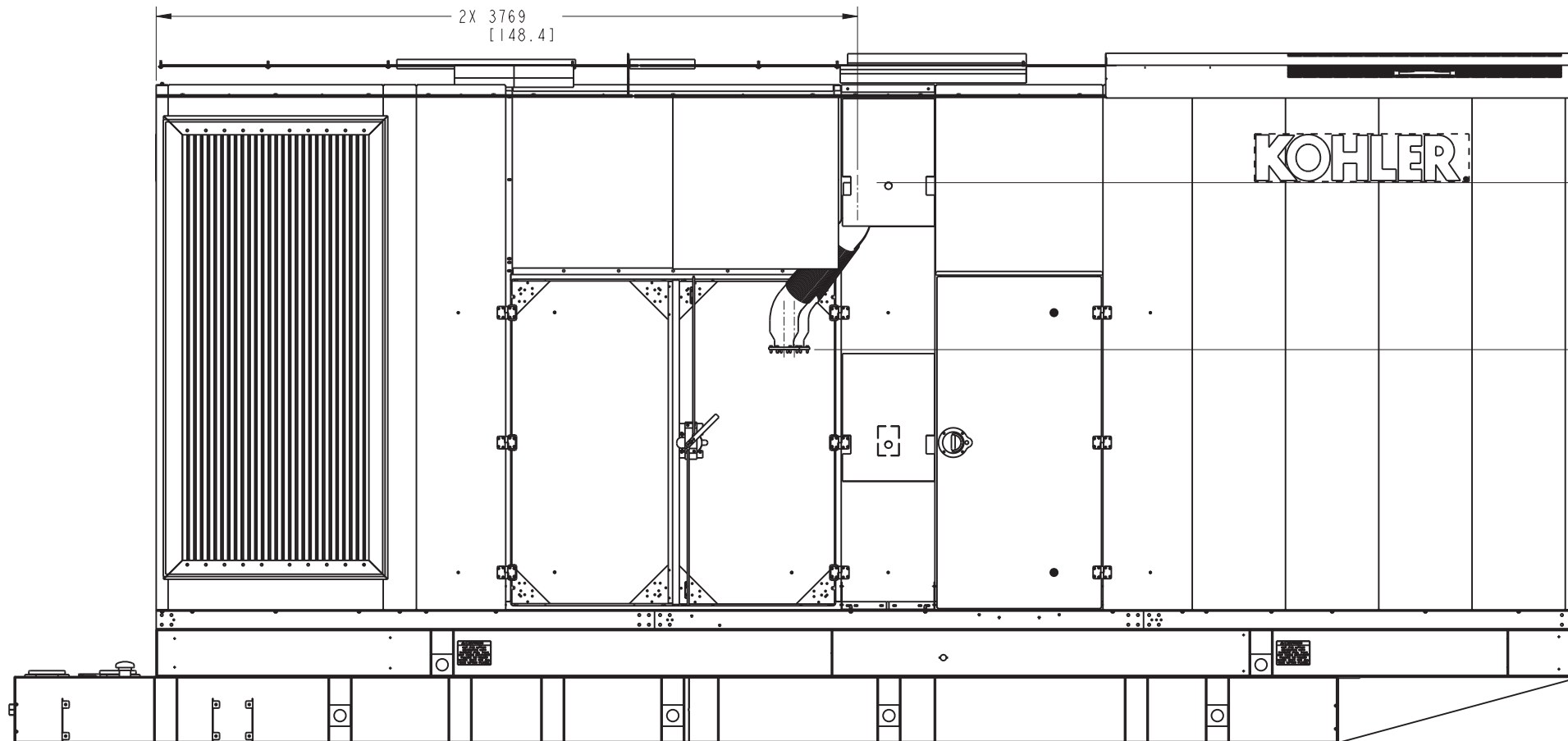
TITLE
DIMENSION PRINT KD800-1000 TANK & ENCLOSURE

SCALE 0.04 CAD NO. SHEET 5 of 10
 DWG NO. **ADV-8919**

ALTERNATOR END



TOP VIEW OF ENCLOSURE
ROOF PANELS REMOVED FOR CLARITY



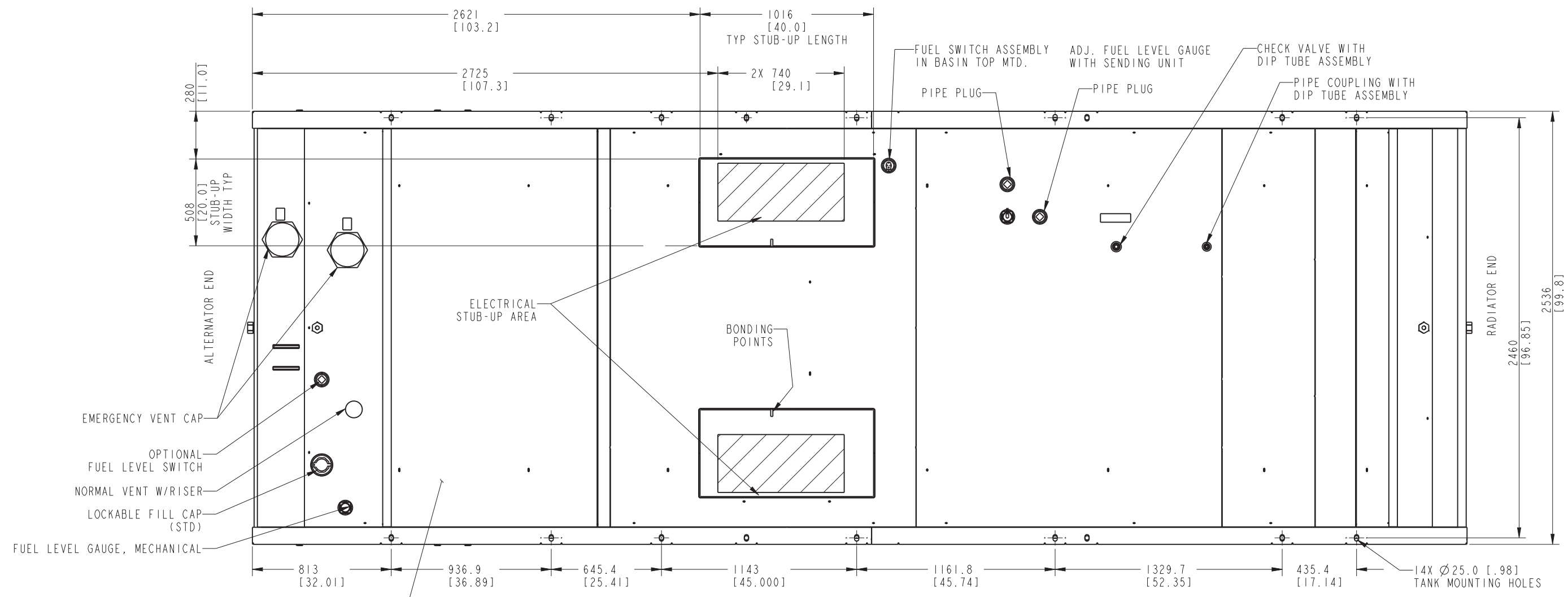
SCALE 0.060
SIDE VIEW OF ENCLOSURE
SIDE PANELS AND DOORS REMOVED FOR CLARITY

KD800-1000KW
SL2 ENCLOSURE, AQMD

| REV | DATE | ON COMPOSITE DWGS. SEE PART NO. FOR REVISION LEVEL | BY | DO NOT SCALE. REFERENCE THE MODEL FOR ALL UNSPECIFIED DIMENSIONS |
|-----|-----------|--|-----|--|
| - | 7-28-16 | NEW DRAWING [CT160284] | RMJ | <small>UNLESS OTHERWISE SPECIFIED: ALL DIMENSIONS IN MILLIMETERS GENERAL TOLERANCES: N/A</small> KOHLER. <small>KOHLER, WISCONSIN 53044</small> THIS DRAWING IN DESIGN AND DETAIL IS KOHLER CO. PROPERTY AND MUST NOT BE USED EXCEPT IN CONNECTION WITH KOHLER CO. WORK. ALL RIGHTS OF DESIGN OR INVENTION ARE RESERVED. TITLE DIMENSION PRINT KD800-1000 TANK & ENCLOSURE SCALE 0.04 CAD NO. SHEET 6 of 10 DWG NO. ADV-8919 |
| A | 3-23-17 | SEE SHEET 5, 7 & 8 [CT172499] | PAS | |
| B | 3-29-17 | SEE SHEET 7, 8 & 9 [CT172948] | KMP | |
| C | 7-24-17 | SEE SHEET 1 & 3 [CT176858] | MVT | |
| D | 13-12-17 | SEE SHEET 5 [CT182350] | RVM | |
| E | 4-22-19 | (A-2) TOLERANCES REMOVED [CT194818] | SUD | |
| F | 12JAN2021 | SEE SHEET 3, 7 & 8 [CT207481] | ARP | |
| G | 02MAY2023 | SEE SHEET 5 [CT227188] | APM | |

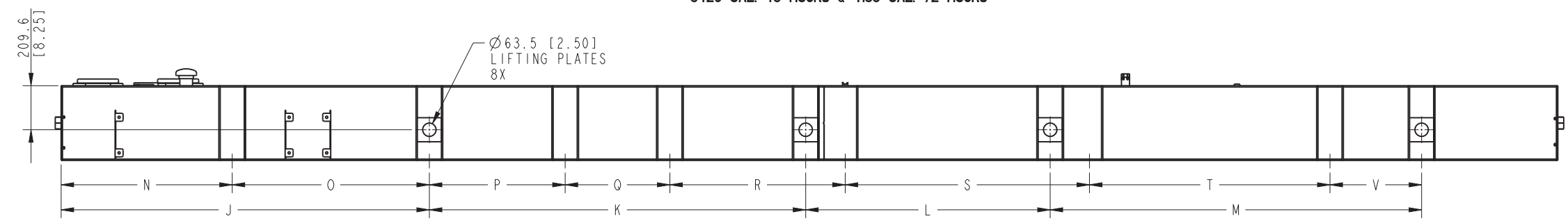
TOP OF LIFT BASE

RADIATOR END



SCALE 0.08

LIFT BASE MOUNTING HOLE LOCATIONS
 918 GAL. 12 HOUR TANK SHOWN
 ALSO REFERENCING TANKS:
 1749 GAL. 24 HOURS, 2793 GAL. 48 HOURS,
 3426 GAL. 48 HOURS & 4158 GAL. 72 HOURS

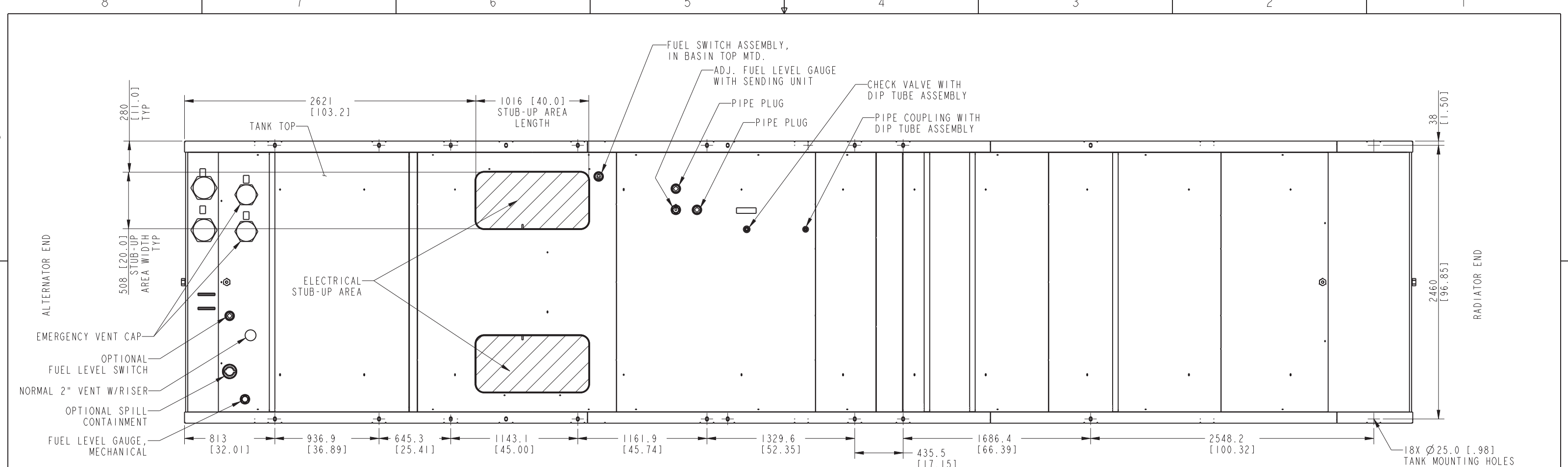


TANK LIFT HOLE LOCATIONS
 918 GAL. 12 HOUR TANK SHOWN
 ALSO REFERENCING TANKS:
 1749 GAL. 24 HOURS, 2793 GAL. 48 HOURS

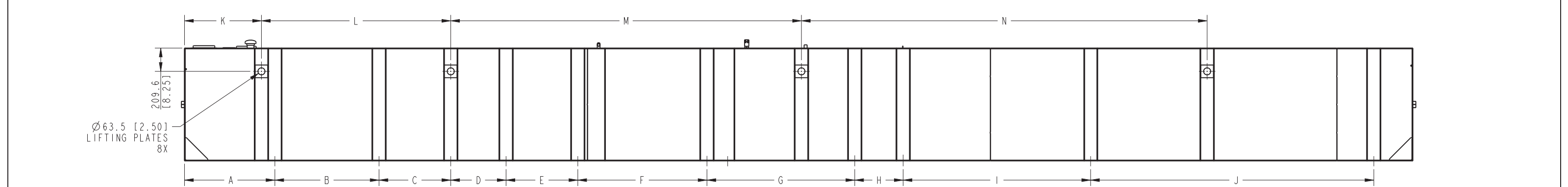
| TANK MOUNTING INFORMATION | | | | | | | | |
|----------------------------|------------|---------------|---------------|---------------|---------------|----------------|----------------|---------------|
| LITERS [GALLONS] MIN HOURS | DIM "N" | DIM "O" | DIM "P" | DIM "Q" | DIM "R" | DIM "S" | DIM "T" | DIM "V" |
| 3475 [918] 12 HOURS | 813 [32.0] | 936.9 [36.89] | 645.4 [25.41] | 497.6 [19.59] | 833.2 [32.80] | 1160.7 [45.70] | 1143 [45.0] | 435.5 [17.15] |
| 6621 [1749] 24 HOURS | 813 [32.0] | 936.9 [36.89] | 645.4 [25.41] | 497.6 [19.59] | 645.4 [25.41] | 1348.4 [53.09] | 1143 [45.0] | 435.5 [17.15] |
| 10573 [2793] 48 HOURS | 813 [32.0] | 936.9 [36.89] | 645.4 [25.41] | 497.6 [19.59] | 645.4 [25.41] | 1161.9 [45.74] | 1329.6 [52.35] | 435.5 [17.15] |

| TANK LIFT PLATE INFORMATION | | | | |
|-----------------------------|---------------|---------------|---------------|---------------|
| LITERS [GALLONS] MIN HOURS | DIMENSION "J" | DIMENSION "K" | DIMENSION "L" | DIMENSION "M" |
| 3475 [918] 12 HOURS | 1750 [68.9] | 1788 [70.4] | 1162 [45.7] | 1765 [69.5] |
| 6621 [1749] 24 HOURS | 1750 [68.9] | 1788 [70.4] | 1162 [45.7] | 1765 [69.5] |
| 10573 [2793] 48 HOURS | 1750 [68.9] | 1788 [70.4] | 1162 [45.7] | 1765 [69.5] |

| REV | DATE | ON COMPOSITE DWGS. SEE PART NO. FOR REVISION LEVEL | BY | DO NOT SCALE. REFERENCE THE MODEL FOR ALL UNSPECIFIED DIMENSIONS |
|-----|-----------|--|-----|---|
| B | 3-29-17 | (A-2 THRU-7) DIM N THRU V ADDED; (A-8) TANK MOUNTING INFORMATION TABLE ADDED; SEE SHEET 8 & 9 [CTI72948] | KMP | UNLESS OTHERWISE SPECIFIED: ALL DIMENSIONS IN MILLIMETERS GENERAL TOLERANCES: N/A |
| C | 7-24-17 | SEE SHEET 1 & 3 [CTI76858] | MVT | <p>KOHLER KOHLER, WISCONSIN 53044 THIS DRAWING IN DESIGN AND DETAIL IS KOHLER CO. PROPERTY AND MUST NOT BE USED EXCEPT IN CONNECTION WITH KOHLER CO. WORK. ALL RIGHTS OF DESIGN OR INVENTION ARE RESERVED.</p> |
| D | 13-12-17 | SEE SHEET 5 [CTI82350] | RVM | |
| E | 4-22-19 | (A-2) TOLERANCES REMOVED [CTI94818] | SUD | TITLE DIMENSION PRINT KD800-1000 TANK & ENCLOSURE |
| F | 12JAN2021 | (B-5,4) "LIFT BASE...LOCATIONS" WAS "MOUNTING...LOCATIONS"; SEE SHEET 3 & 8 [CT207481] | ARP | APPROVALS DATE DRAWN RMJ 7-28-16 CHECKED RMJ 7-28-16 APPROVED BLM 7-28-16 |
| G | 02MAY2023 | SEE SHEET 5 [CT227188] | APM | SCALE 0.04 CAD NO. SHEET 7 of 10 DWG NO. ADV-8919 |



SCALE 0.06
LIFT BASE MOUNTING HOLE LOCATIONS
5120 GAL. 72 HOUR TANK SHOWN

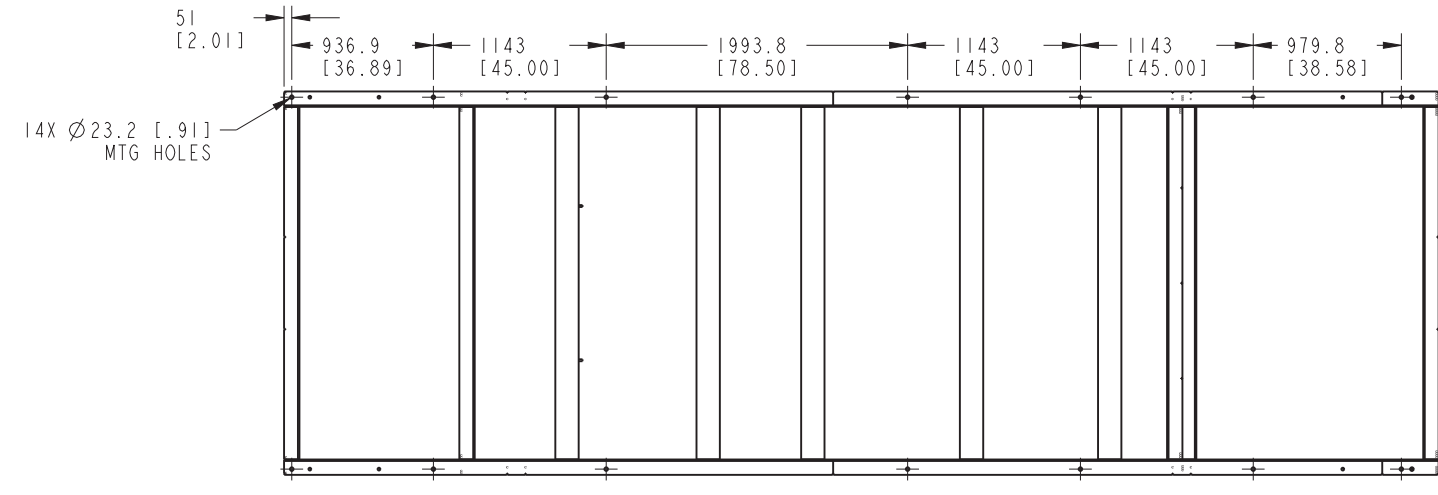
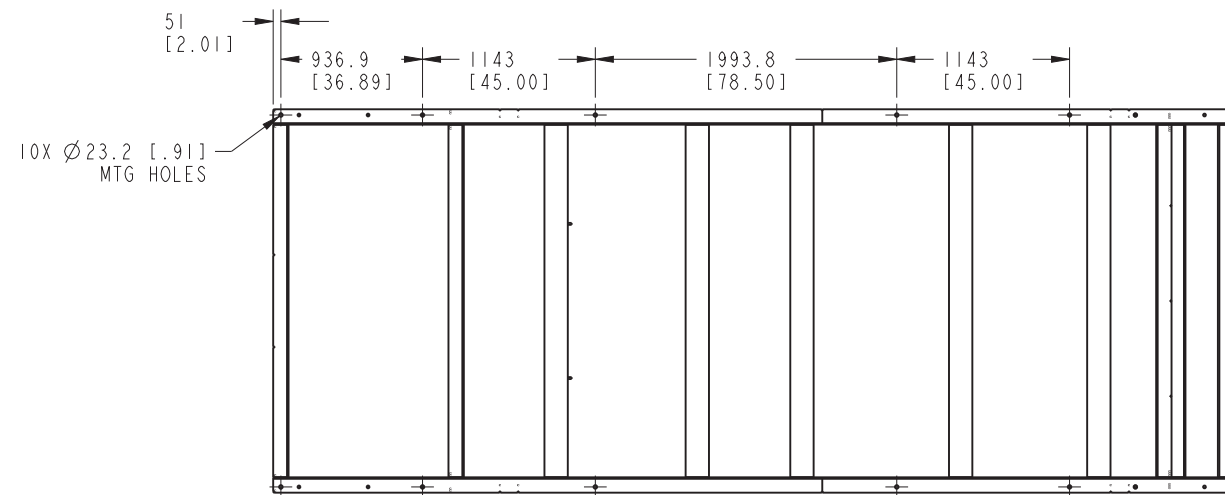
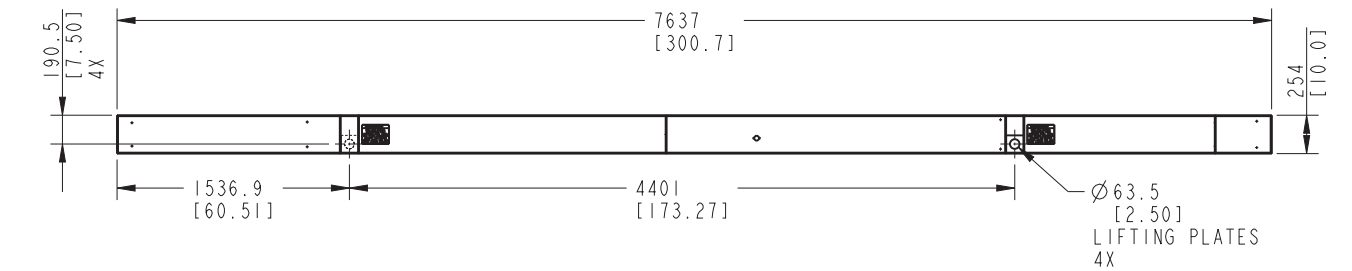
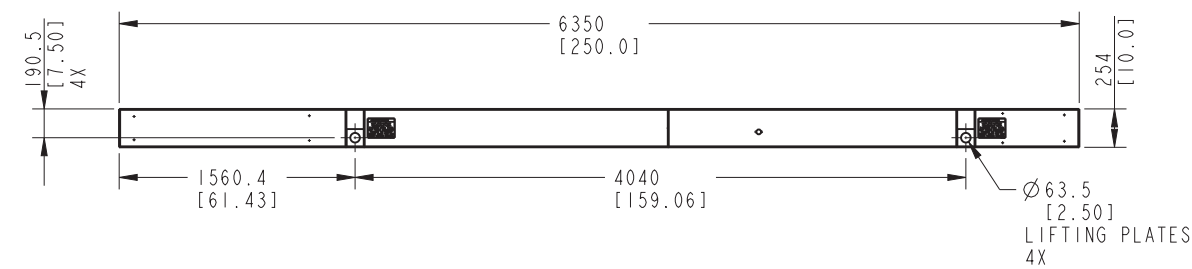
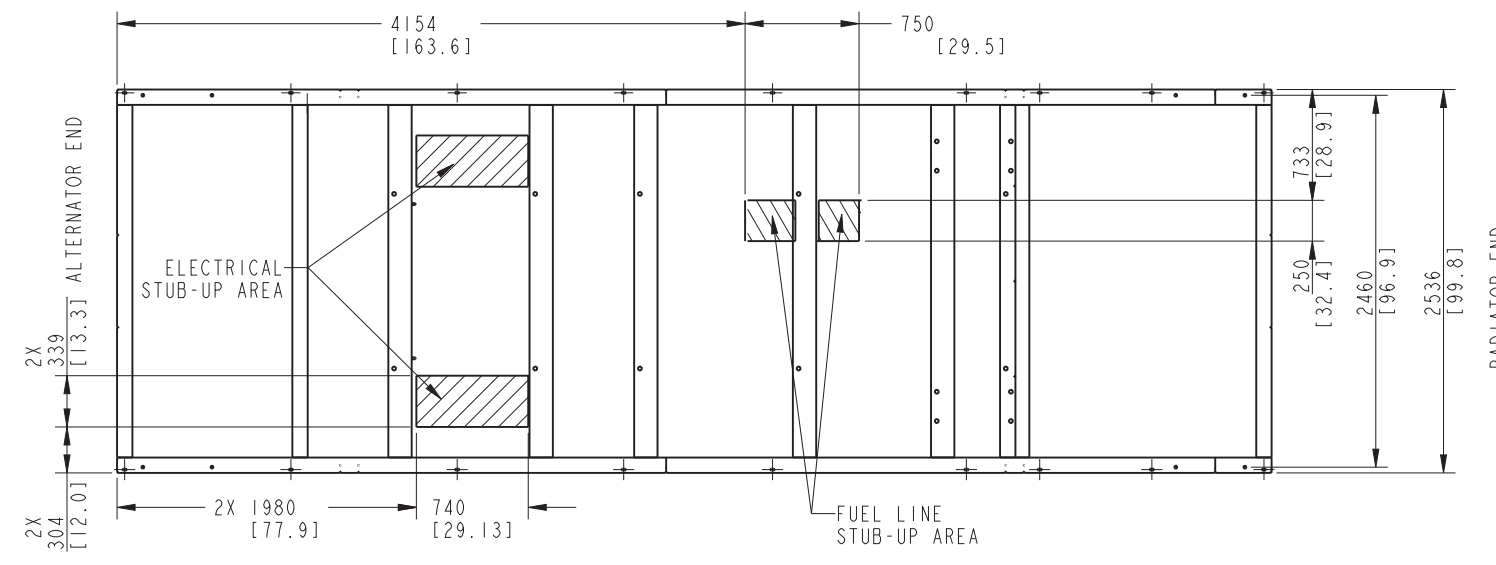
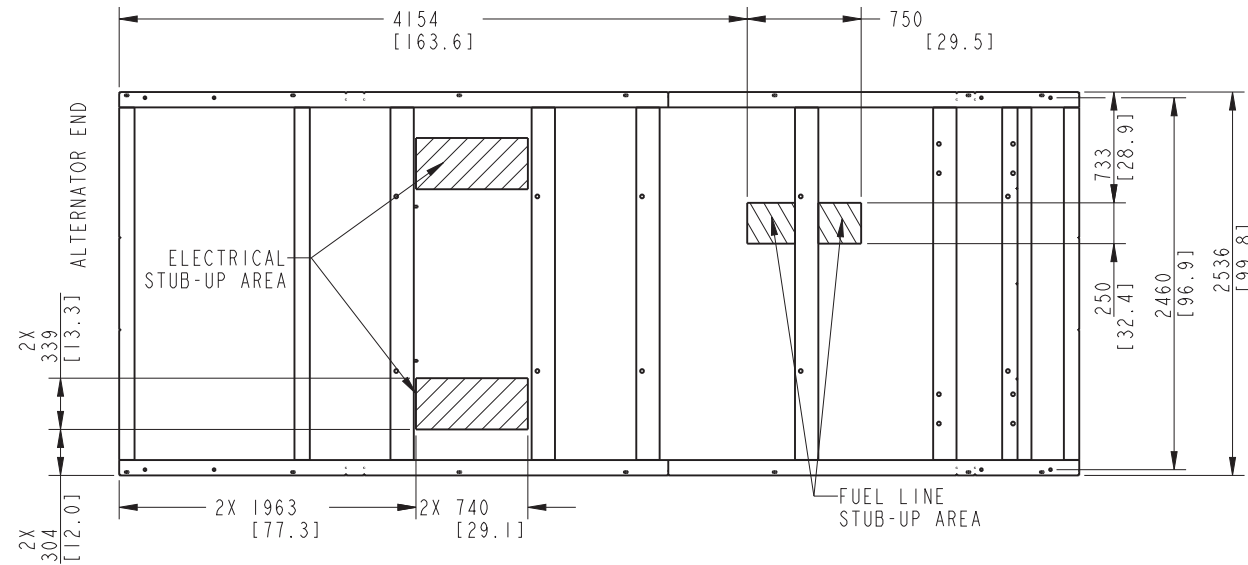


TANK LIFTING HOLE LOCATIONS
5120 GAL. 72 HOUR TANK SHOWN
ALSO REFERING TANK:
3426 GAL. 48 HOURS &
4158 GAL. 72 HOURS

| TANK LIFT PLATE INFORMATION | | | | |
|-----------------------------|---------------|---------------|---------------|---------------|
| LITERS [GALLONS] MIN HOURS | DIMENSION "K" | DIMENSION "L" | DIMENSION "M" | DIMENSION "N" |
| 12969 [3426] 48 HOURS | 813 [32.0] | 937 [36.9] | 4715 [185.6] | 1565 [61.6] |
| 15740 [4158] 72 HOURS | 344 [13.5] | 1527 [60.1] | 4159 [63.7] | 1714 [67.5] |
| 19381 [5120] 72 HOURS | 692 [27.25] | 1703 [67] | 3155 [124.2] | 3650 [143.7] |

| TANK MOUNTING INFORMATION | | | | | | | | | | |
|----------------------------|------------|---------------|---------------|---------------|---------------|----------------|----------------|---------------|----------------|-----------------|
| LITERS [GALLONS] MIN HOURS | DIM "A" | DIM "B" | DIM "C" | DIM "D" | DIM "E" | DIM "F" | DIM "G" | DIM "H" | DIM "I" | DIM "J" |
| 12969 [3426] 48 HOURS | 813 [32.0] | 936.9 [36.89] | 645.4 [25.41] | 497.6 [19.59] | 645.4 [25.41] | 1161.9 [45.74] | 1329.6 [52.35] | 435.5 [17.15] | 1564.8 [61.61] | - |
| 15740 [4158] 72 HOURS | 813 [32.0] | 936.9 [36.89] | 645.4 [25.41] | 497.6 [19.59] | 645.4 [25.41] | 1161.9 [45.74] | 1329.6 [52.35] | 435.5 [17.15] | 1757 [69.2] | - |
| 19381 [5120] 72 HOURS | 813 [32.0] | 936.9 [36.89] | 645.4 [25.41] | 497.6 [19.59] | 645.4 [25.41] | 1161.9 [45.74] | 1329.6 [52.35] | 435.5 [17.15] | 1686.4 [66.39] | 2548.2 [100.32] |

| REV | DATE | ON COMPOSITE DWGS. SEE PART NO. FOR REVISION LEVEL | BY | DO NOT SCALE. REFERENCE THE MODEL FOR ALL UNSPECIFIED DIMENSIONS |
|-----|-----------|---|-----|---|
| B | 3-29-17 | (B-2 THRU-7) DIM A THRU N ADDED; (A-8) TABLES FOR TANK MOUNTING & TANK LIFT PLATE INFORMATION ADDED; SEE SHEET 7 & 9 [CT172948] | KMP | <small>UNLESS OTHERWISE SPECIFIED: ALL DIMENSIONS IN MILLIMETERS GENERAL TOLERANCES: N/A</small> KOHLER <small>KOHLER, WISCONSIN 53044</small> THIS DRAWING IN DESIGN AND DETAIL IS KOHLER CO. PROPERTY AND MUST NOT BE USED EXCEPT IN CONNECTION WITH KOHLER CO. WORK. ALL RIGHTS OF DESIGN OR INVENTION ARE RESERVED. TITLE DIMENSION PRINT KD800-1000 TANK & ENCLOSURE <small>SCALE 0.04 CAD NO. SHEET 8 of 10</small> ADV-8919 |
| C | 7-24-17 | SEE SHEET 1 & 3 [CT176858] | MVT | |
| D | 13-12-17 | SEE SHEET 5 [CT182350] | RVM | |
| E | 4-22-19 | (A-2) TOLERANCES REMOVED [CT194818] | SUD | |
| F | 12JAN2021 | (B-5,4) "LIFT BASE...LOCATIONS" WAS "MOUNTING...LOCATIONS"; SEE SHEET 3 & 7 [CT207481] | ARP | |
| | | | APM | |
| G | 02MAY2023 | SEE SHEET 5 [CT227188] | APM | |



LIFTING BASE FOR ENCLOSURE SL1
BOTTOM VIEW

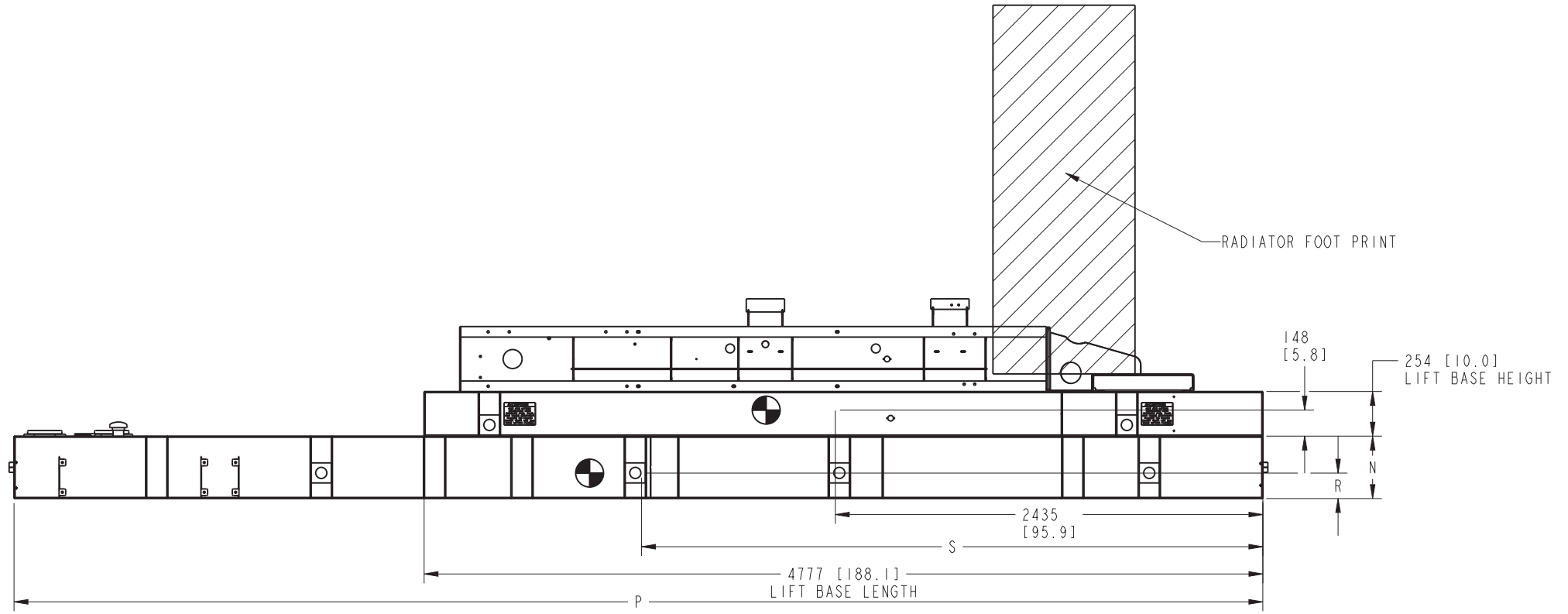
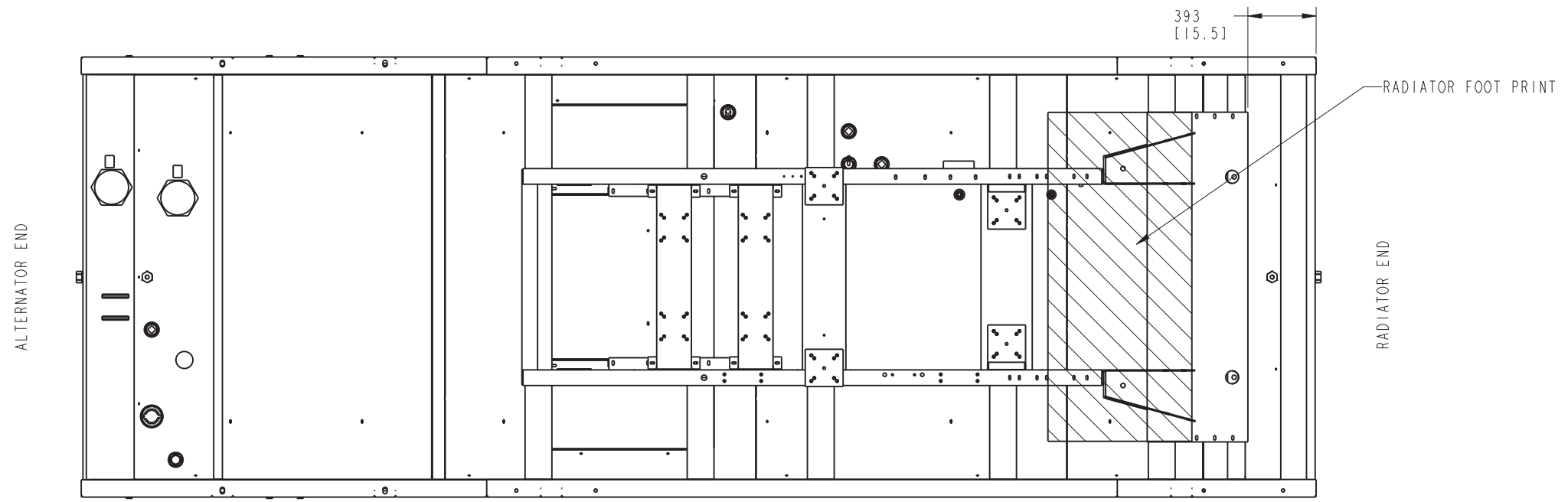
LIFTING BASE FOR ENCLOSURE SL2
BOTTOM VIEW

| REV | DATE | ON COMPOSITE DWGS. SEE PART NO. FOR REVISION LEVEL | BY | DO NOT SCALE. REFERENCE THE MODEL FOR ALL UNSPECIFIED DIMENSIONS |
|-----|-----------|---|-----|---|
| - | 7-28-16 | NEW DRAWING [CT160284] | RMJ | UNLESS OTHERWISE SPECIFIED: ALL DIMENSIONS IN MILLIMETERS GENERAL TOLERANCES: N/A |
| A | 3-23-17 | SEE SHEET 5, 7 & 8 [CT172499] | PAS | |
| B | 3-29-17 | (D-1,5) DIM 2460 [96.9] ADDED; SEE SHEET 7 & 8 [CT172948] | KMP | |
| C | 7-24-17 | SEE SHEET 1 & 3 [CT176858] | MVT | |
| D | 13-12-17 | SEE SHEET 5 [CT182350] | RVM | |
| E | 4-22-19 | (A-2) TOLERANCES REMOVED [CT194818] | SUD | |
| F | 12JAN2021 | SEE SHEET 3, 7 & 8 [CT207481] | ARP | APPROVALS |
| G | 02MAY2023 | SEE SHEET 5 [CT227188] | APM | DATE |
| | | | | 7-28-16 |
| | | | | 7-28-16 |

SCALE 0.04 CAD NO. SHEET 9 of 10

TITLE DIMENSION PRINT KD800-1000 TANK & ENCLOSURE

ADV-8919



SCALE 0.060
 CENTER OF GRAVITY POINTS FOR
 LIFT BASE AND TANK VARIATIONS
 NO ENCLOSURE

TANK WEIGHT + LIFT BASE WEIGHT +
 GENERATOR SET WEIGHT (REFERENCE FROM
 GENERATOR SET ADV) = TOTAL WEIGHT

TANK & LIFT BASE INFORMATION

| LITERS [GALLONS] MIN HOURS | GENSETS | DIM N MM [INCH] | DIM P MM [INCH] | WEIGHT KG [LBS] (NO FUEL) | VERTICAL C.G. DIM R MM [INCH] | HORIZONTAL C.G. DIM S MM [INCH] |
|-------------------------------|------------|-----------------|-----------------|------------------------------|----------------------------------|------------------------------------|
| OPEN LIFT BASE | KD800-1000 | SEE NOTE | SEE NOTE | 729 [1,608 LB] | 148 [5.8] | 2435 [95.9] |
| 3475 [918] 12 HOURS | KD800-1000 | 356 [14.0] | 7112 [280.0] | 3588 [7,910 LB] | 145 [5.7] | 3538 [139.3] |
| 6621 [1749] 24 HOURS | KD800-1000 | 584 [23.0] | 7112 [280.0] | 4068 [8,969 LB] | 256 [10.1] | 3538 [139.3] |
| 10573 [2793] 48 HOURS | KD800 | 914 [36.0] | 7112 [280.0] | 4647 [10,246 LB] | 415 [16.3] | 3488 [137.3] |
| 12969 [3426] 48 HOURS | KD900-1000 | 940 [37.0] | 8400 [330.7] | 5851 [12,900 LB] | 419 [16.5] | 4300 [169.3] |
| 15740 [4158] 72 HOURS | KD800 | 1016 [40.0] | 9144 [360.0] | 6058 [13,356 LB] | 451 [17.8] | 4713 [185.6] |
| 19381 [5120] 72 HOURS | KD900-1000 | 1016 [40.0] | 11050 [435.0] | 7030 [15,497 LB] | 451 [17.8] | 5713 [224.9] |

800-1000KW OPEN UNIT
 LIFTING BASE WITH SUB
 BASE TANK OPTION

| REV | DATE | ON COMPOSITE DWGS. SEE PART NO. FOR REVISION LEVEL | BY | DO NOT SCALE. REFERENCE THE MODEL FOR ALL UNSPECIFIED DIMENSIONS |
|-----|-----------|--|-----|---|
| - | 7-28-16 | NEW DRAWING [CT160284] | RMJ | UNLESS OTHERWISE SPECIFIED: ALL DIMENSIONS IN MILLIMETERS GENERAL TOLERANCES: N/A KOHLER. KOHLER, WISCONSIN 53044 THIS DRAWING IN DESIGN AND DETAIL IS KOHLER CO. PROPERTY AND MUST NOT BE USED EXCEPT IN CONNECTION WITH KOHLER CO. WORK. ALL RIGHTS OF DESIGN OR INVENTION ARE RESERVED. TITLE DIMENSION PRINT KD800-1000 TANK & ENCLOSURE SCALE 0.04 CAD NO. SHEET 10 of 10 ADV-8919 |
| A | 3-23-17 | SEE SHEET 5, 7 & 8 [CT172499] | PAS | |
| B | 3-29-17 | SEE SHEET 7, 8 & 9 [CT172948] | KMP | |
| C | 7-24-17 | SEE SHEET 1 & 3 [CT176858] | MVT | |
| D | 13-12-17 | SEE SHEET 5 [CT182350] | RVM | |
| E | 4-22-19 | (A-2) TOLERANCES REMOVED [CT194818] | SUD | |
| F | 12JAN2021 | SEE SHEET 3, 7 & 8 [CT207481] | ARP | |
| G | 02MAY2023 | SEE SHEET 5 [CT227188] | APM | |