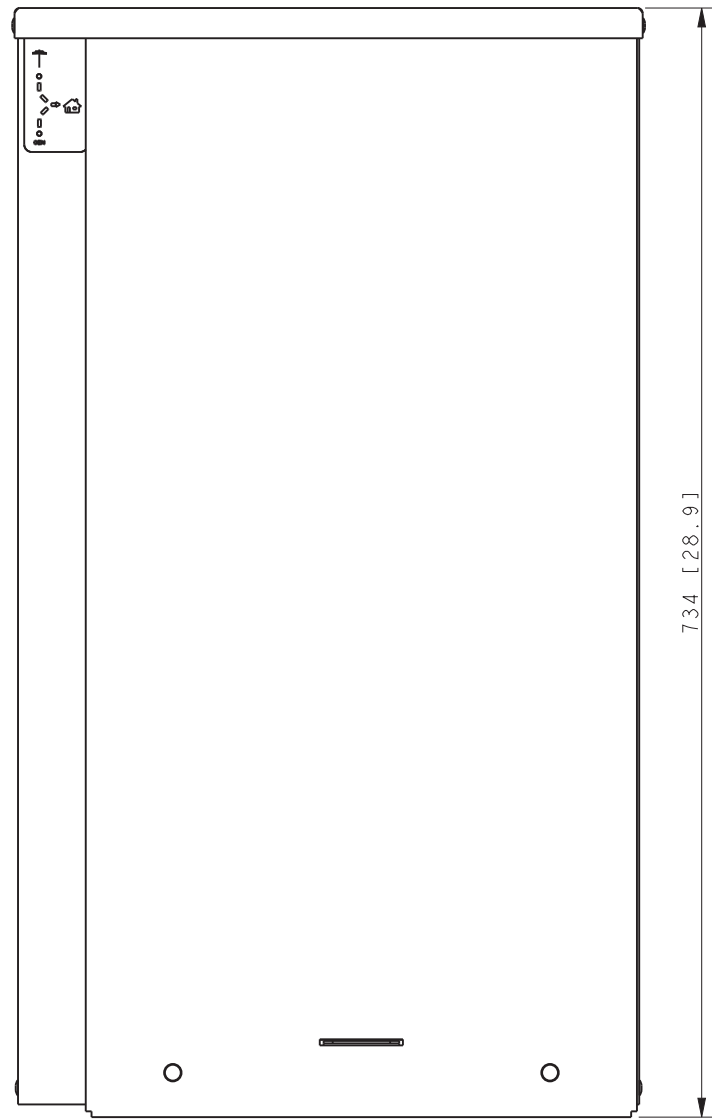
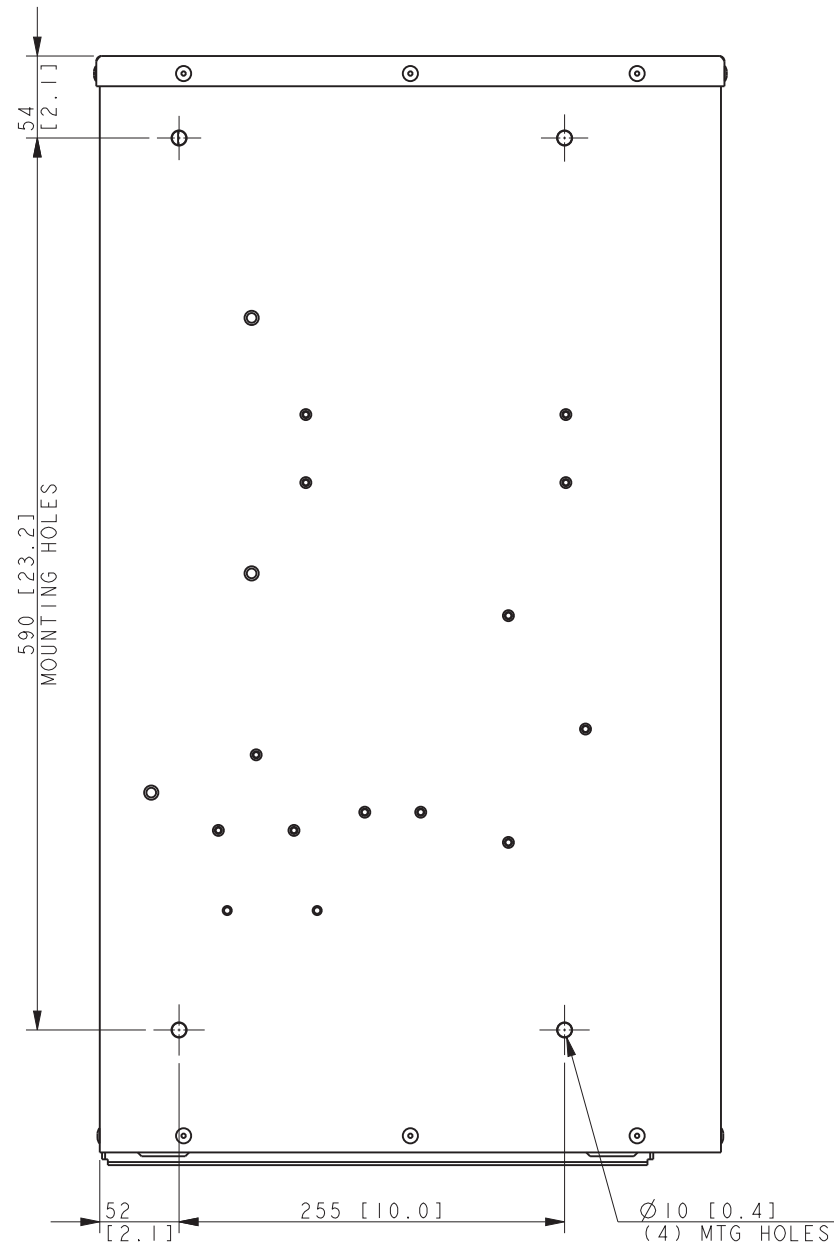


TOP VIEW

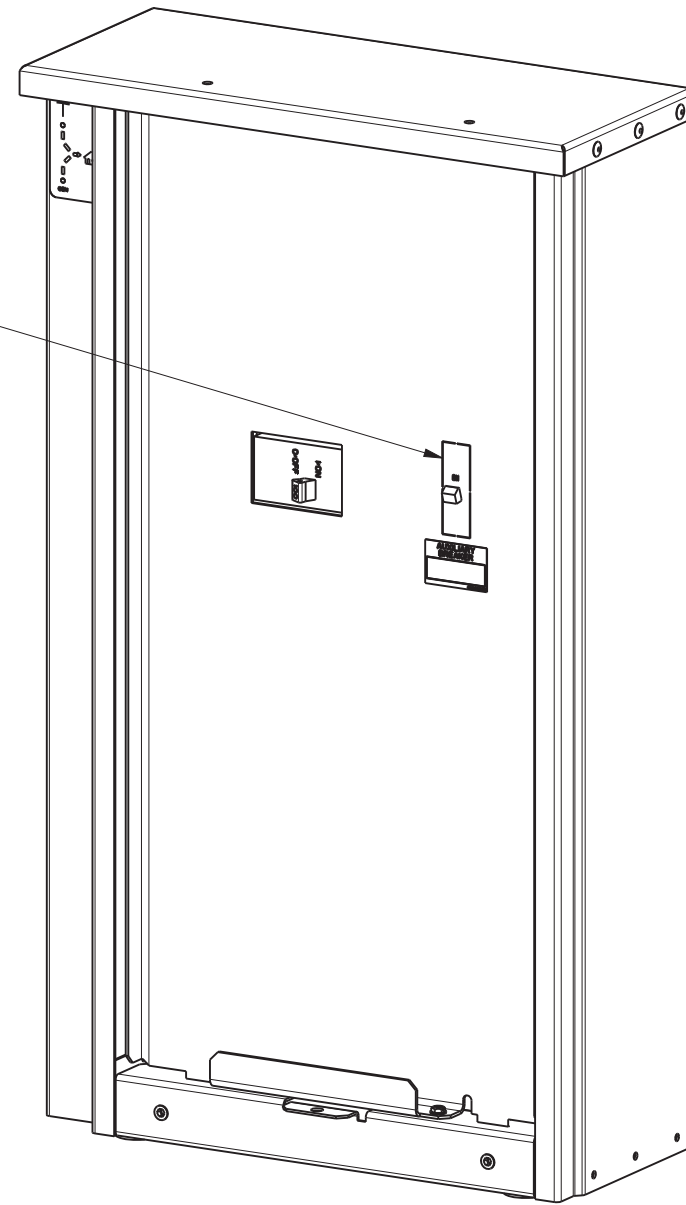


FRONT VIEW

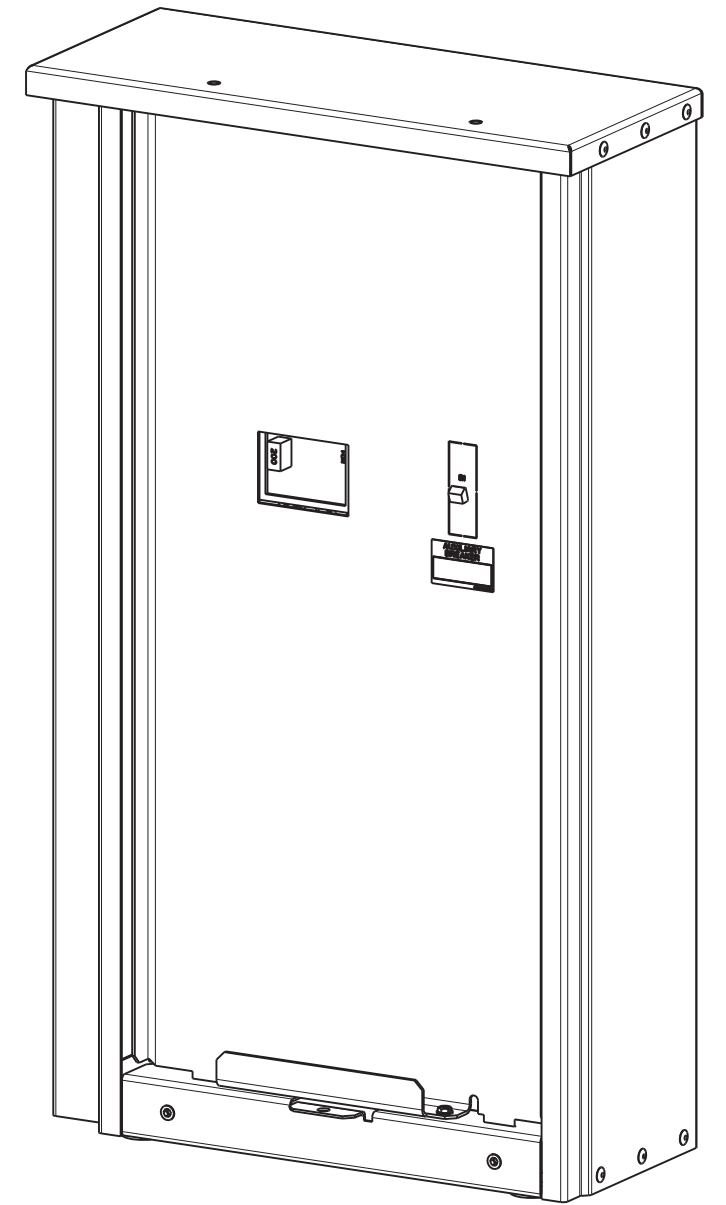


BACK VIEW

KNOCKOUT FOR  
AUXILIARY BREAKER KIT  
(OPTION)  
SAME FOR BOTH 100 & 200 AMP UNITS



100A  
COVER NOT SHOWN



200A  
COVER NOT SHOWN

DIMENSION IN [ ] ARE INCHES.

FINISH: ANSI 69 GRAY

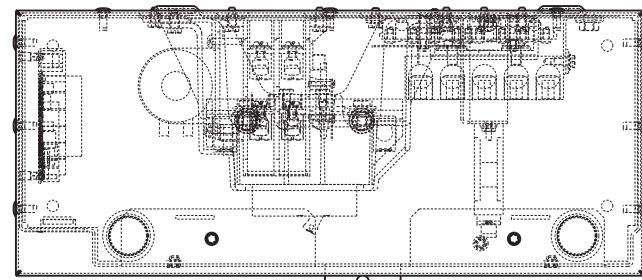
REFER TO OPERATOR'S MANUAL PRIOR TO  
INSTALLATION AND OPERATION OF UNIT.

100 AMP APPROXIMATE WEIGHT 10Kg (22 LBS)

200 AMP APPROXIMATE WEIGHT 12Kg (26 LBS)

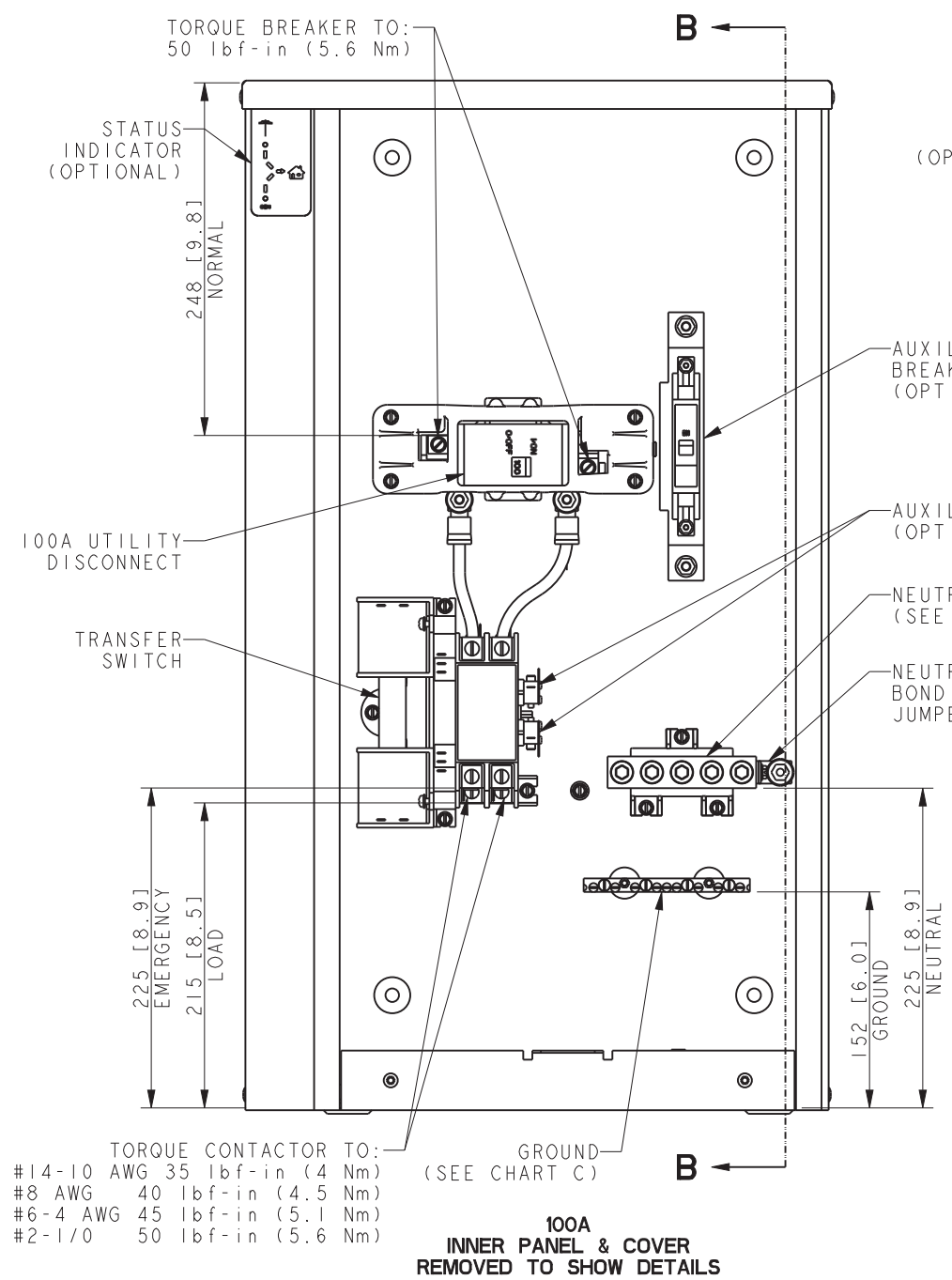
REV	DATE	ON COMPOSITE DWGS. SEE PART NO. FOR REVISION LEVEL	BY	DO NOT SCALE. REFERENCE THE MODEL FOR ALL UNSPECIFIED DIMENSIONS
-	11-15-17	NEW DRAWING [CT179697]	BTW	UNLESS OTHERWISE SPECIFIED: ALL DIMENSIONS IN MILLIMETERS GENERAL TOLERANCES: XX ± 0.25 X ± 1.0 SURFACE FINISH X ± 1.5 MAX. ANGLES ± 0°30'
A	4-10-18	SEE SHEETS 2 & 3 [CT186526]	RMJ	
				<p><b>KOHLER.</b> KOHLER, WISCONSIN 53044</p> <p>THIS DRAWING IN DESIGN AND DETAIL IS KOHLER CO. PROPERTY AND MUST NOT BE USED EXCEPT IN CONNECTION WITH KOHLER CO. WORK. ALL RIGHTS OF DESIGN OR INVENTION ARE RESERVED.</p> <p>TITLE <b>DIMENSION PRINT</b></p> <p>APPROVALS DATE DRAWN BTW 11-15-17 CHECKED BTW 11-15-17 APPROVED MTL 11-15-17</p> <p>SCALE 0.40 CAD NO. SHEET 1 of 3 DWG NO. <b>ADV-9046</b></p>

100-200A  
MODEL RXT  
SERVICE ENTRANCE  
TYPE 3R ENCLOSURES

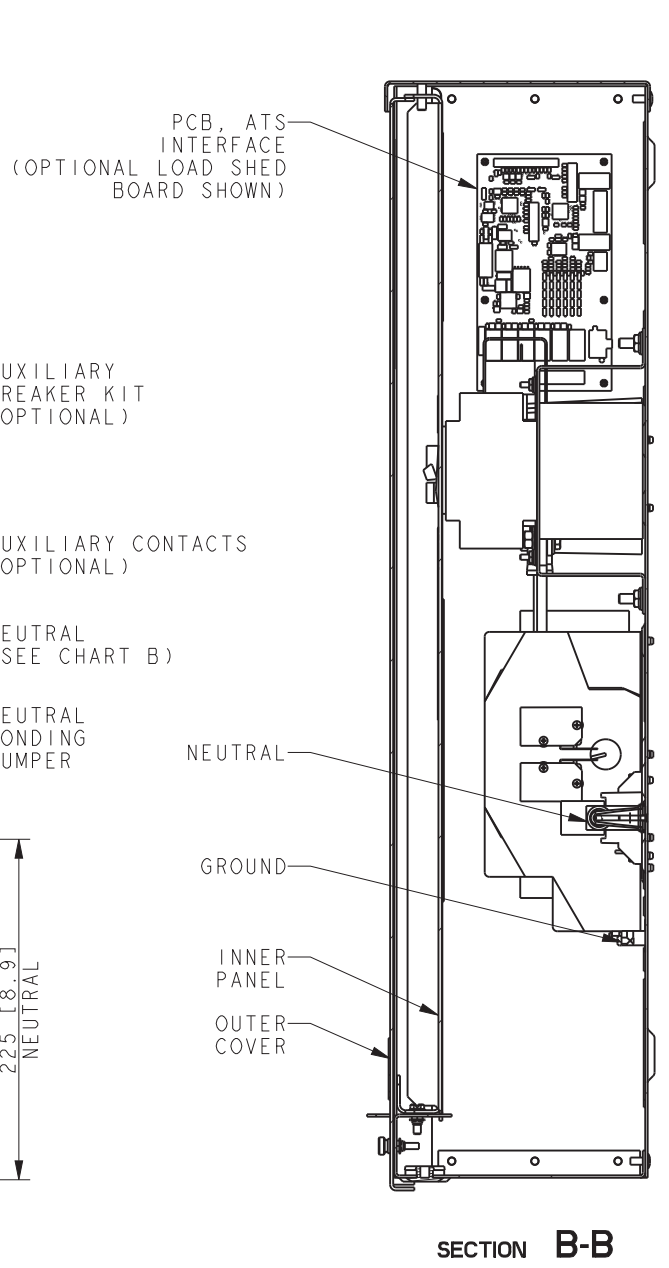


PADLOCK HASP

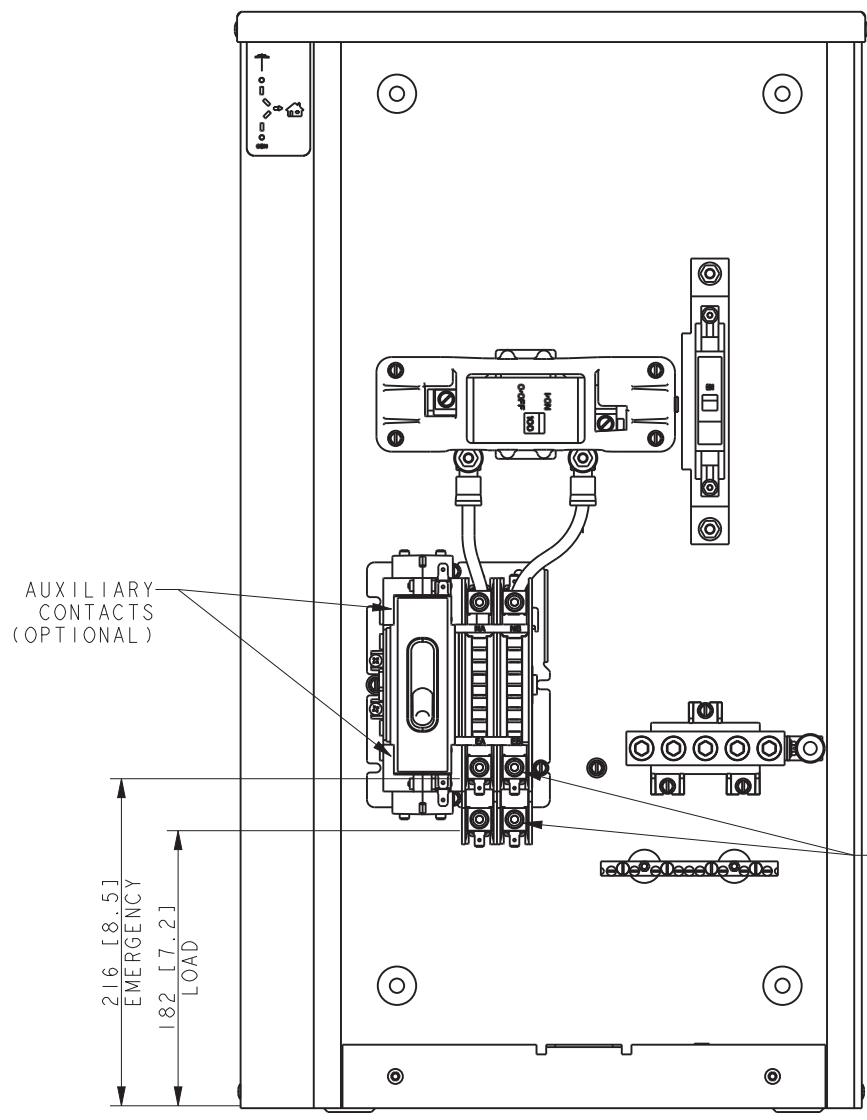
A: SCREW TYPE TERMINALS FOR EXTERNAL POWER CONNECTION				
SWITCH RATING (AMPS)	RANGE OF AL-CU WIRE SIZES			
	NORMAL (PER PHASE)	EMERGENCY / LOAD (PER PHASE)	NEUTRAL	GROUND
100	(1) #12-2/0 AWG	(1) #14-1/0 AWG	(5) #12-250 KCMIL (Cu) OR (5) #10-250 KCMIL (Al)	(9) #14-6 AWG (4) #14-1/0 AWG
150-200	(1) #4-300 KCMIL	(1) #6-250 KCMIL	(5) #12-250 KCMIL (Cu) OR (5) #10-250 KCMIL (Al)	(9) #14-6 AWG (4) #14-1/0 AWG



100A INNER PANEL & COVER REMOVED TO SHOW DETAILS



SECTION B-B



ALTERNATE CONTACTOR VIEW

B: NEUTRAL TORQUE	
#14-10 AWG	60 lbf-in (6.8 Nm)
#8-3 AWG	120 lbf-in (13.6 Nm)
#2-2/0 AWG	240 lbf-in (27.1 Nm)
3/0-250 KCMIL	275 lbf-in (31.1 Nm)

C: GROUND TORQUE		
	LARGE HOLE	SMALL HOLE
#14-10 AWG	35 lbf-in (4 Nm)	#14-10 AWG 15 lbf-in (1.7 Nm)
#8 AWG	40 lbf-in (4.5 Nm)	
#6-4 AWG	45 lbf-in (5.1 Nm)	
#2-1/0	50 lbf-in (5.6 Nm)	#8-6 AWG 25 lbf-in (2.8 Nm)

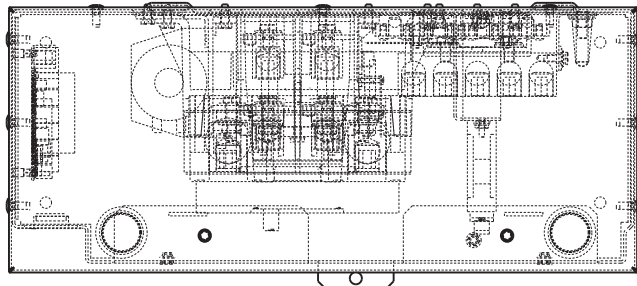
REV	DATE	ON COMPOSITE DWGS, SEE PART NO. FOR REVISION LEVEL	BY	DO NOT SCALE, REFERENCE THE MODEL FOR ALL UNSPECIFIED DIMENSIONS
-	11-15-17	NEW DRAWING [CT179697]	BTW	UNLESS OTHERWISE SPECIFIED: ALL DIMENSIONS IN MILLIMETERS GENERAL TOLERANCES: X.XX ± 0.25 X.X ± 1.0 SURFACE FINISH X ± 1.5 ANGLES ± 0°30' MAX. THIRD ANGLE PROJECTION
A	4-10-18	(B-1, 6, D-4, 8, A-6, 8) TABLES & NOTES UPDATED & ADDED, SEE SHEET 3 [CT186526]	RMJ	
				APPROVALS
				DATE
				SCALE 0.40 CAD NO. SHEET 2 of 3
				APPROVED MTL 11-15-17

**KOHLER**  
 KOHLER, WISCONSIN 53044  
 THIS DRAWING IN DESIGN AND DETAIL IS KOHLER CO. PROPERTY AND MUST NOT BE USED EXCEPT IN CONNECTION WITH KOHLER CO. WORK. ALL RIGHTS OF DESIGN OR INVENTION ARE RESERVED.

TITLE: **DIMENSION PRINT**

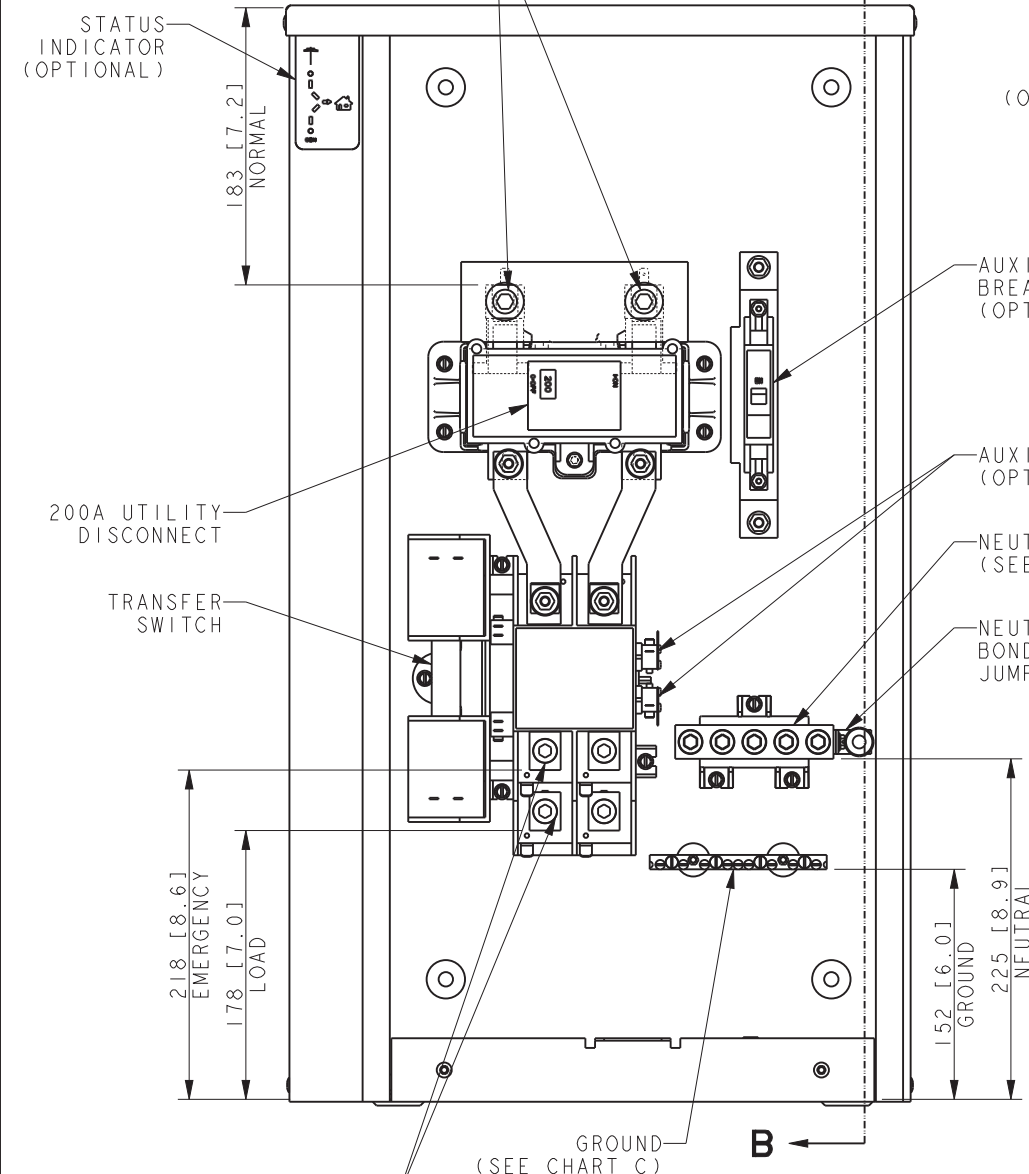
SCALE 0.40 CAD NO. SHEET 2 of 3

ADV-9046



PADLOCK HASP

TORQUE BREAKER TO:  
250 lbf-in (28.2 Nm)



PCB, ATS INTERFACE (OPTIONAL LOAD SHED BOARD SHOWN)

AUXILIARY BREAKER KIT (OPTIONAL)

AUXILIARY CONTACTS (OPTIONAL)

NEUTRAL (SEE CHART B)

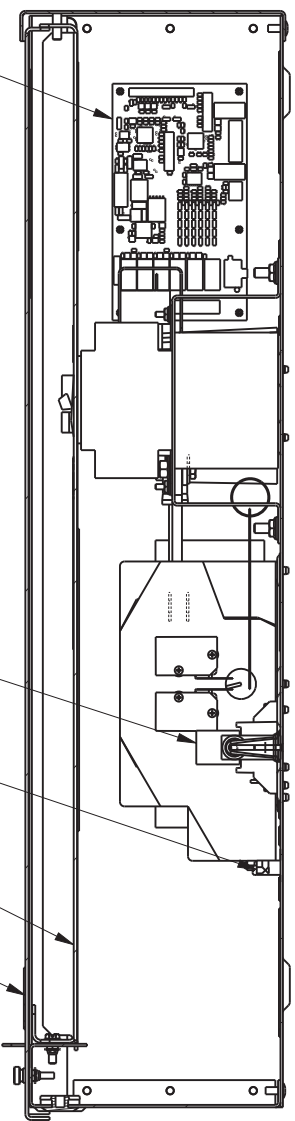
NEUTRAL BONDING JUMPER

NEUTRAL

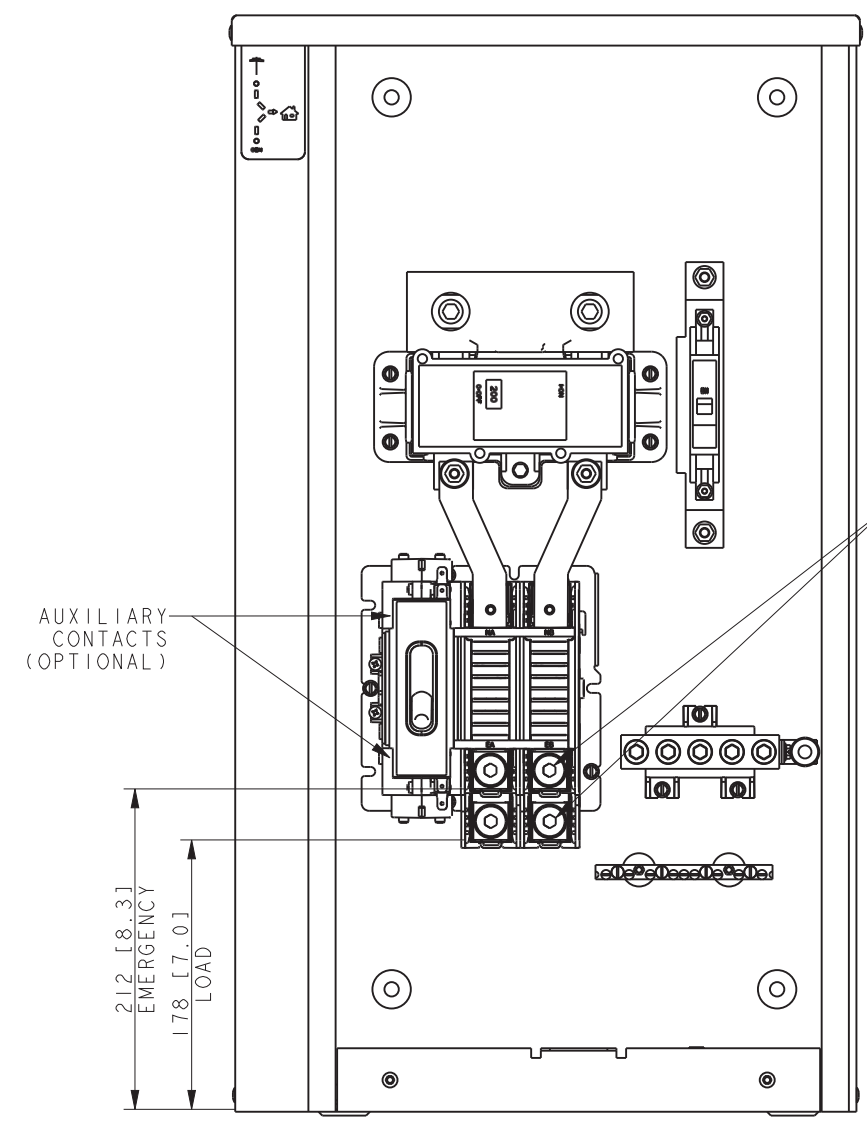
GROUND

INNER PANEL

COVER OUTER



SECTION B-B



TORQUE CONTACTOR TO:  
225 lbf-in (25.4 Nm)

AUXILIARY CONTACTS (OPTIONAL)

ALTERNATE CONTACTOR VIEW

TORQUE CONTACTOR TO:  
275 lbf-in (31.1 Nm)

150-200A  
INNER PANEL & COVER  
REMOVED TO SHOW DETAILS

REV	DATE	ON COMPOSITE DWGS, SEE PART NO. FOR REVISION LEVEL	BY	DO NOT SCALE. REFERENCE THE MODEL FOR ALL UNSPECIFIED DIMENSIONS
-	11-15-17	NEW DRAWING [CT179697]	BTW	UNLESS OTHERWISE SPECIFIED: ALL DIMENSIONS IN MILLIMETERS GENERAL TOLERANCES: X.XX ± 0.25 X.X ± 1.0 SURFACE FINISH X ± 1.5 ANGLES ± 0°30' MAX.
A	4-10-18	(A-7,8, B-1,6, D-8) UPDATED & ADDED NOTES, SEE SHEET 2, [ST186526]	RMJ	
APPROVALS		DATE		<b>KOHLER.</b> KOHLER, WISCONSIN 53044 THIS DRAWING IN DESIGN AND DETAIL IS KOHLER CO. PROPERTY AND MUST NOT BE USED EXCEPT IN CONNECTION WITH KOHLER CO. WORK. ALL RIGHTS OF DESIGN OR INVENTION ARE RESERVED. TITLE <b>DIMENSION PRINT</b> SCALE 0.40 CAD NO. SHEET 3 of 3 <b>ADV-9046</b>
DRAWN		BTW 11-15-17		
CHECKED		BTW 11-15-17		
APPROVED		MTL 11-15-17		