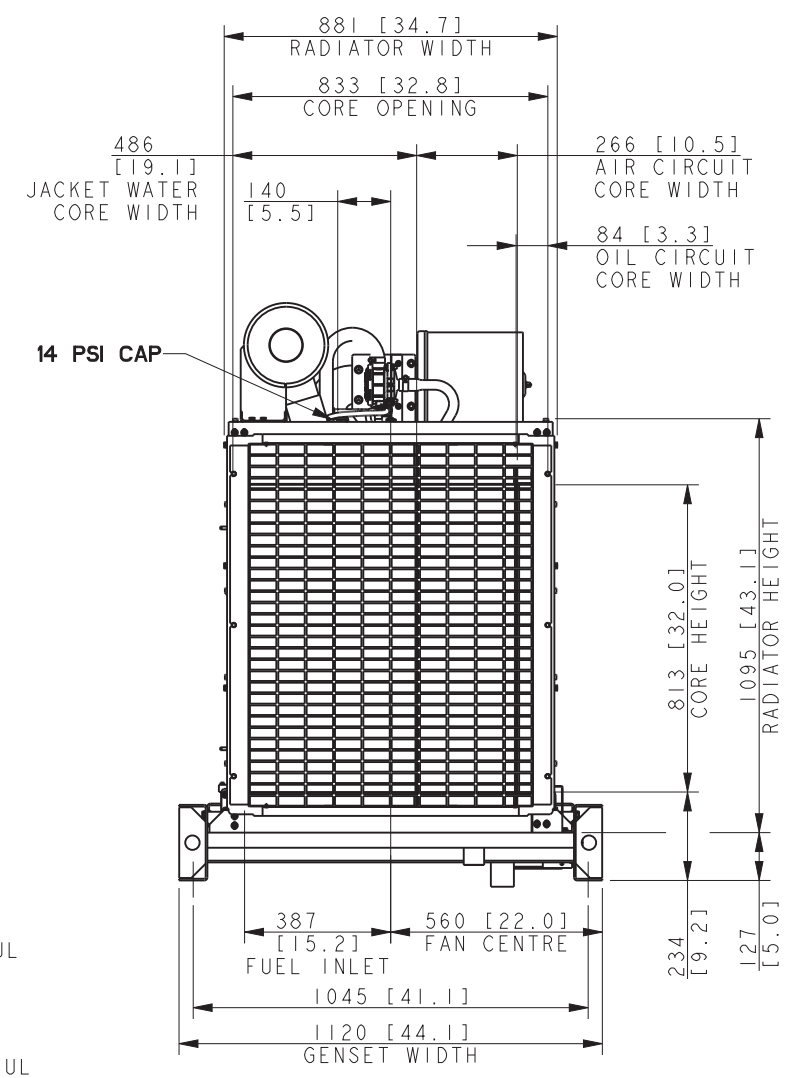
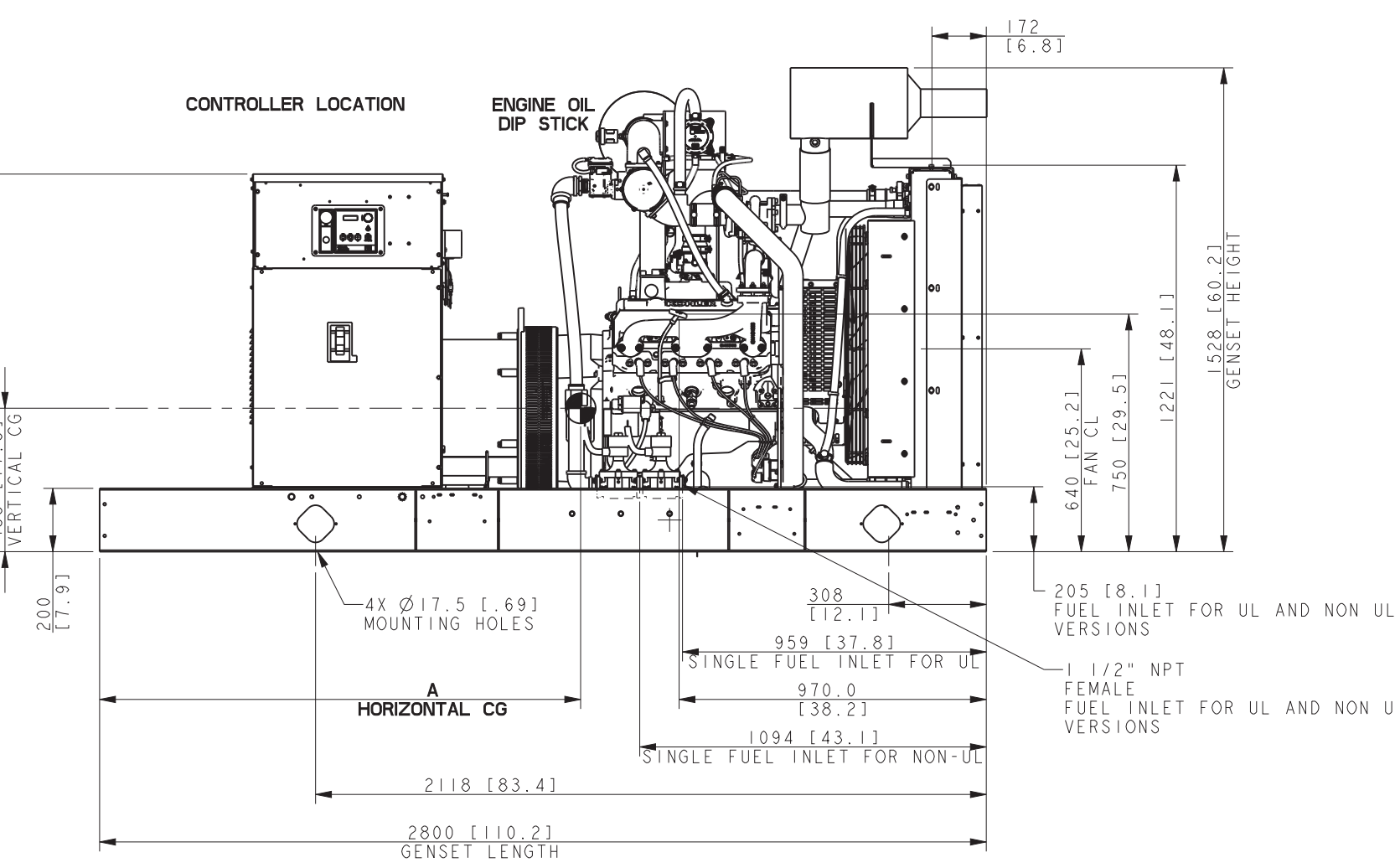


	HORIZONTAL CG A (MM)
KG100	1556 [61.3]
KG125	1519 [59.8]

MODEL	ALTERNATOR	WEIGHT (WET)	
		KG	LBS
KG100	4R9X, 4R9X 600V	1072	2364
KG100/KG125	4R12X, 4R12X 600V	1140	2514
KG100/KG125	4T13X	1207	2660
KG125	4R13X, 4R13X 600V	1207	2660



- NOTES:
1. DIMENSIONS IN [] ARE ENGLISH STANDARD EQUIVALENTS
 2. IF ENCLOSURE IS USED REFER TO ENCLOSURE ADV
 3. IF IBC CERTIFICATION IS REQUIRED SEE SEISMIC ADV FOR INSTALLATION INSTRUCTIONS.

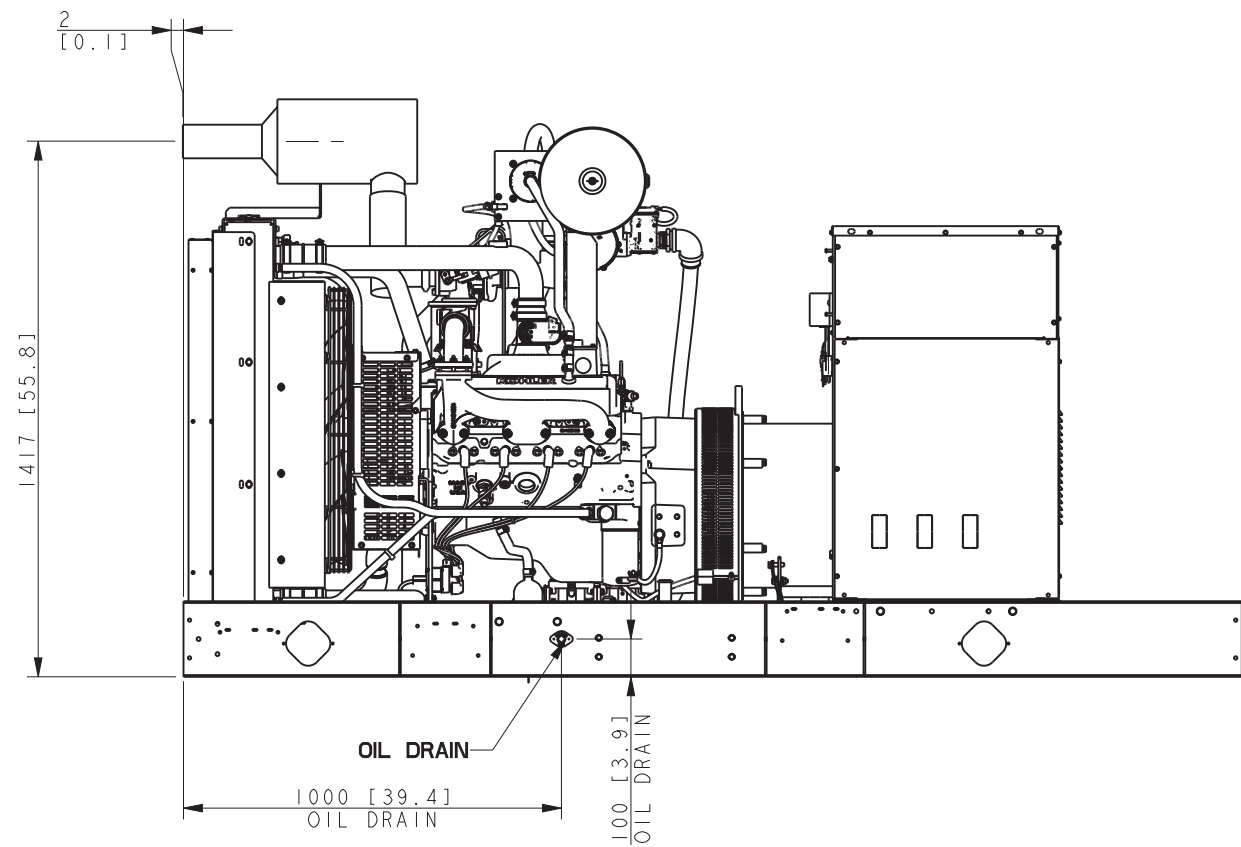
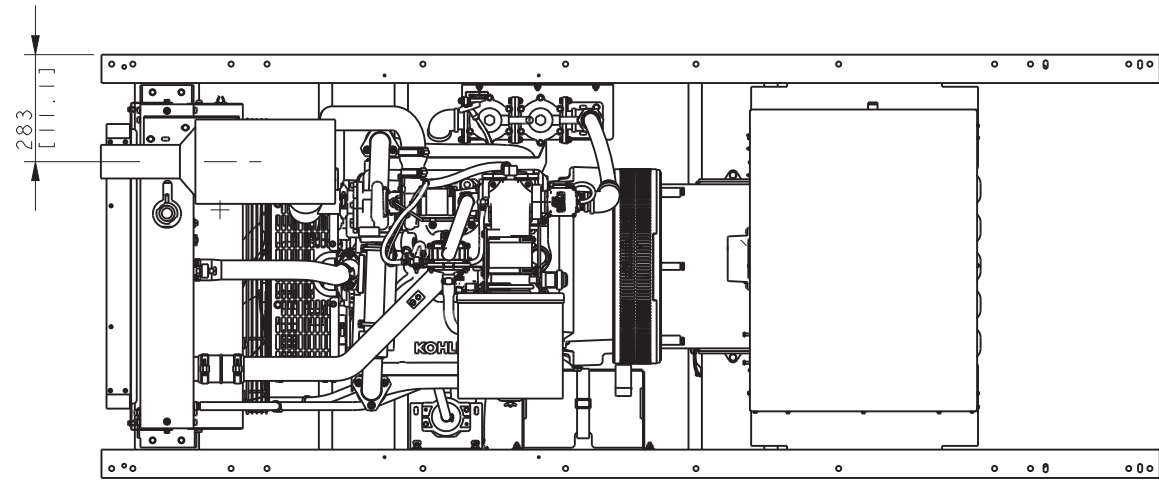
REV	DATE	ON COMPOSITE DWGS. SEE PART NO. FOR REVISION LEVEL	BY	DO NOT SCALE. REFERENCE THE MODEL FOR ALL UNSPECIFIED DIMENSIONS								
-	10-23-18	NEW DRAWING [CT191152]	ADP	<small>UNLESS OTHERWISE SPECIFIED: ALL DIMENSIONS IN MILLIMETERS GENERAL TOLERANCES: X.XX ± 0.2 X.X ± 0.5 X ± 1.5 ANGLES ± 0°30' MAX. THIRD ANGLE PROJECTION</small>								
A	1-17-19	(A-7) MOUNTING POINT DIMENSION REMOVED [CT193090]	AWK									
B	15MAY2019	(C/D-6/7) MODIFIED FUEL INLET LOCATIONS; (A-7) 4X Ø17.5 [1.69] MOUNTING HOLES WAS 6X; (A-5) ADDED 'FEMALE' TO FUEL INLET NOTE [CT195808]	AWK									
C	03JUN2021	(A-5,6) NOTES UPDATED; (C-5,6) NOTES UPDATED [CT212613]	YPW									
D	27JUL2022	SEE SHEET 3 [CT221225]	RVM	<table border="1"> <tr> <th>APPROVALS</th> <th>DATE</th> </tr> <tr> <td>ADP</td> <td>10-23-18</td> </tr> <tr> <td>DJV</td> <td>10-23-18</td> </tr> <tr> <td>PBT</td> <td>10-23-18</td> </tr> </table>	APPROVALS	DATE	ADP	10-23-18	DJV	10-23-18	PBT	10-23-18
APPROVALS	DATE											
ADP	10-23-18											
DJV	10-23-18											
PBT	10-23-18											

NOTE: OIL DRAIN IS AT LEFT SIDE OF GENSET

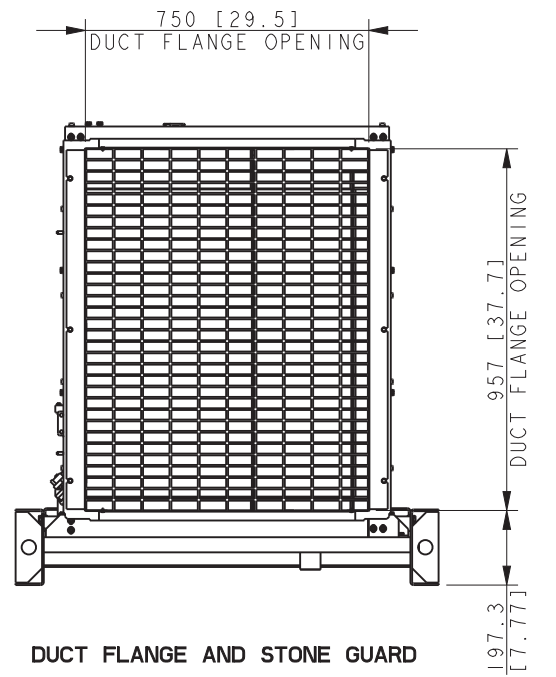
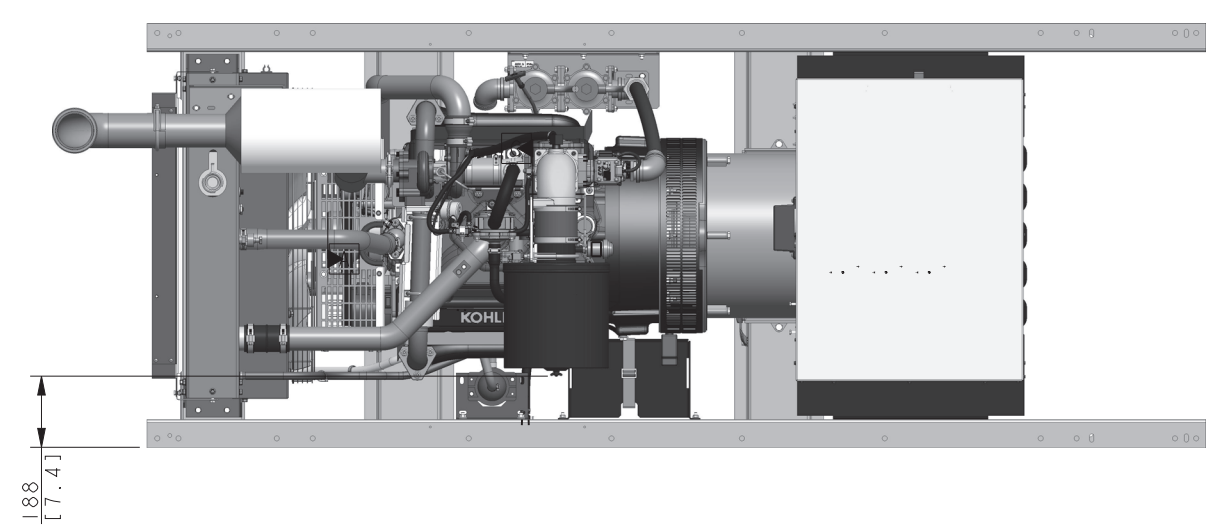
KOHLER
 KOHLER, WISCONSIN 53044
 THIS DRAWING IN DESIGN AND DETAIL IS KOHLER CO. PROPERTY AND MUST NOT BE USED EXCEPT IN CONNECTION WITH KOHLER CO. WORK. ALL RIGHTS OF DESIGN OR INVENTION ARE RESERVED.

TITLE
 DIMENSION PRINT, KG100/125 6.2L TURBO

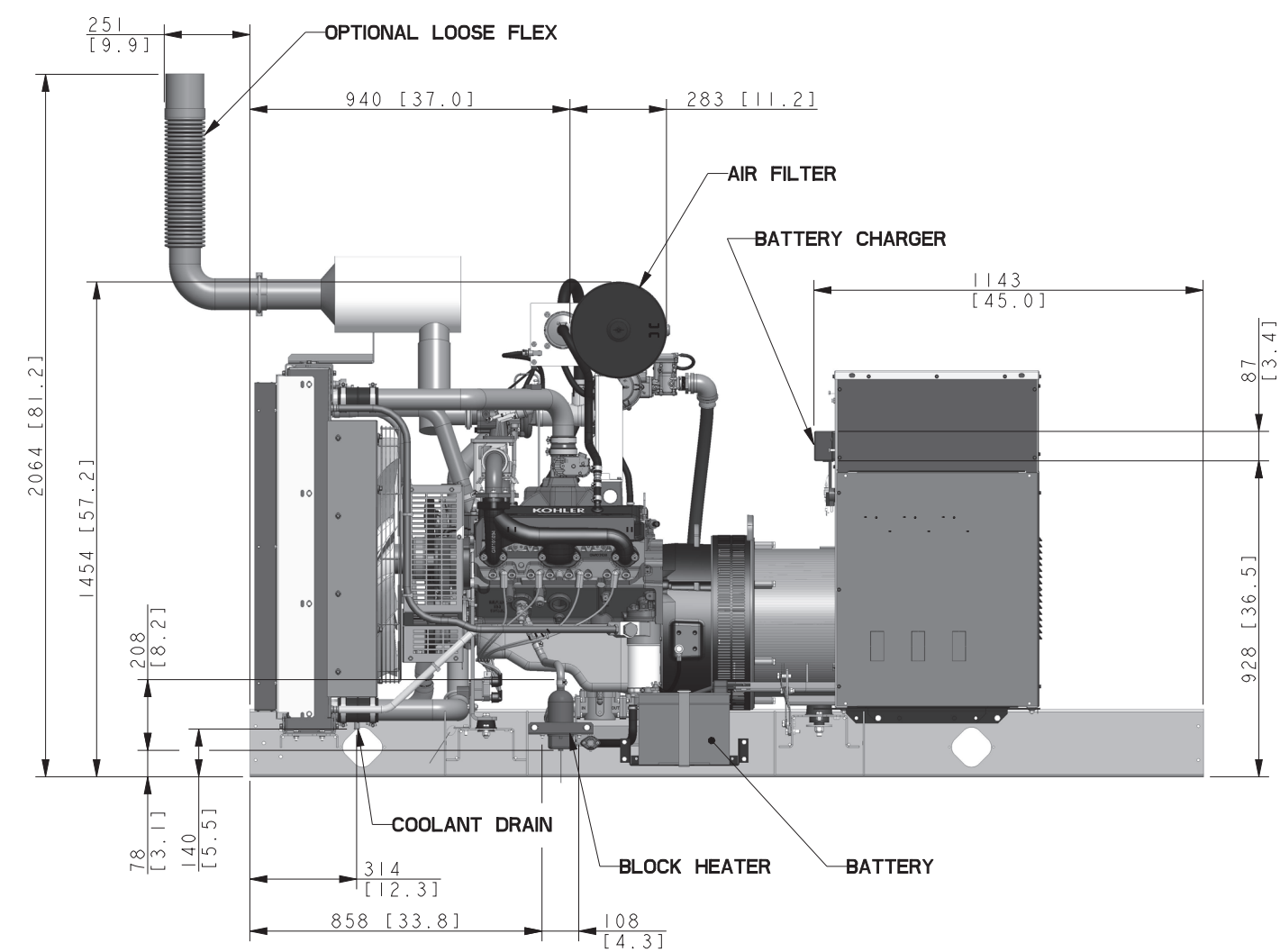
SCALE 0.10 CAD NO. SHEET 1 of 3
 DWG NO. **ADV-9080**



REV	DATE	ON COMPOSITE DWGS. SEE PART NO. FOR REVISION LEVEL	BY	DO NOT SCALE. REFERENCE THE MODEL FOR ALL UNSPECIFIED DIMENSIONS
-	10-23-18	NEW DRAWING [CT191152]	ADP	UNLESS OTHERWISE SPECIFIED: ALL DIMENSIONS IN MILLIMETERS GENERAL TOLERANCES: X.XX ± 0.2 X.X ± 0.5 X ± 1.5 ANGLES ± 0°30' MAX. SURFACE FINISH THIRD ANGLE PROJECTION
A	2-7-19	SEE SHEET 1 [CT193090]	AWK	
B	15MAY2019	SEE SHEET 1 & 3 [CT195808]	AWK	
C	03JUN2021	SEE SHEET 1 [CT212613]	YPW	
D	27JUL2022	SEE SHEET 3 [CT221225]	RVM	
APPROVALS				DATE
DRAWN			ADP	10-23-18
CHECKED			DJV	10-23-18
APPROVED			PBT	10-23-18
KOHLER. KOHLER, WISCONSIN 53044 THIS DRAWING IN DESIGN AND DETAIL IS KOHLER CO. PROPERTY AND MUST NOT BE USED EXCEPT IN CONNECTION WITH KOHLER CO. WORK. ALL RIGHTS OF DESIGN OR INVENTION ARE RESERVED.				SCALE 0.10 CAD NO. SHEET 2 of 3 DWG NO. ADV-9080
TITLE DIMENSION PRINT, KG100/125 6.2L TURBO				D

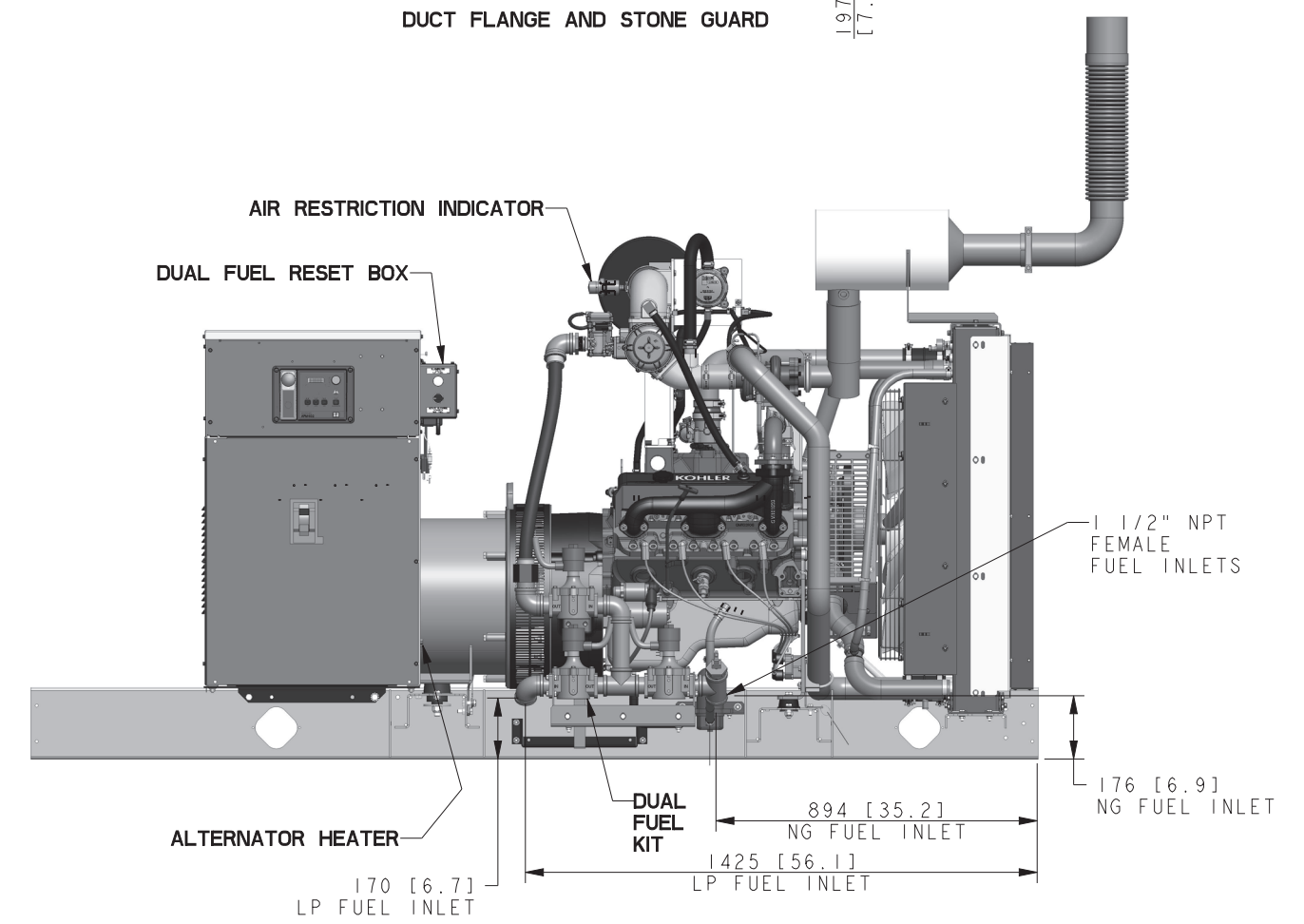


DUCT FLANGE AND STONE GUARD



BLOCK HEATER, AIR FILTER & BATTERY CHARGER (LEFT SIDE OF GENSET)

NOTE: LEFT SIDE SKID MEMBER HIDDEN TO SHOW BLOCK HEATER



DUAL FUEL, RESET BOX & AIR RESTRICTION INDICATOR (RIGHT SIDE OF GENSET)

NOTE: RIGHT SIDE SKID MEMBER HIDDEN TO SHOW DUAL FUEL KIT

REV	DATE	ON COMPOSITE DWGS, SEE PART NO. FOR REVISION LEVEL	BY	DO NOT SCALE. REFERENCE THE MODEL FOR ALL UNSPECIFIED DIMENSIONS								
-	10-23-18	NEW DRAWING [CT191152]	ADP	<small>UNLESS OTHERWISE SPECIFIED: ALL DIMENSIONS IN MILLIMETERS GENERAL TOLERANCES: X.XX ± 0.2 SURFACE FINISH X.X ± 0.5 ANGLES ± 0°30' MAX.</small>								
A	2-7-19	SEE SHEET 1 [CT193090]	AWK									
B	15MAY2019	FLEX EXHAUST KIT ADDED TO SHADED VIEWS [CT195808]	AWK									
C	03JUN2021	SEE SHEET 1 [CT212613]	YPW									
D	27JUL2022	(A-2) 894 [35.2] WAS 845 [33.3]; (A-1) 176 [6.9] WAS 205 [8.1] [CT221225]	RVM	<small>THIRD ANGLE PROJECTION</small> 								
				<table border="1"> <thead> <tr> <th>APPROVALS</th> <th>DATE</th> </tr> </thead> <tbody> <tr> <td>ADP</td> <td>10-23-18</td> </tr> <tr> <td>DJV</td> <td>10-23-18</td> </tr> <tr> <td>PBT</td> <td>10-23-18</td> </tr> </tbody> </table>	APPROVALS	DATE	ADP	10-23-18	DJV	10-23-18	PBT	10-23-18
APPROVALS	DATE											
ADP	10-23-18											
DJV	10-23-18											
PBT	10-23-18											
				<table border="1"> <tr> <td>SCALE 0.10</td> <td>CAD NO.</td> <td>SHEET 3 of 3</td> </tr> <tr> <td colspan="2">ADV-9080</td> <td>D</td> </tr> </table>	SCALE 0.10	CAD NO.	SHEET 3 of 3	ADV-9080		D		
SCALE 0.10	CAD NO.	SHEET 3 of 3										
ADV-9080		D										

KOHLER
 KOHLER, WISCONSIN 53044
 THIS DRAWING IN DESIGN AND DETAIL IS KOHLER CO. PROPERTY AND MUST NOT BE USED EXCEPT IN CONNECTION WITH KOHLER CO. WORK. ALL RIGHTS OF DESIGN OR INVENTION ARE RESERVED.

DIMENSION PRINT, KG100/125 6.2L TURBO