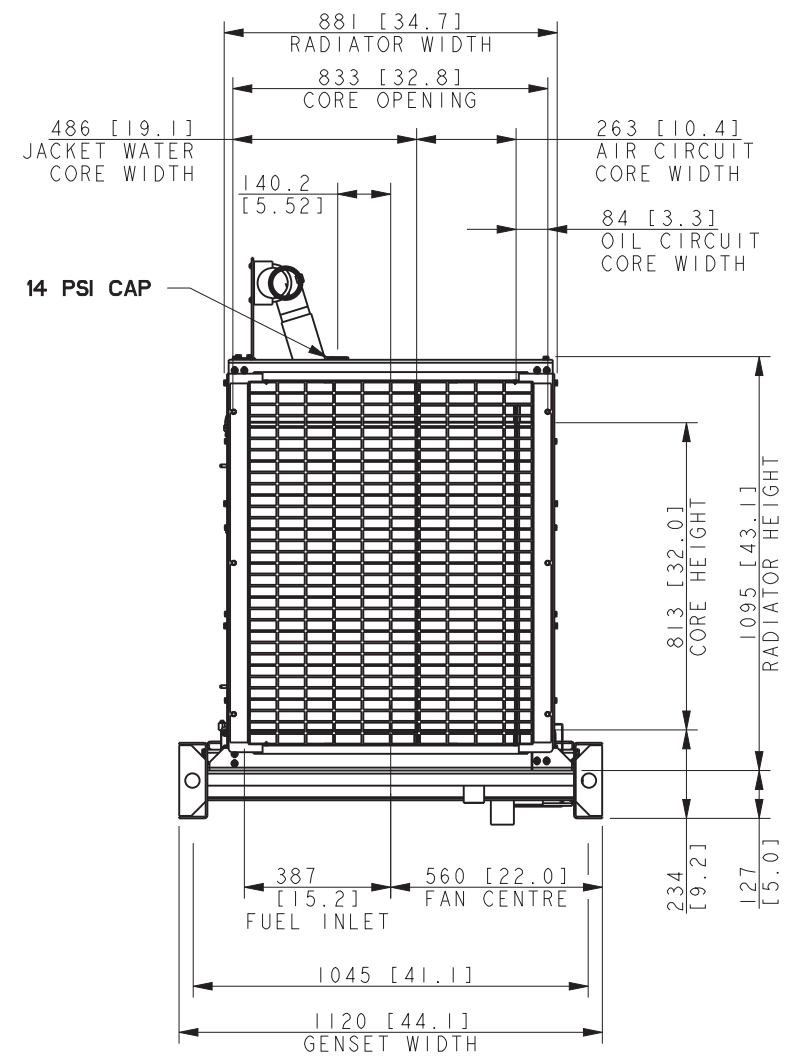
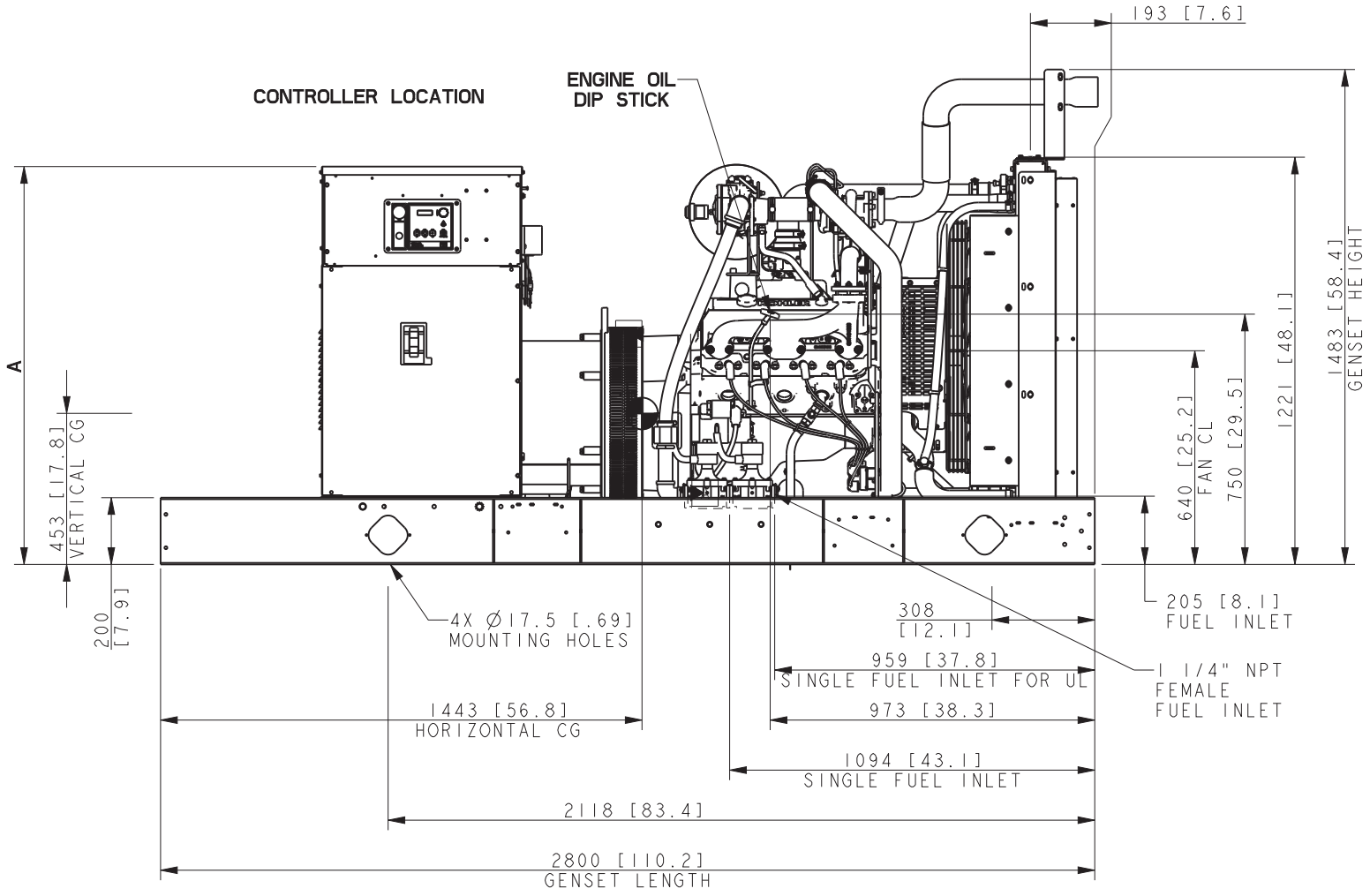


MODEL	ALTERNATOR	WEIGHT (WET)		A
		KG	LBS	
KG80	4P10X, 4P10X 600V	1002	2210	1120 [44.1]
	4R9X, 4R9X 600V	1025	2260	1192 [46.9]
	4T9X	1025	2260	1192 [46.9]



- NOTES:
- DIMENSIONS IN [ ] ARE ENGLISH STANDARD EQUIVALENTS
  - IF ENCLOSURE IS USED REFER TO ENCLOSURE ADV
  - IF IBC CERTIFICATION IS REQUIRED SEE SEISMIC ADV FOR INSTALLATION INSTRUCTIONS.

NOTE: OIL DRAIN IS AT LEFT SIDE OF GENSET

REV	DATE	ON COMPOSITE DWGS, SEE PART NO. FOR REVISION LEVEL	BY	DO NOT SCALE, REFERENCE THE MODEL FOR ALL UNSPECIFIED DIMENSIONS
-	10-23-18	NEW DRAWING [CT191152]	ADP	UNLESS OTHERWISE SPECIFIED: ALL DIMENSIONS IN MILLIMETERS GENERAL TOLERANCES: N/A
A	1-17-19	(A-7) MOUNTING POINT DIMENSION REMOVED [CT193090]	AWK	
B	15MAY2019	(C/D-6/7) MODIFIED FUEL INLET LOCATIONS; (A-7) 4X Ø17.5 [1.69] MOUNTING HOLES WAS 6X; (A-5) ADDED 'FEMALE' TO FUEL INLET NOTE [CT195808]	AWK	
C	20MAR2020	SEE SHEET 2 OF 3 [CT202233]	BGW	
D	20JAN2021	SEE SHEET 2 [CT207481]	ARP	
E	27JUL2022	SEE SHEET 3 [CT221225]	RVM	

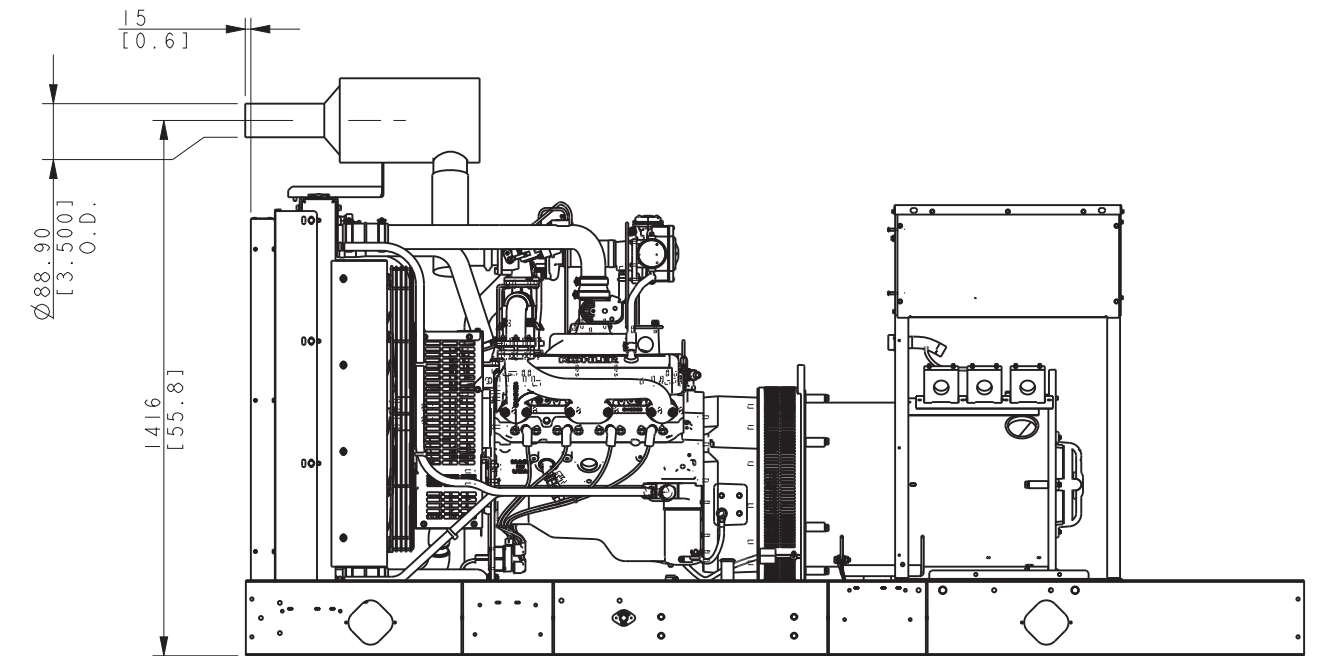
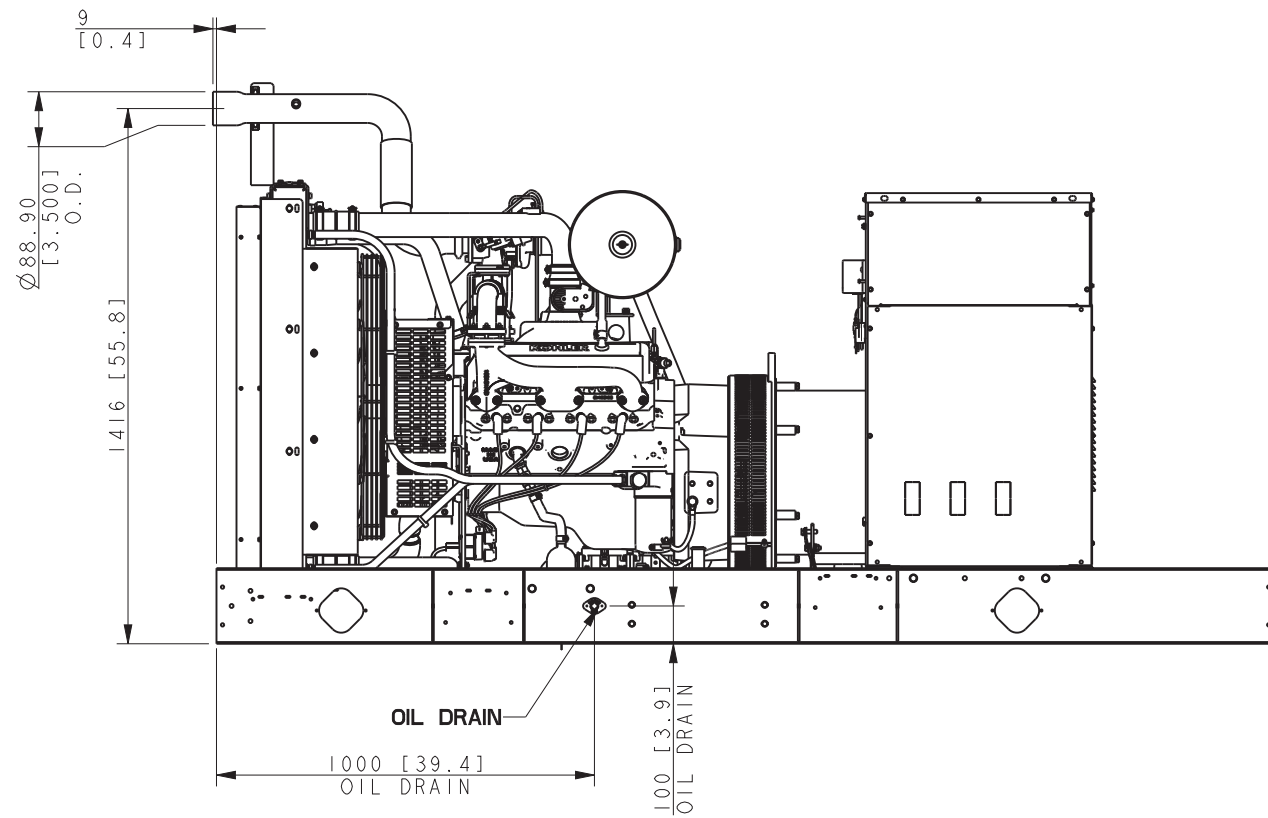
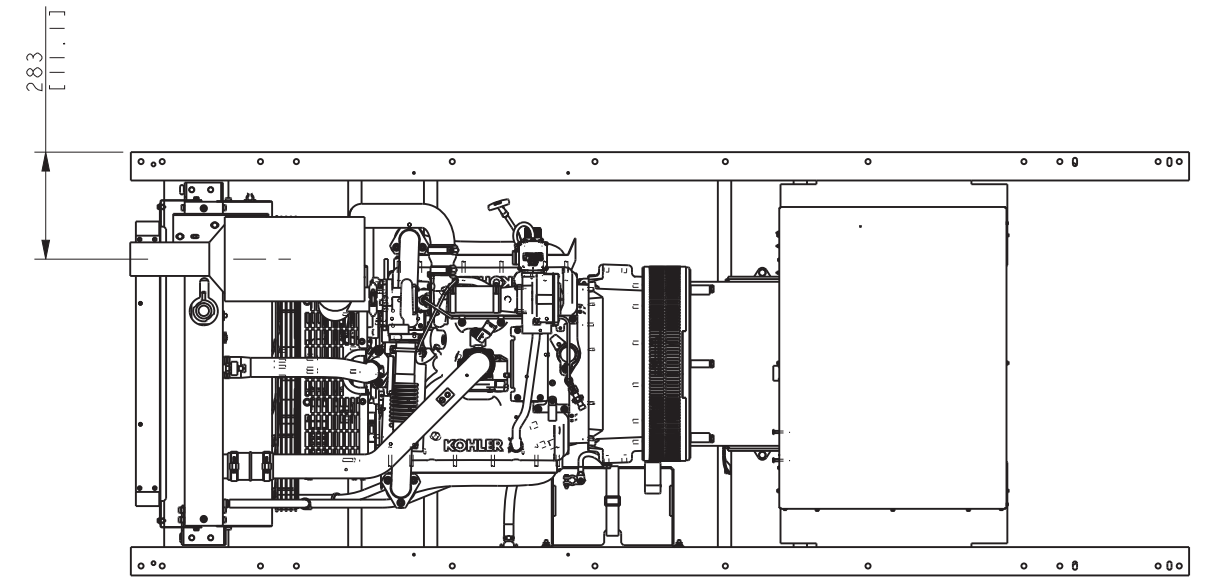
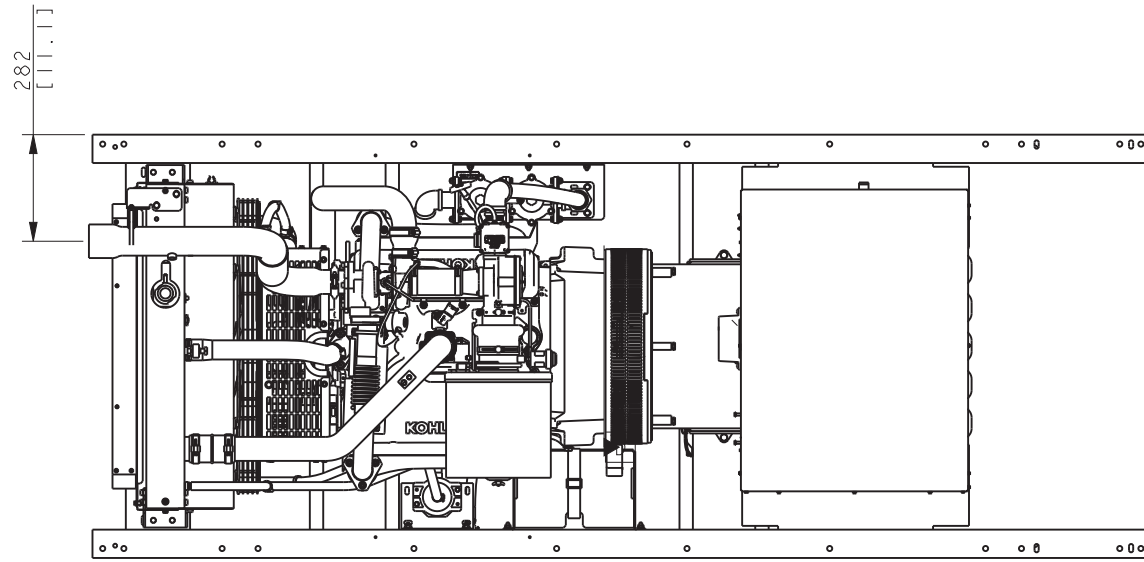
APPROVALS	DATE
DRAWN ADP	10-23-18
CHECKED DJV	10-23-18
APPROVED PBT	10-23-18

SCALE 0.10	CAD NO.	SHEET 1 of 3
ADV-9082		D

**KOHLER**  
 KOHLER, WISCONSIN 53044  
 THIS DRAWING IN DESIGN AND DETAIL IS KOHLER CO. PROPERTY AND MUST NOT BE USED EXCEPT IN CONNECTION WITH KOHLER CO. WORK. ALL RIGHTS OF DESIGN OR INVENTION ARE RESERVED.

TITLE  
**DIMENSION PRINT, KG80 6.2L TURBO**



KG80 OPEN UNIT EXHAUST (NON-CATALYZED)

KG80 OPEN UNIT EXHAUST (WITH CATALYST)

REV	DATE	ON COMPOSITE DWGS. SEE PART NO. FOR REVISION LEVEL	BY	DO NOT SCALE. REFERENCE THE MODEL FOR ALL UNSPECIFIED DIMENSIONS
-	10-23-18	NEW DRAWING [CT191152]	ADP	UNLESS OTHERWISE SPECIFIED: ALL DIMENSIONS IN MILLIMETERS GENERAL TOLERANCES: N/A
A	2-7-19	SEE SHEET 1 [CT193090]	AWK	
B	15MAY2019	SEE SHEET 1 [CT195808]	AWK	
C	20MAR2020	(B-3) CATALYST VIEWS ADDED [CT202233]	BGW	
D	20JAN2021	(A-6, A-3) "NON CATALYZED" & "WITH CATALYST" NOTES ADDED FOR KG80 OPEN UNIT EXHAUST [CT207481]	ARP	
E	27JUL2022	SEE SHEET 3 [CT221225]	RVM	THIRD ANGLE PROJECTION

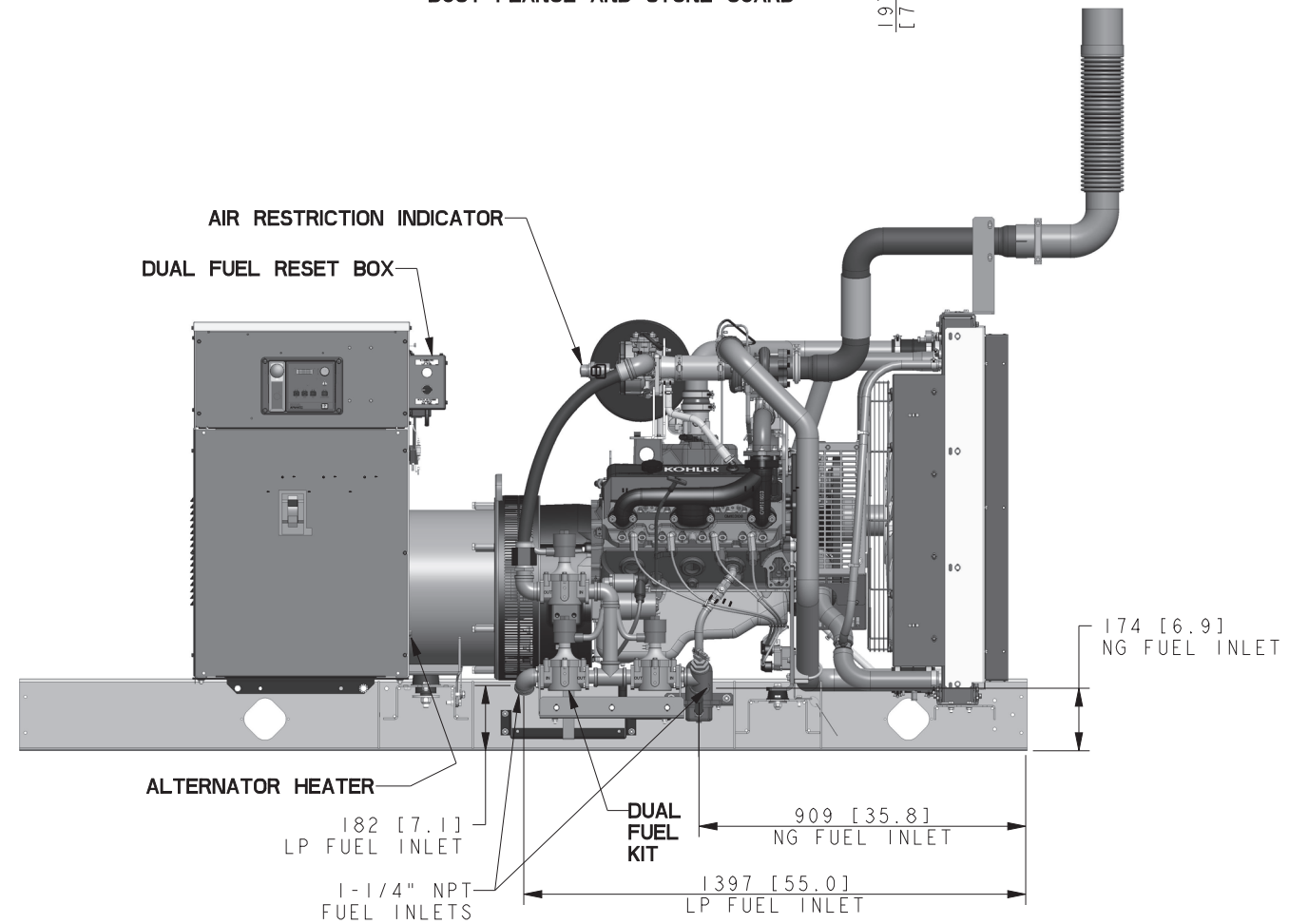
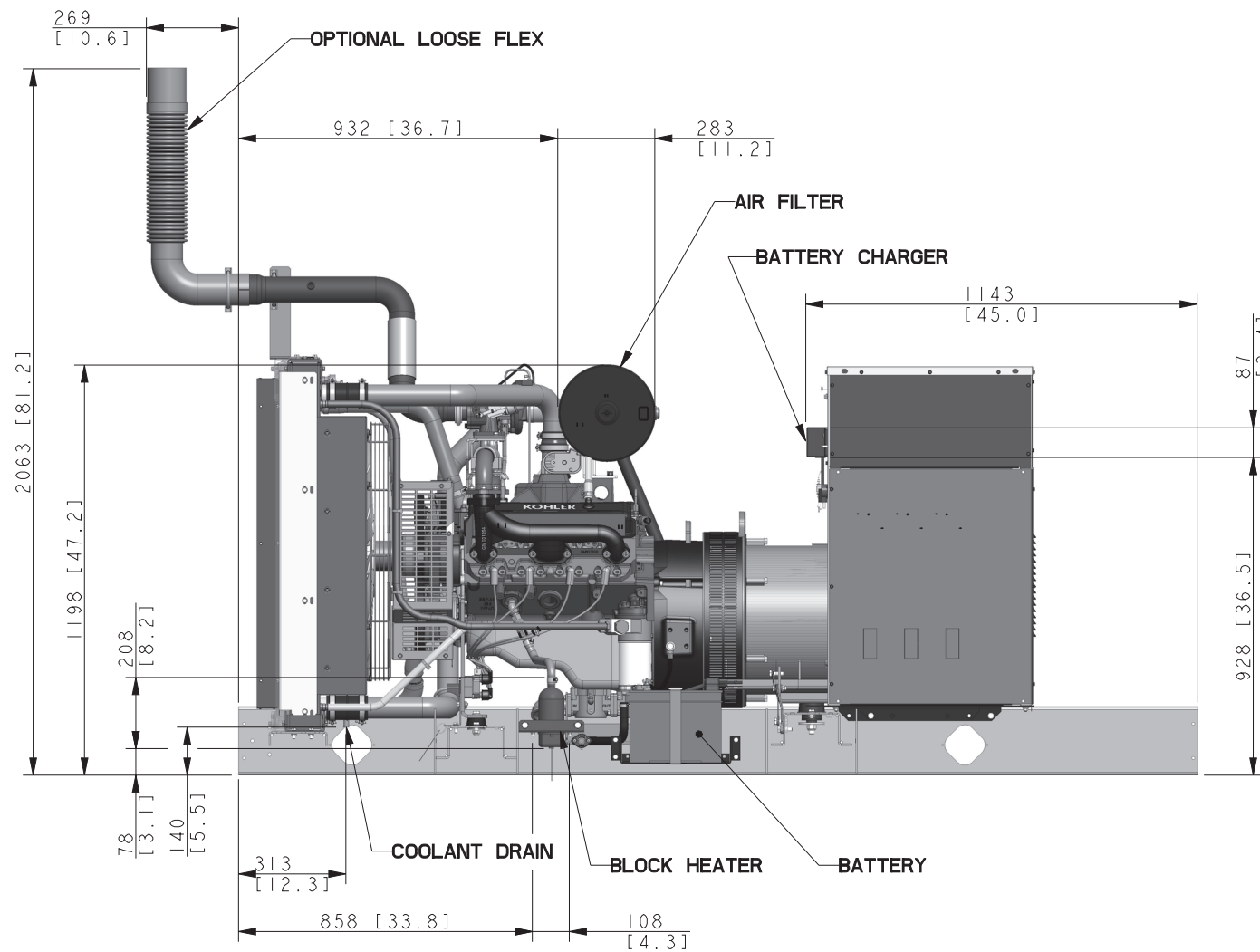
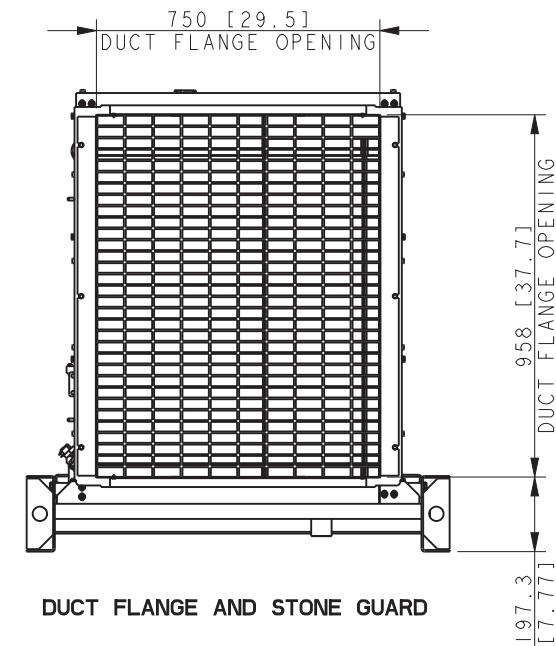
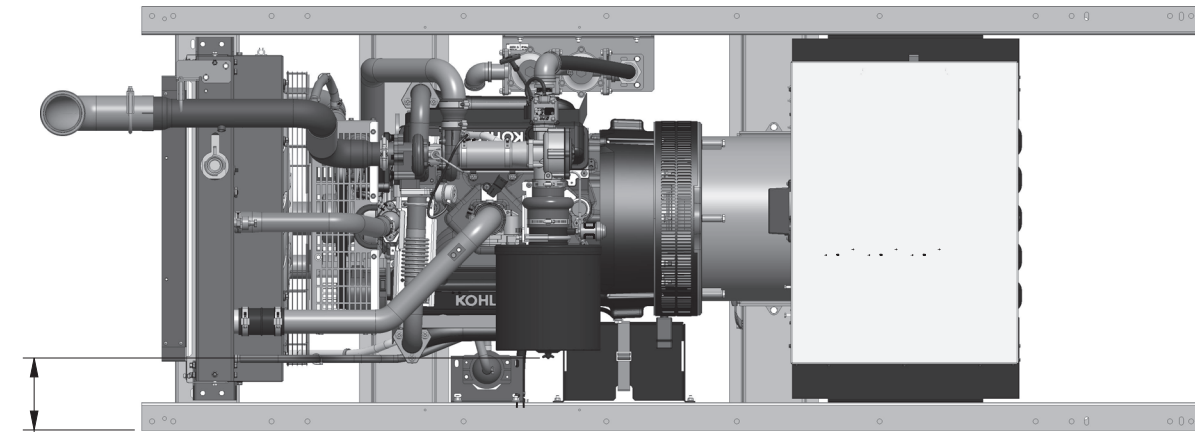
  

APPROVALS		DATE
DRAWN	ADP	10-23-18
CHECKED	DJV	10-23-18
APPROVED	PBT	10-23-18

SCALE 0.10	CAD NO.	SHEET 2 of 3
ADV-9082		D

**KOHLER**  
 KOHLER, WISCONSIN 53044  
 THIS DRAWING IN DESIGN AND DETAIL IS KOHLER CO. PROPERTY AND MUST NOT BE USED EXCEPT IN CONNECTION WITH KOHLER CO. WORK. ALL RIGHTS OF DESIGN OR INVENTION ARE RESERVED.  
**TITLE**  
 DIMENSION PRINT, KG80 6.2L TURBO



**BLOCK HEATER, AIR FILTER & BATTERY CHARGER  
(LEFT SIDE OF GENSET)**

**DUAL FUEL, RESET BOX & AIR RESTRICTION INDICATOR  
(RIGHT SIDE OF GENSET)**

NOTE:  
LEFT SIDE SKID MEMBER HIDDEN TO SHOW BLOCK HEATER

NOTE:  
RIGHT SIDE SKID MEMBER HIDDEN TO SHOW DUAL FUEL KIT

REV	DATE	ON COMPOSITE DWGS, SEE PART NO. FOR REVISION LEVEL	BY	DO NOT SCALE, REFERENCE THE MODEL FOR ALL UNSPECIFIED DIMENSIONS
-	10-23-18	NEW DRAWING [CT191152]	ADP	UNLESS OTHERWISE SPECIFIED: ALL DIMENSIONS IN MILLIMETERS GENERAL TOLERANCES: N/A
A	2-7-19	SEE SHEET 1 [CT193090]	AWK	
B	15MAY2019	FLEX EXHAUST KIT ADDED TO SHADED VIEWS [CT195808]	AWK	
C	20MAR2020	SEE SHEET 2 OF 3 [CT202233]	BGW	
D	20JAN2021	SEE SHEET 2 [CT207481]	ARP	
E	27JUL2022	(A-2) 909 [35.8] WAS 865 [34.1]; (B-1) 174 [6.9] WAS 205 [8.1] [CT221225]	RVM	

THIRD ANGLE PROJECTION	
APPROVALS	DATE
DRAWN ADP	10-23-18
CHECKED DJV	10-23-18
APPROVED PBT	10-23-18

TITLE		SHEET 3 of 3	
DIMENSION PRINT, KG80 6.2L TURBO		SCALE 0.10	CAD NO.
ADV-9082		D	

**KOHLER**  
KOHLER, WISCONSIN 53044  
THIS DRAWING IN DESIGN AND DETAIL IS KOHLER CO. PROPERTY AND MUST NOT BE USED EXCEPT IN CONNECTION WITH KOHLER CO. WORK. ALL RIGHTS OF DESIGN OR INVENTION ARE RESERVED.