

KNOCKOUTS FOR  
1" & 1.25" CONDUIT  
(2 TOP & BOTTOM)

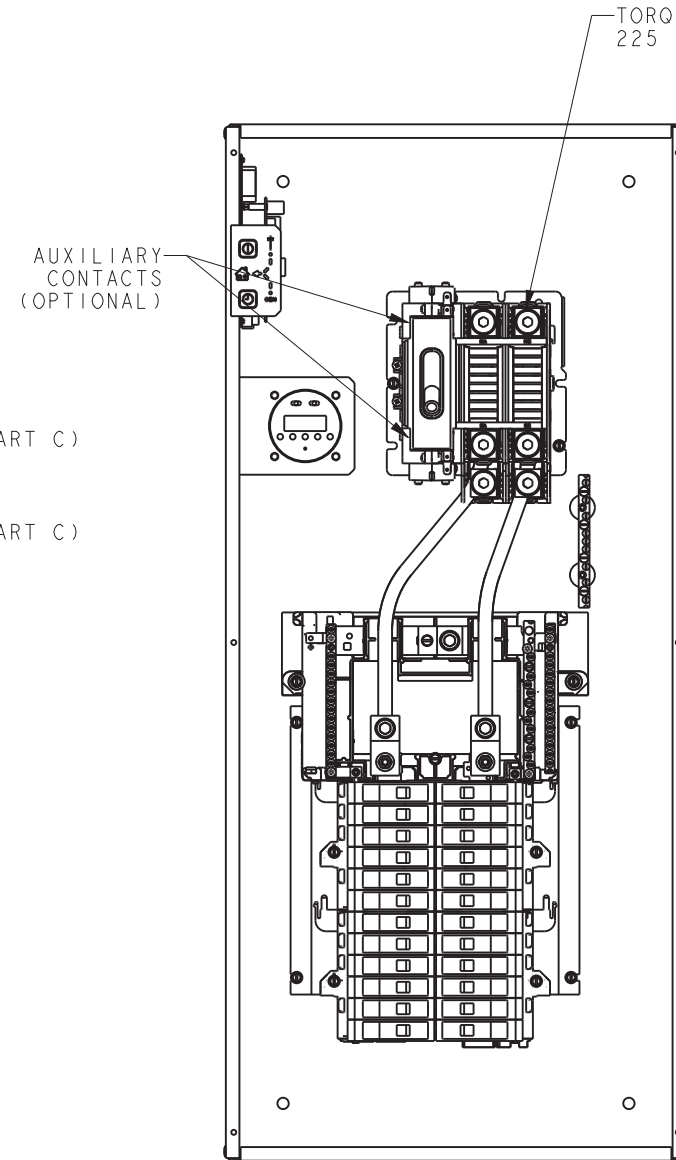
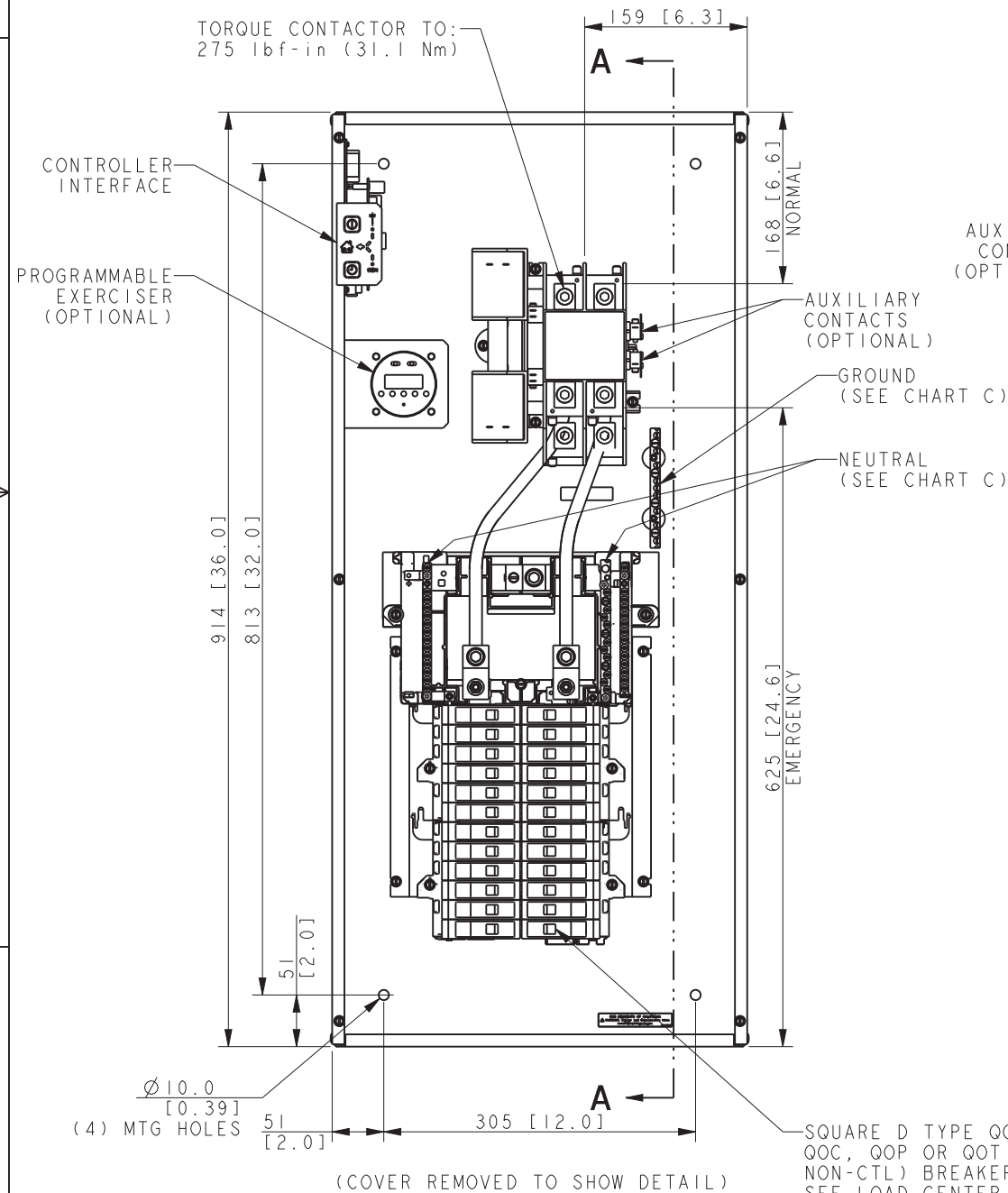
KNOCKOUTS FOR  
.5" & .75" CONDUIT  
(2 TOP & BOTTOM)

**A: SCREW TYPE TERMINALS FOR EXTERNAL POWER CONNECTION**

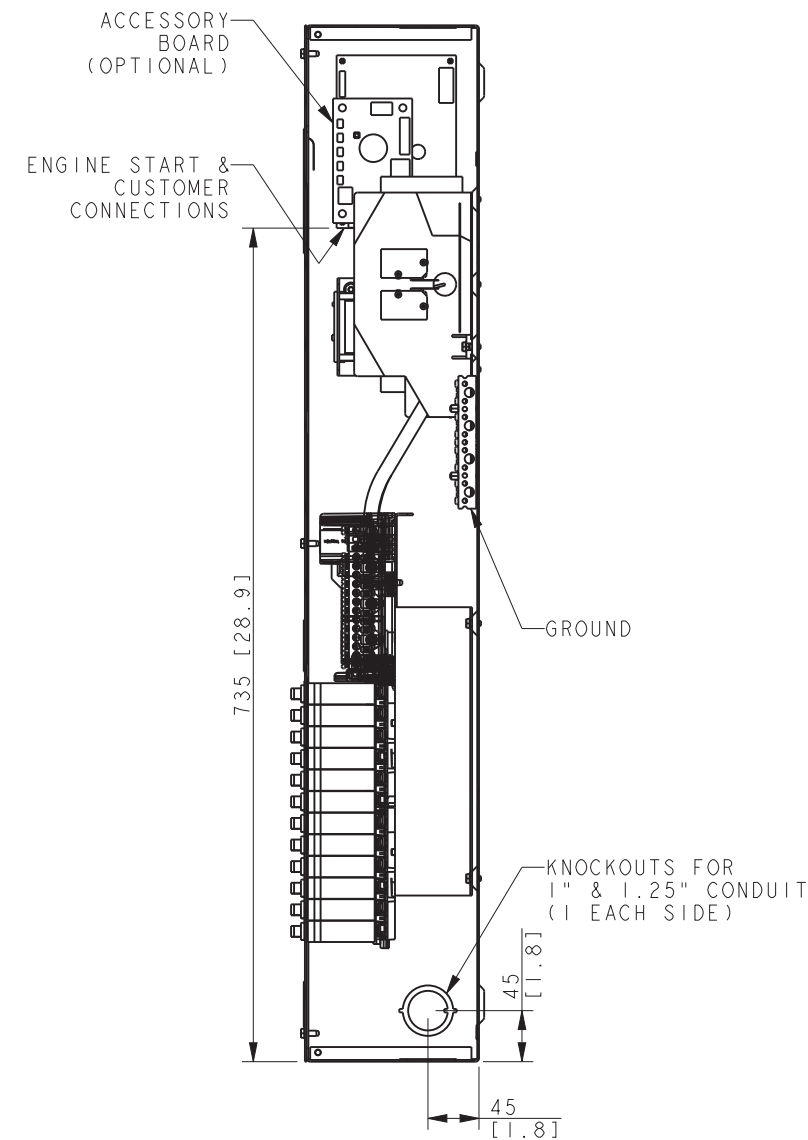
SWITCH RATING (AMPS)	RANGE OF AL-CU WIRE SIZES		
	CONTACTOR (PER PHASE)	NEUTRAL	GROUND
200	(1) #6-250 KCMIL	(38) #4-14 AWG (3) #14-1/0 AWG (1) #4-250 AWG	(9) #14-#6 AWG (4) 1/0-#14 AWG

**C: TORQUE**

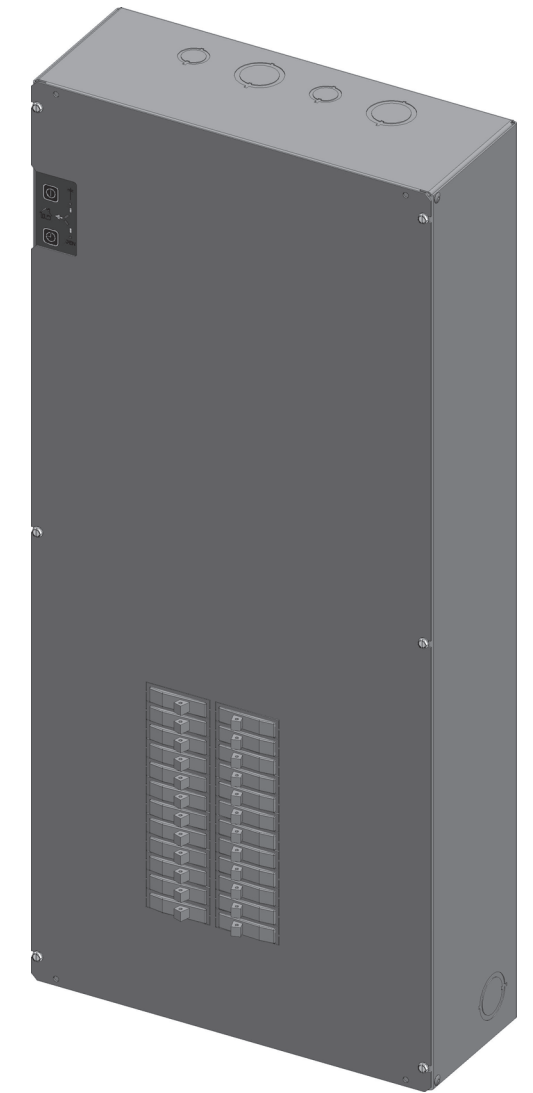
	LARGE HOLE	SMALL HOLE
#14-10 AWG	35 lbf-in (4 Nm)	#14-10 AWG 15 lbf-in (1.7 Nm)
#8 AWG	40 lbf-in (4.5 Nm)	
#6-4 AWG	45 lbf-in (5.1 Nm)	
#2-1/0	50 lbf-in (5.6 Nm)	#8-6 AWG 25 lbf-in (2.8 Nm)



ALTERNATE CONTACTOR VIEW



SECTION A-A



NOTES:  
DIMENSION IN [ ] ARE INCHES.  
FINISH: ANSI 49 GRAY  
REFER TO OPERATOR'S MANUAL PRIOR TO INSTALLATION AND OPERATION OF UNIT.  
APPROXIMATE WEIGHT: 21 Kg (45 LBS.)

**B: LOAD CENTER CHART INFORMATION**

SPACES	MAXIMUM NUMBER OF SINGLE POLE CIRCUITS	MAIN TERMINAL SIZE AWG	NUMBER OF BRANCH NEUTRAL TERMINALS
		AL OR CU (75 °C)	
24	36	4-250 MCM	41

SQUARE D TYPE QO, QOA, QOC, QOP OR QOT (20A MAX. NON-CTL) BREAKER  
SEE LOAD CENTER CHART BELOW FOR FURTHER INFORMATION.  
(NOT INCLUDED)

**MODEL R  
200A RESIDENTIAL ATS  
WITH LOAD CENTER  
MPAC 500 CONTROLLER  
STANDARD TRANSITION  
NEMA 1 ENCLOSURE**

REV	DATE	ON COMPOSITE DWGS. SEE PART NO. FOR REVISION LEVEL	BY
-	11-26-19	NEW DRAWING [CT199910]	ZHK

UNLESS OTHERWISE SPECIFIED -  
1) DIMENSIONS ARE IN MILLIMETERS  
2) TOLERANCES ARE:  
X.XX ± 0.25  
X.X ± 1.0  
X ± 1.5  
ANGLES ± 0° 30'  
SURFACE FINISH MAX.  
THIRD ANGLE PROJECTION

APPROVALS	DATE
DRAWN ZHK	11-21-19
CHECKED MTL	11-21-19
APPROVED MTL	11-21-19

**KOHLER CO. METRIC PRO-E**  
POWER SYSTEMS, KOHLER, WI 53044 U.S.A.  
THIS DRAWING IN DESIGN AND DETAIL IS KOHLER CO. PROPERTY AND MUST NOT BE USED EXCEPT IN CONNECTION WITH KOHLER CO. WORK. ALL RIGHTS OF DESIGN OR INVENTION ARE RESERVED.

TITLE: **DIMENSION PRINT, 200A RDT, 24 SP LC, NI**

SCALE: 0.30 CAD NO. SHEET 1 of 1  
DWG NO. **ADV-9182**