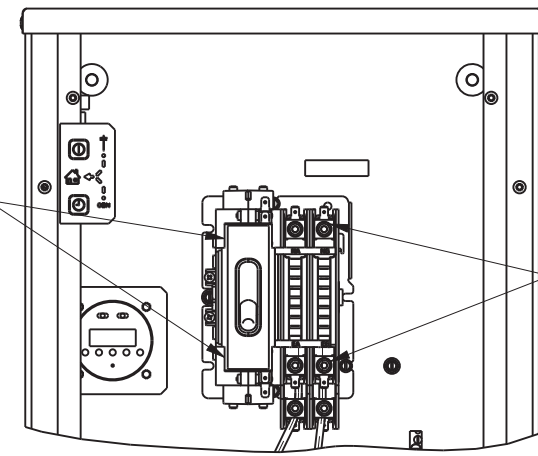


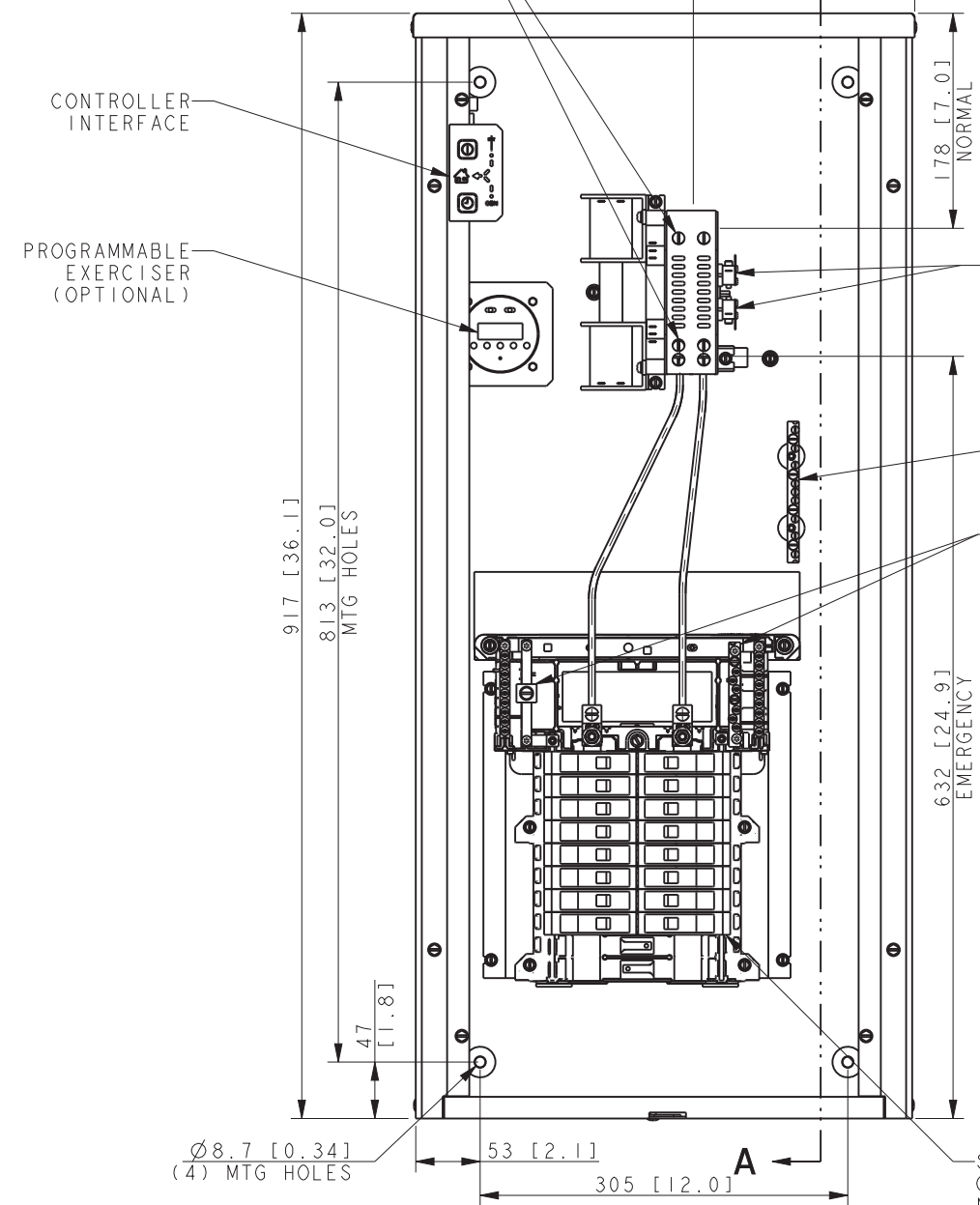
AUXILIARY CONTACTS (OPTIONAL)



NORMAL/EMERGENCY  
 #14-10 AWG 50 lbf-in (5.6 Nm)  
 #8-1/0 120 lbf-in (14 Nm)

ALTERNATE CONTACTOR VIEW

NORMAL/EMERGENCY  
 #14-10 AWG 35 lbf-in (4 Nm)  
 #8 AWG 40 lbf-in (4.5 Nm)  
 #6-4 AWG 45 lbf-in (5.1 Nm)  
 #2-1/0 50 lbf-in (5.6 Nm)



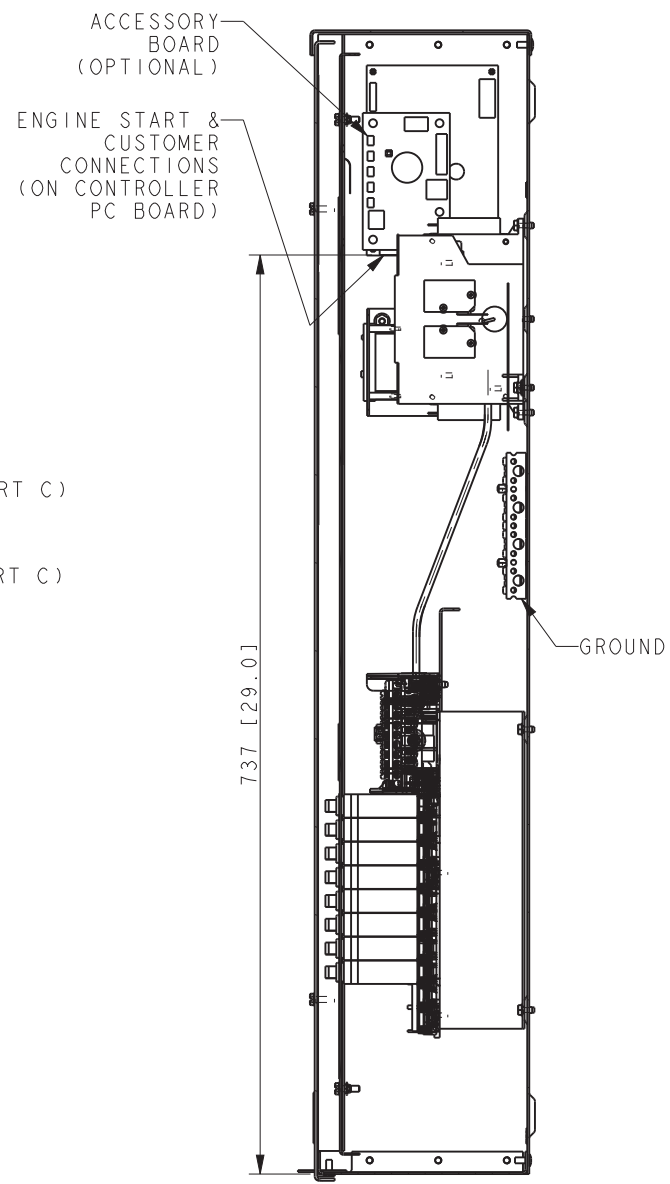
AUXILIARY CONTACTS (OPTIONAL)

GROUND (SEE CHART C)

NEUTRAL (SEE CHART C)

SQUARE D TYPE QO, QOA, QOC, QOP, OR QOT (20A MAX. NON-CTL) BREAKERS  
 SEE LOAD CENTER CHART BELOW FOR FURTHER INFORMATION.  
 CIRCUIT BREAKERS (NOT INCLUDED)

(COVER & INNER PANEL REMOVED TO SHOW DETAIL)



SECTION A-A

**A: SCREW TYPE TERMINALS FOR EXTERNAL POWER CONNECTION**

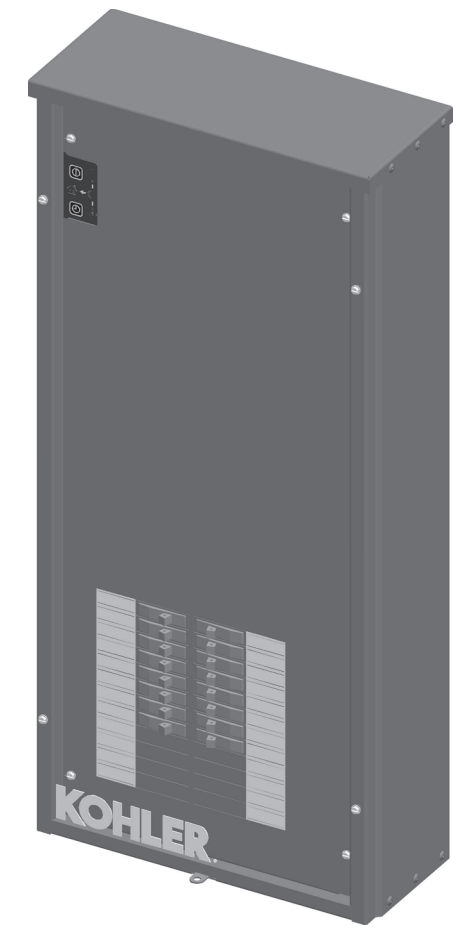
SWITCH RATING (AMPS)	RANGE OF AL-CU WIRE SIZES		
	CONTACTOR (PER PHASE)	NEUTRAL	GROUND
100	(1) #14-1/0 AWG	(26) #4-14 AWG (2) #14-1/0 AWG (1) #6-2/0 AWG	(9) #14 - #6 AWG (4) 1/0 - #14 AWG

**C: GROUND TORQUE**

	LARGE HOLE	SMALL HOLE
#14 - 10 AWG	35 lbf-in (4 Nm)	#14-10 AWG 15 lbf-in (1.7 Nm)
#8 AWG	40 lbf-in (4.5 Nm)	
#6 - 4 AWG	45 lbf-in (5.1 Nm)	
#2 - 1/0	50 lbf-in (5.6 Nm)	#8-6 AWG 25 lbf-in (2.8 Nm)



COVER SHOWN  
 SCALE 0.25



INNER PANEL SHOWN  
 SCALE 0.25

NOTES:  
 DIMENSION IN [ ] ARE INCHES  
 FINISH: ANSI 49 GRAY  
 REFER TO OPERATOR'S MANUAL PRIOR TO INSTALLATION AND OPERATION OF UNIT.  
 APPROXIMATE WEIGHT: 8 Kg (18 LBS.)

**B: LOAD CENTER CHART INFORMATION**

SPACES	MAXIMUM NUMBER OF SINGLE POLE CIRCUITS	MAIN TERMINAL SIZE AWG	NUMBER OF BRANCH NEUTRAL TERMINALS
		AL OR CU (75 °C)	
16	24	6-2/0	29

**MODEL R**  
 100A RESIDENTIAL ATS WITH LOAD CENTER  
 MPAC 500 CONTROLLER  
 STANDARD TRANSITION  
 NEMA 3R ENCLOSURE

REV	DATE	ON COMPOSITE DWGS. SEE PART NO. FOR REVISION LEVEL	BY
-	11-27-19	NEW DRAWING [CT199910]	IJM

UNLESS OTHERWISE SPECIFIED -  
 1) DIMENSIONS ARE IN MILLIMETERS  
 2) TOLERANCES ARE:  
 X.XX ± 0.25  
 X.X ± 1.0  
 X ± 1.5  
 ANGLES ± 0° 30' MAX.  
 SURFACE FINISH  
 THIRD ANGLE PROJECTION

APPROVALS	DATE
DRAWN IJM	11-22-19
CHECKED MTL	11-22-19
APPROVED MTL	11-22-19

**KOHLER CO. METRIC PRO-E**  
 POWER SYSTEMS, KOHLER, WI 53044 U.S.A.  
 THIS DRAWING IN DESIGN AND DETAIL IS KOHLER CO. PROPERTY AND MUST NOT BE USED EXCEPT IN CONNECTION WITH KOHLER CO. WORK. ALL RIGHTS OF DESIGN OR INVENTION ARE RESERVED.

TITLE: **DIAMENSION PRINT, 100A RDT, 16 SP LC, N3R**

SCALE 0.33 CAD NO. SHEET 1 of 1  
 DWG NO. **ADV-9183**