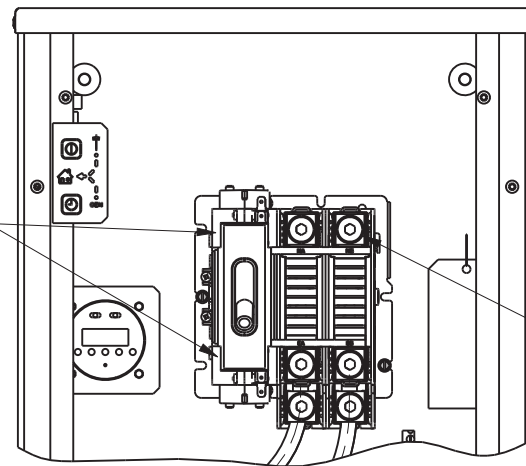


AUXILIARY CONTACTS (OPTIONAL)

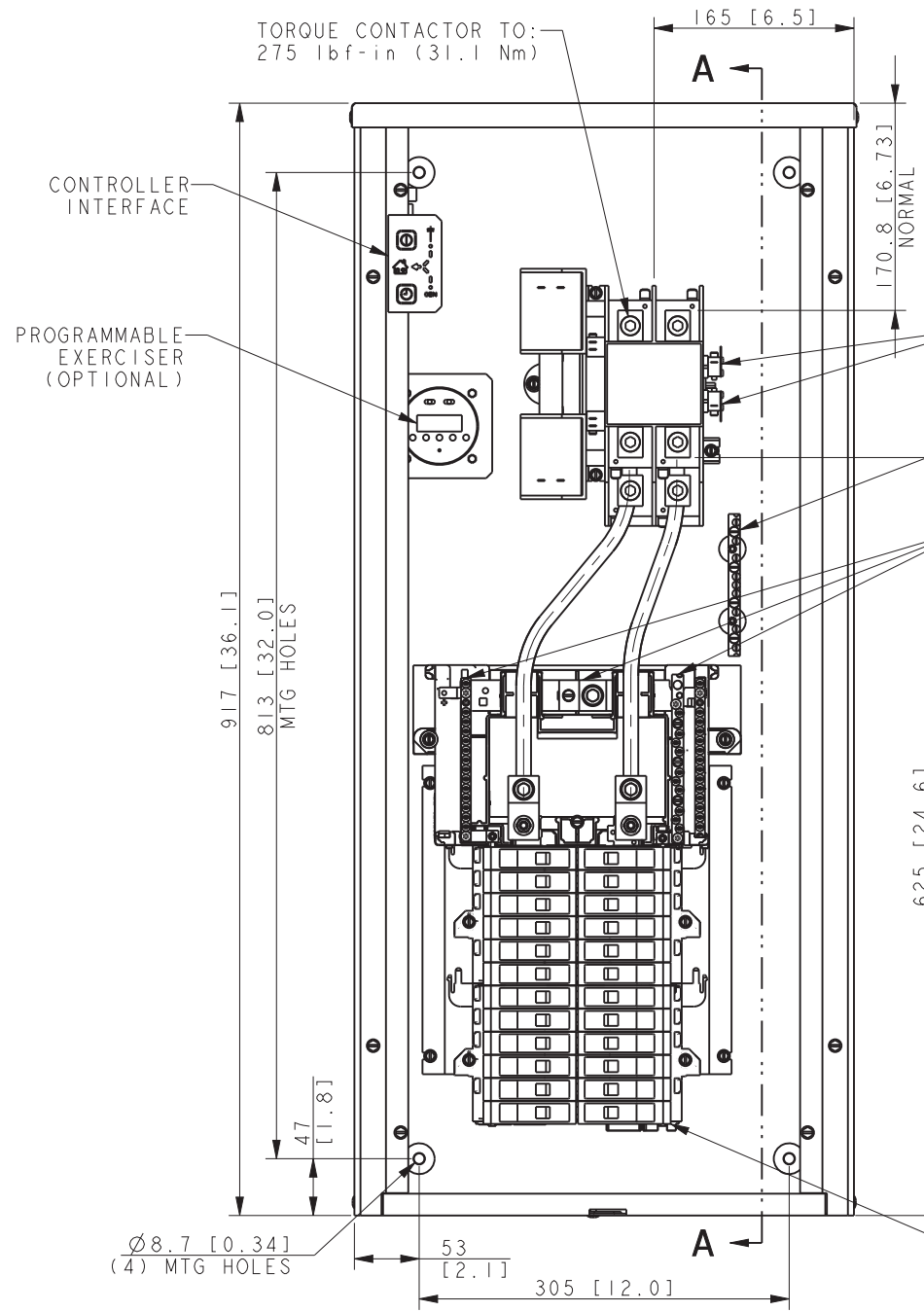


ALTERNATE CONTACTOR VIEW

TORQUE CONTACTOR TO:
225 lbf-in (25.4 Nm)

A: SCREW TYPE TERMINALS FOR EXTERNAL POWER CONNECTION			
SWITCH RATING (AMPS)	RANGE OF AL-CU WIRE SIZES		
	CONTACTOR (PER PHASE)	NEUTRAL	GROUND
200	(1) #6 - 250 KCMIL	(38) #4-14 AWG (3) #14-1/0 AWG (1) #4-250 AWG	(9) #14 - #6 AWG (4) 1/0 - #14 AWG

C: TORQUE		
	LARGE HOLE	SMALL HOLE
#14 - 10 AWG	35 lbf-in (4 Nm)	#14-10 AWG 15 lbf-in (1.7 Nm)
#8 AWG	40 lbf-in (4.5 Nm)	
#6 - 4 AWG	45 lbf-in (5.1 Nm)	
#2 - 1/0	50 lbf-in (5.6 Nm)	#8-6 AWG 25 lbf-in (2.8 Nm)



ACCESSORY BOARD (OPTIONAL)

ENGINE START & CUSTOMER CONNECTIONS (ON CONTROLLER PC BOARD)

AUXILIARY CONTACTS (OPTIONAL)

GROUND (SEE CHART C)

NEUTRAL (SEE CHART C)

625 [24.6] EMERGENCY

737 [29.0]

GROUND

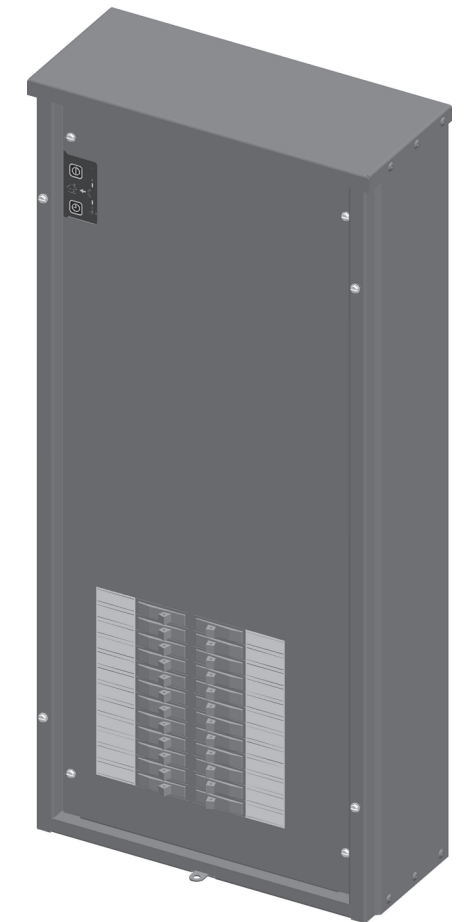
SECTION A-A

SQUARE D TYPE QO, QOA, QOC, QOP, OR QOT (20A MAX. NON-CTL) BREAKERS SEE LOAD CENTER CHART BELOW FOR FURTHER INFORMATION. (NOT INCLUDED)

(COVER & INNER PANEL REMOVED TO SHOW DETAIL)



COVER SHOWN
SCALE 0.25



INNER PANEL SHOWN
SCALE 0.25

NOTES:
DIMENSIONS IN [] ARE INCHES

FINISH: ANSI 49 GRAY

REFER TO OPERATOR'S MANUAL PRIOR TO INSTALLATION AND OPERATION OF UNIT.

APPROXIMATE WEIGHT: 8 Kg (18 LBS.)

B: LOAD CENTER CHART INFORMATION			
SPACES	MAXIMUM NUMBER OF SINGLE POLE CIRCUITS	MAIN TERMINAL SIZE AWG	NUMBER OF BRANCH NEUTRAL TERMINALS
		AL OR CU (75 °C)	
24	36	4-250MCM	41

MODEL R
200A RESIDENTIAL ATS WITH LOAD CENTER
MPAC 500 CONTROLLER
STANDARD TRANSITION
NEMA 3R ENCLOSURE

REV	DATE	ON COMPOSITE DWGS. SEE PART NO. FOR REVISION LEVEL	BY
-	11-26-19	NEW DRAWING [CT199910]	IJM

UNLESS OTHERWISE SPECIFIED -
1) DIMENSIONS ARE IN MILLIMETERS
2) TOLERANCES ARE:
X.XX ± 0.25
X.X ± 1.0
X ± 1.5
ANGLES ± 0° 30' MAX.

APPROVALS	DATE
DRAWN IJM	11-26-19
CHECKED MTL	11-26-19
APPROVED MTL	11-26-19

THIRD ANGLE PROJECTION

KOHLER CO. METRIC PRO-E	
POWER SYSTEMS, KOHLER, WI 53044 U.S.A.	
THIS DRAWING IN DESIGN AND DETAIL IS KOHLER CO. PROPERTY AND MUST NOT BE USED EXCEPT IN CONNECTION WITH KOHLER CO. WORK. ALL RIGHTS OF DESIGN OR INVENTION ARE RESERVED.	
TITLE: DIAMENSION PRINT, 200A RDT, 24 SP LC, N3R	
SCALE: 0.33	CAD NO. SHEET 1 of 1
DWG NO. ADV-9184	