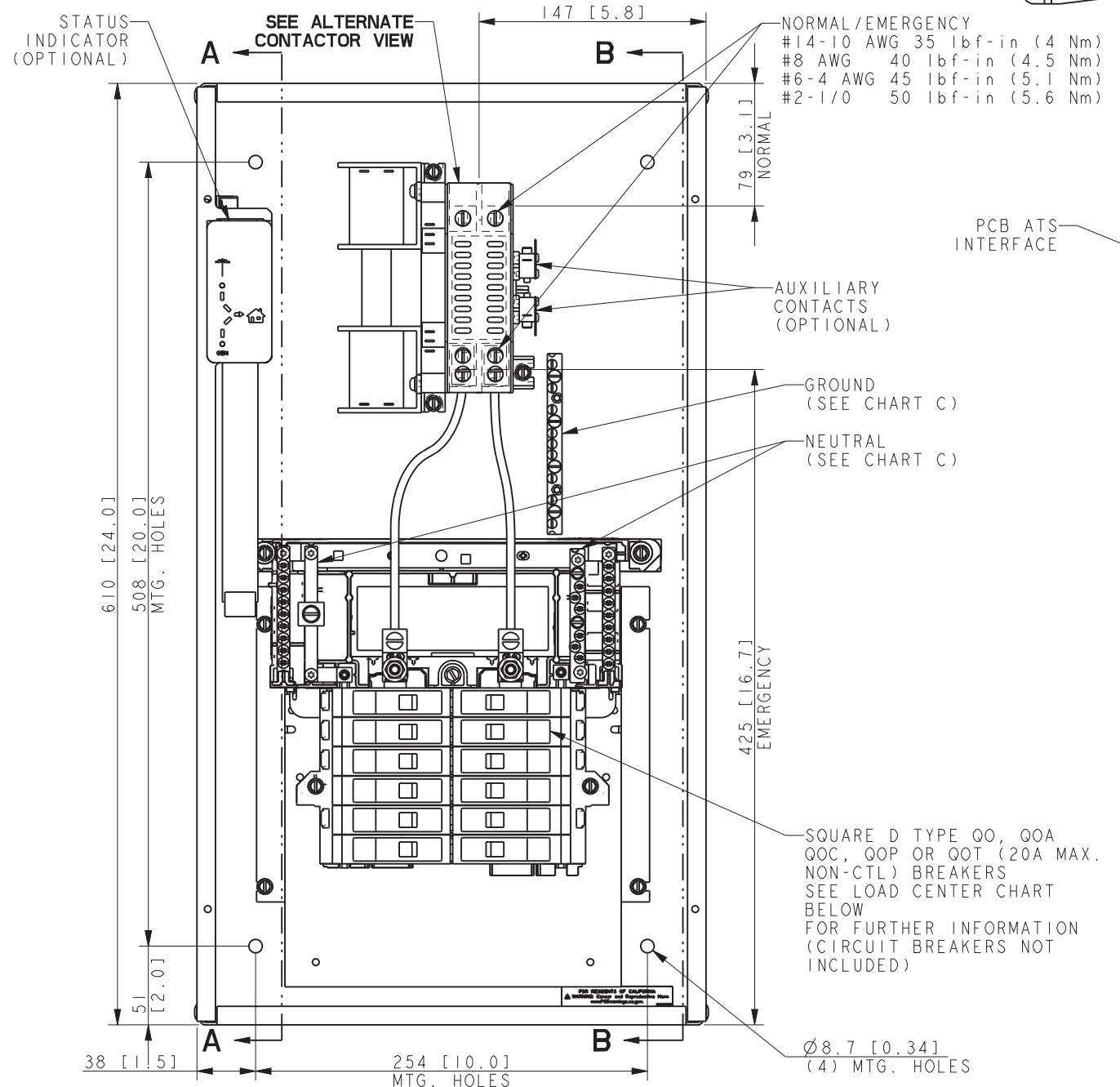
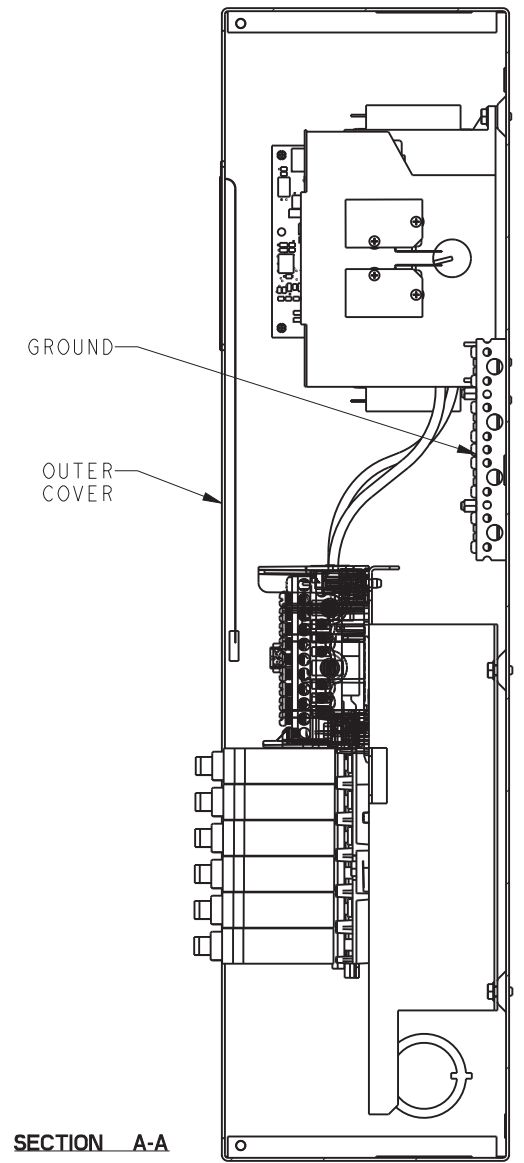
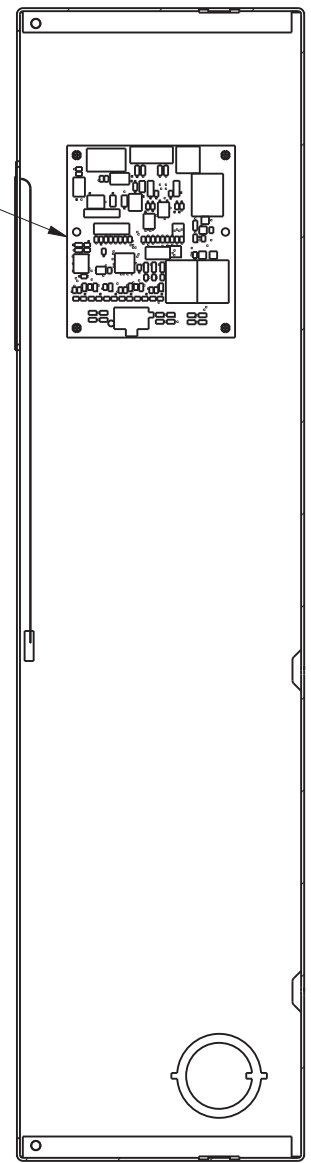


A: SCREW TYPE TERMINALS FOR EXTERNAL POWER CONNECTION

SWITCH RATING (AMPS)	RANGE OF AL-CU WIRE SIZES		
	CONTACTOR (PER PHASE)	NEUTRAL	GROUND
100	(1) #14-1/0 AWG	(26) #4-14 AWG (2) #14-1/0 AWG (1) #6-2/0 AWG	(9) #14-#6 AWG (4) 1/0-#14 AWG



ALTERNATE CONTACTOR VIEW



DIMENSIONS IN [] ARE IN INCH EQUIVALENTS.
 COVER FINISH: ANSI 49 GRAY
 REFER TO OPERATOR'S MANUAL PRIOR TO INSTALLATION AND OPERATION OF UNIT.
 APPROXIMATE WEIGHT 12 Kg (26 LBS.)

B: LOAD CENTER CHART INFORMATION

SPACES	MAXIMUM NUMBER OF SINGLE POLE CIRCUITS	MAIN TERMINAL SIZE AWG	NUMBER OF BRANCH NEUTRAL TERMINALS
		Al or Cu (75 °C)	
12	24	6-2/0	29

C: TORQUE

	LARGE HOLE	SMALL HOLE
#14-10 AWG	35 lbf-in (4 Nm)	#14-10 AWG 15 lbf-in (1.7 Nm)
#8 AWG	40 lbf-in (4.5 Nm)	
#6-4 AWG	45 lbf-in (5.1 Nm)	
#2-1/0	50 lbf-in (5.6 Nm)	#8-6 AWG 25 lbf-in (2.8 Nm)

**100A
 MODEL RXT
 12 POS.
 LOAD CENTER
 NEMA 1 ENCL**

REV	DATE	ON COMPOSITE DWGS. SEE PART NO. FOR REVISION LEVEL	BY
-	11-27-19	NEW DRAWING [CT199910]	ZHK

UNLESS OTHERWISE SPECIFIED -
 1) DIMENSIONS ARE IN MILLIMETERS
 2) TOLERANCES ARE:
 X.XX ± 0.25
 X.X ± 1.0
 X ± 1.5
 ANGLES ± 0° 30'
 SURFACE FINISH MAX.

APPROVALS	DATE
DRWN ZHK	11-25-19
CHEK MTL	11-25-19
APPRV MTL	11-25-19

KOHLER CO. METRIC PRO-E
 POWER SYSTEMS, KOHLER, WI 53044 U.S.A.
 THIS DRAWING IN DESIGN AND DETAIL IS KOHLER CO. PROPERTY AND MUST NOT BE USED EXCEPT IN CONNECTION WITH KOHLER CO. WORK. ALL RIGHTS OF DESIGN OR INVENTION ARE RESERVED.

TITLE DIMENSION PRINT, 100A RXT, 12 SP LC, N1

SCALE 0.50 CAD NO. SHEET 1 of 1
 DWG NO. **ADV-9186**