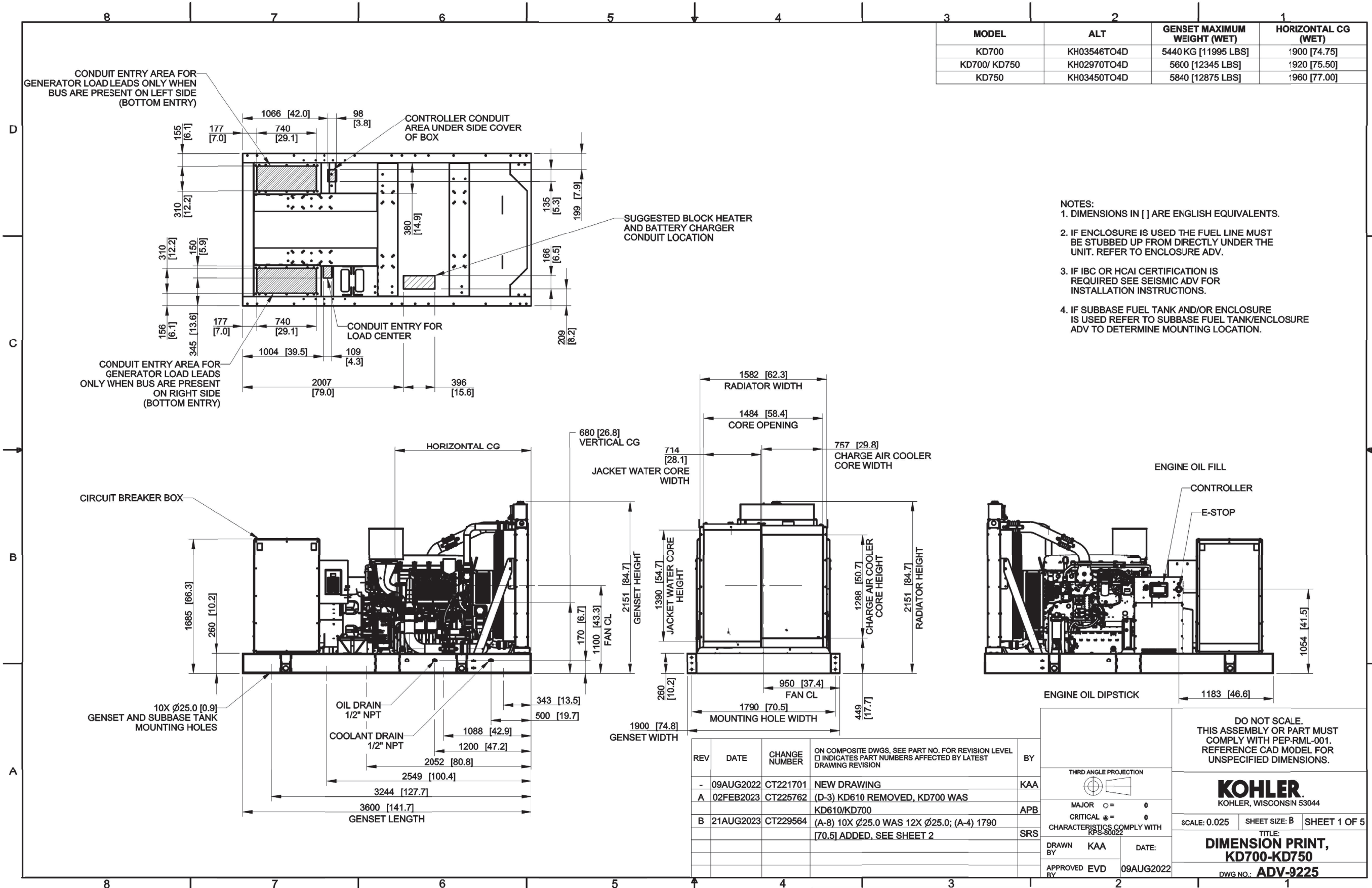


MODEL	ALT	GENSET MAXIMUM WEIGHT (WET)	HORIZONTAL CG (WET)
KD700	KH03546TO4D	5440 KG [11995 LBS]	1900 [74.75]
KD700/ KD750	KH02970TO4D	5600 [12345 LBS]	1920 [75.50]
KD750	KH03450TO4D	5840 [12875 LBS]	1960 [77.00]

- NOTES:
1. DIMENSIONS IN [] ARE ENGLISH EQUIVALENTS.
 2. IF ENCLOSURE IS USED THE FUEL LINE MUST BE STUBBED UP FROM DIRECTLY UNDER THE UNIT. REFER TO ENCLOSURE ADV.
 3. IF IBC OR HCAI CERTIFICATION IS REQUIRED SEE SEISMIC ADV FOR INSTALLATION INSTRUCTIONS.
 4. IF SUBBASE FUEL TANK AND/OR ENCLOSURE IS USED REFER TO SUBBASE FUEL TANK/ENCLOSURE ADV TO DETERMINE MOUNTING LOCATION.



REV	DATE	CHANGE NUMBER	ON COMPOSITE DWGS. SEE PART NO. FOR REVISION LEVEL □ INDICATES PART NUMBERS AFFECTED BY LATEST DRAWING REVISION	BY
-	09AUG2022	CT221701	NEW DRAWING	CAA
A	02FEB2023	CT225762	(D-3) KD610 REMOVED, KD700 WAS KD610/KD700	APB
B	21AUG2023	CT229564	(A-8) 10X Ø25.0 WAS 12X Ø25.0; (A-4) 1790 [70.5] ADDED. SEE SHEET 2	SRS

THIRD ANGLE PROJECTION

MAJOR 0 = 0
CRITICAL * = 0
CHARACTERISTICS COMPLY WITH KPS-30022

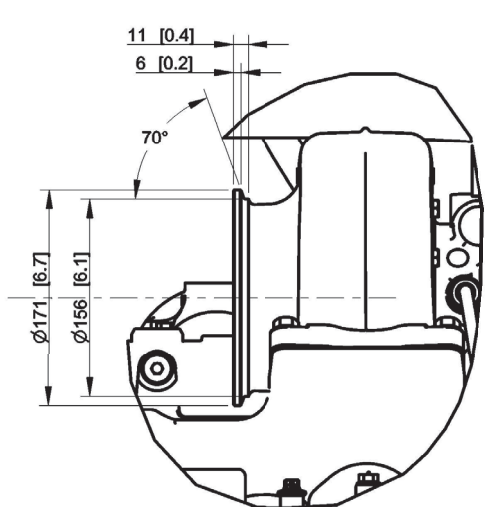
DRAWN BY: CAA DATE: 09AUG2022
APPROVED BY: EVD

DO NOT SCALE. THIS ASSEMBLY OR PART MUST COMPLY WITH PEP-RML-001. REFERENCE CAD MODEL FOR UNSPECIFIED DIMENSIONS.

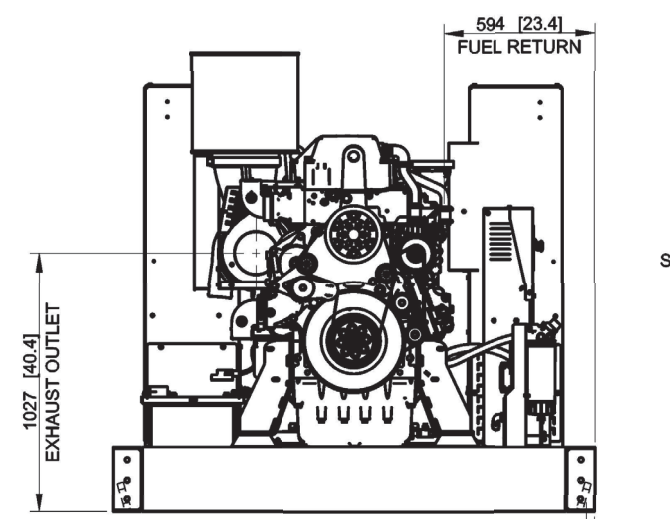
KOHLER
KOHLER, WISCONSIN 53044

SCALE: 0.025 SHEET SIZE: B SHEET 1 OF 5

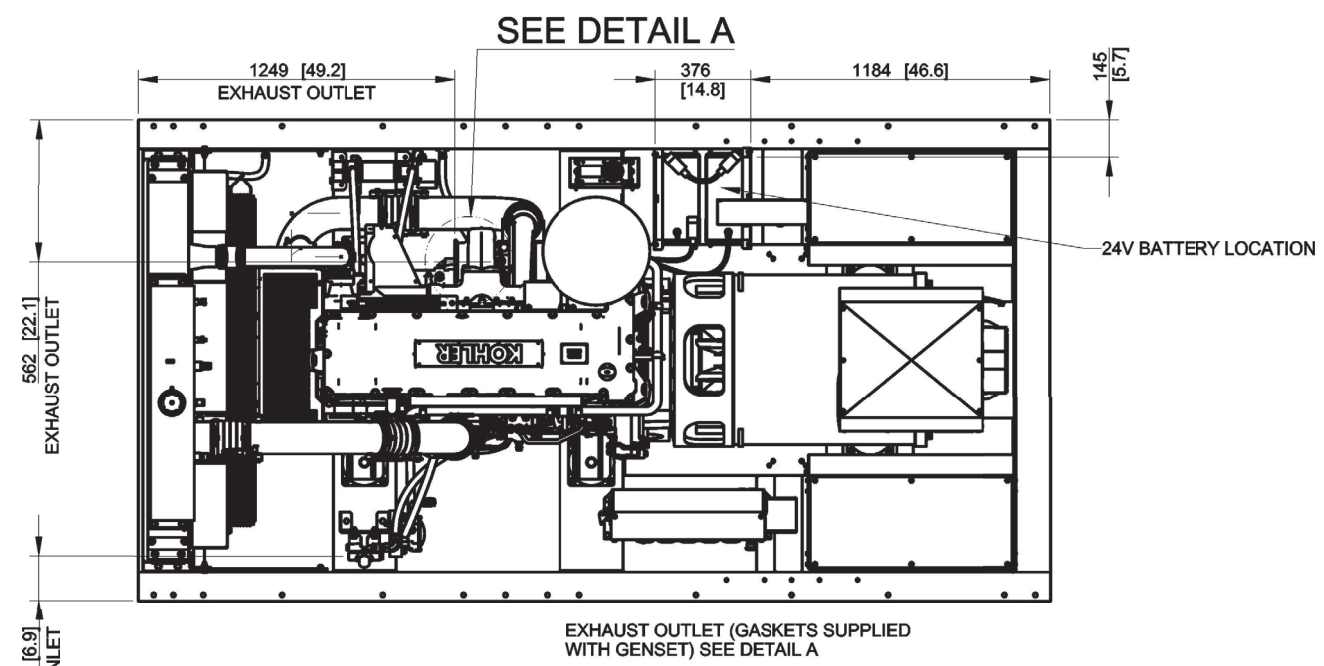
TITLE: **DIMENSION PRINT, KD700-KD750**
DWG NO.: **ADV-9225**



DETAIL A
SCALE 0.200

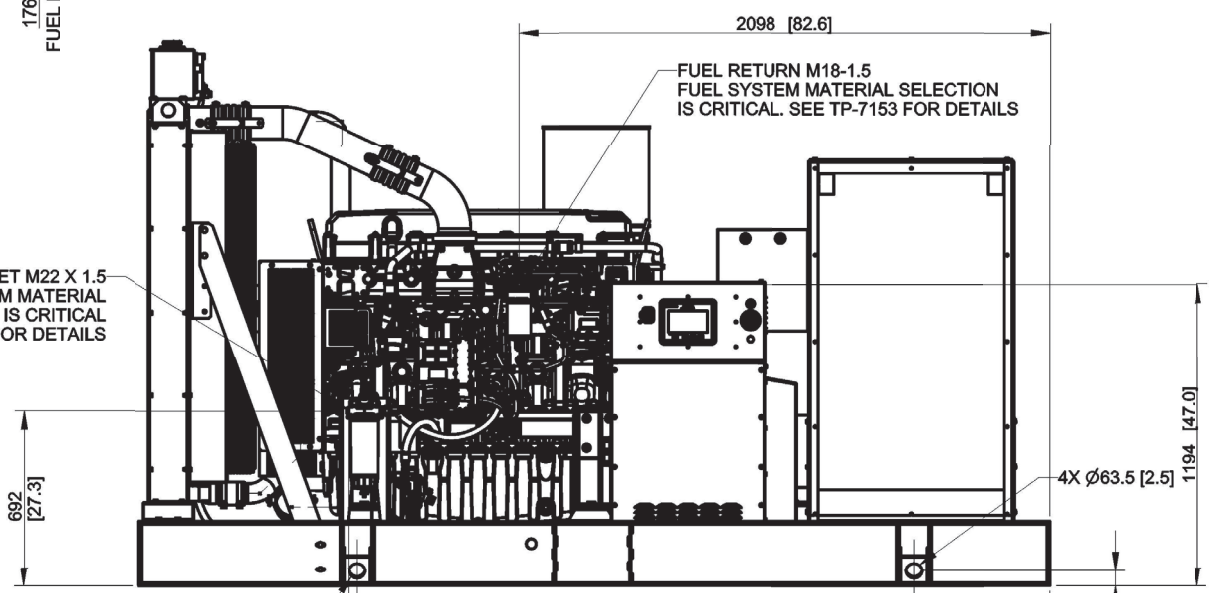


VIEW WITH RADIATOR, BLOCK HEATER
AND BATTERY CHARGER HIDDEN



SEE DETAIL A

EXHAUST OUTLET (GASKETS SUPPLIED
WITH GENSET) SEE DETAIL A



FUEL INLET M22 X 1.5
FUEL SYSTEM MATERIAL
SELECTION IS CRITICAL
SEE TP-7153 FOR DETAILS

FUEL RETURN M18-1.5
FUEL SYSTEM MATERIAL SELECTION
IS CRITICAL. SEE TP-7153 FOR DETAILS

GENSET LIFT POINTS
TO BE USED TO LIFT
OPEN GENSET ONLY

REV	DATE	CHANGE NUMBER	ON COMPOSITE DWGS. SEE PART NO. FOR REVISION LEVEL □ INDICATES PART NUMBERS AFFECTED BY LATEST DRAWING REVISION	BY
-	09AUG2022	CT221701	NEW DRAWING	CAA
A	02FEB2023	CT225762	SEE SHEET 1	APB
B	21AUG2023	CT229564	(B-6) & (C-3) TP-7153 WAS TP-5700, SEE SHEET 1	SRS

THIRD ANGLE PROJECTION

MAJOR $\phi = 0$

CRITICAL $\phi = 0$

CHARACTERISTICS COMPLY WITH KPS-80022

DRAWN BY: CAA DATE: 11AUG2022

APPROVED BY: EVD

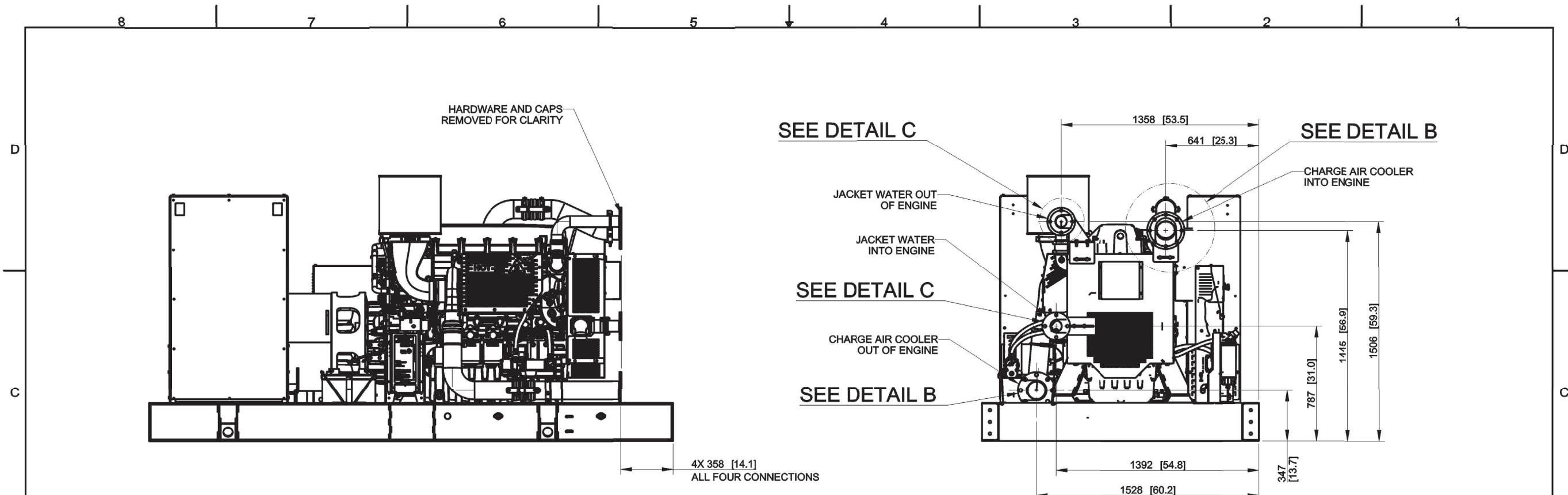
DO NOT SCALE.
THIS ASSEMBLY OR PART MUST
COMPLY WITH PEP-RML-001.
REFERENCE CAD MODEL FOR
UNSPECIFIED DIMENSIONS.

KOHLER.
KOHLER, WISCONSIN 53044

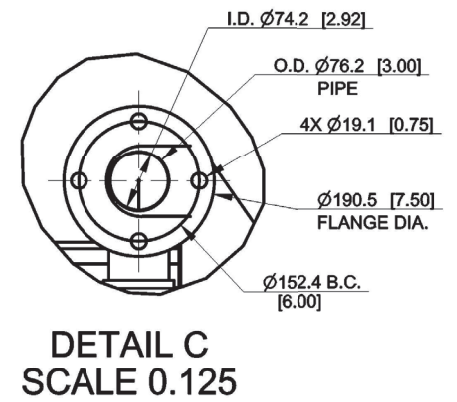
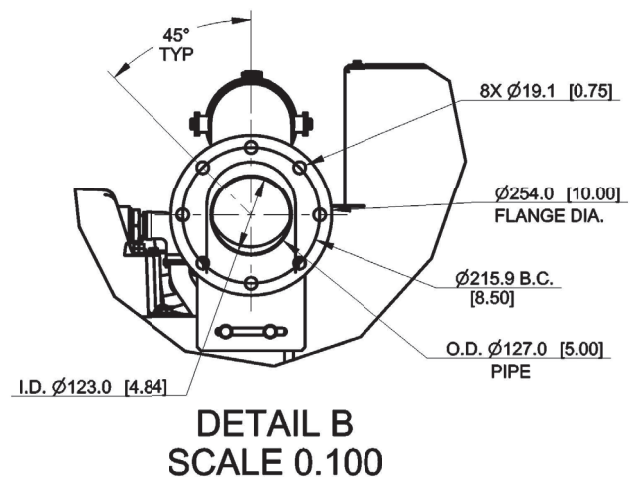
SCALE: 0.040 SHEET SIZE: B SHEET 2 OF 5

TITLE:
**DIMENSION PRINT,
KD700-KD750**

DWG NO.: **ADV-9225**



REMOTE RADIATOR SYSTEM



REV	DATE	CHANGE NUMBER	ON COMPOSITE DWGS. SEE PART NO. FOR REVISION LEVEL □ INDICATES PART NUMBERS AFFECTED BY LATEST DRAWING REVISION	BY
-	09AUG2022	CT221701	NEW DRAWING	KAA
A	02FEB2023	CT225762	SEE SHEET 1	APB
B	21AUG2023	CT229564	SEE SHEET 1 & 2	SRS

THIRD ANGLE PROJECTION

MAJOR ○ = 0
CRITICAL * = 0
CHARACTERISTICS COMPLY WITH KPS-80022

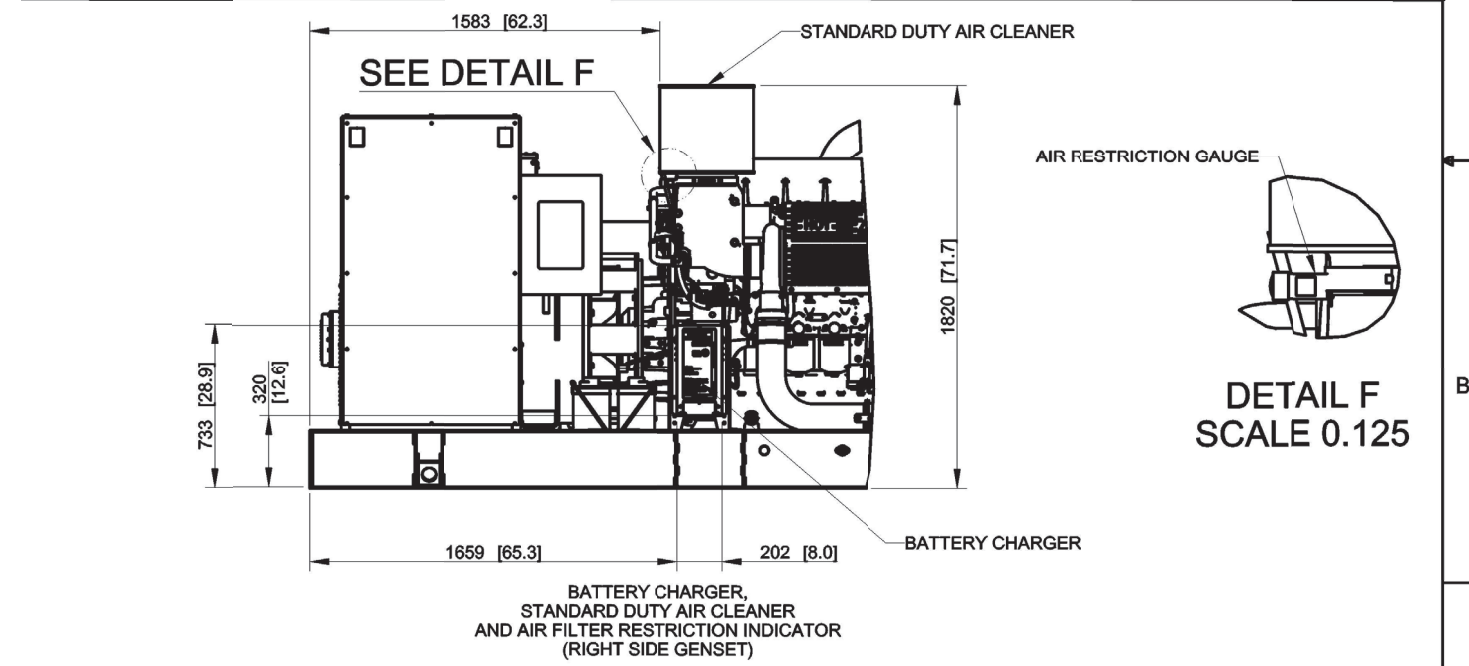
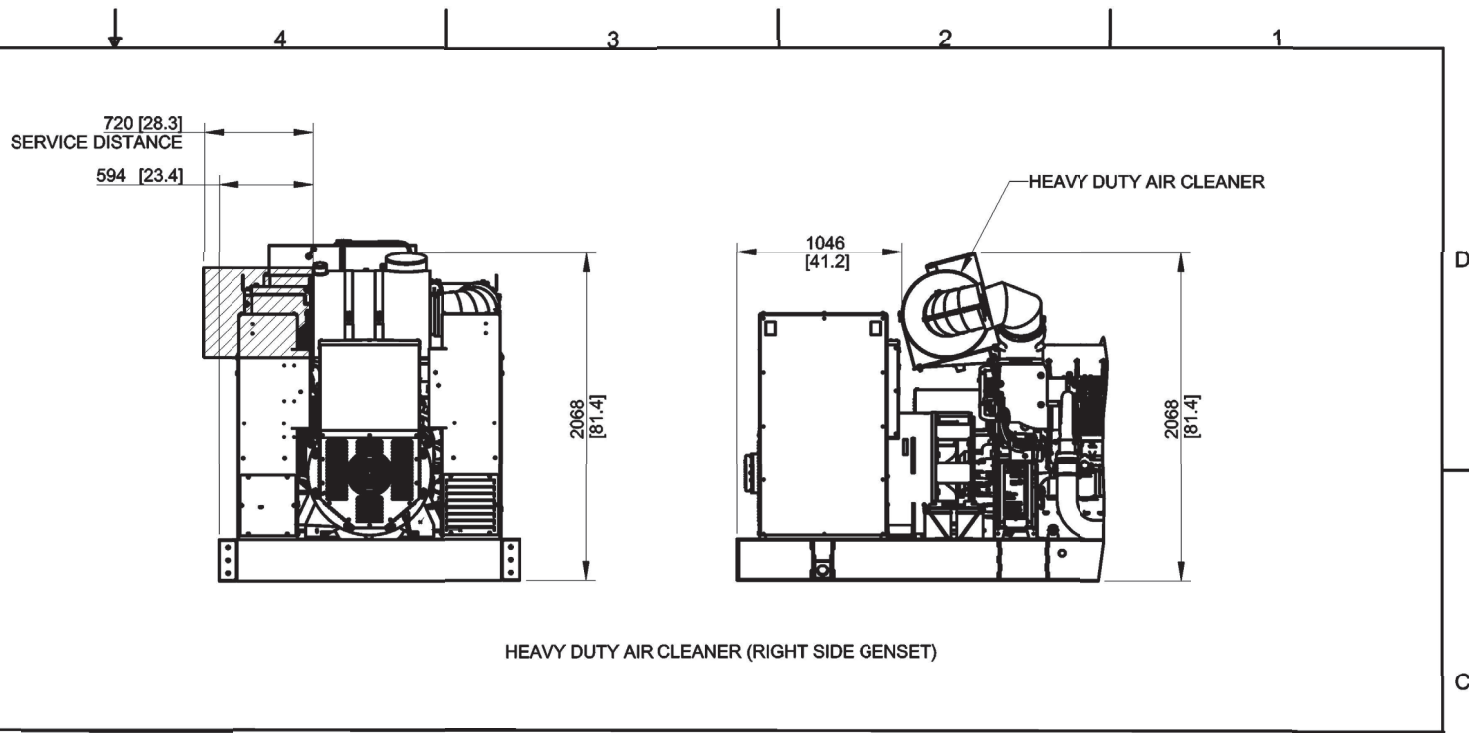
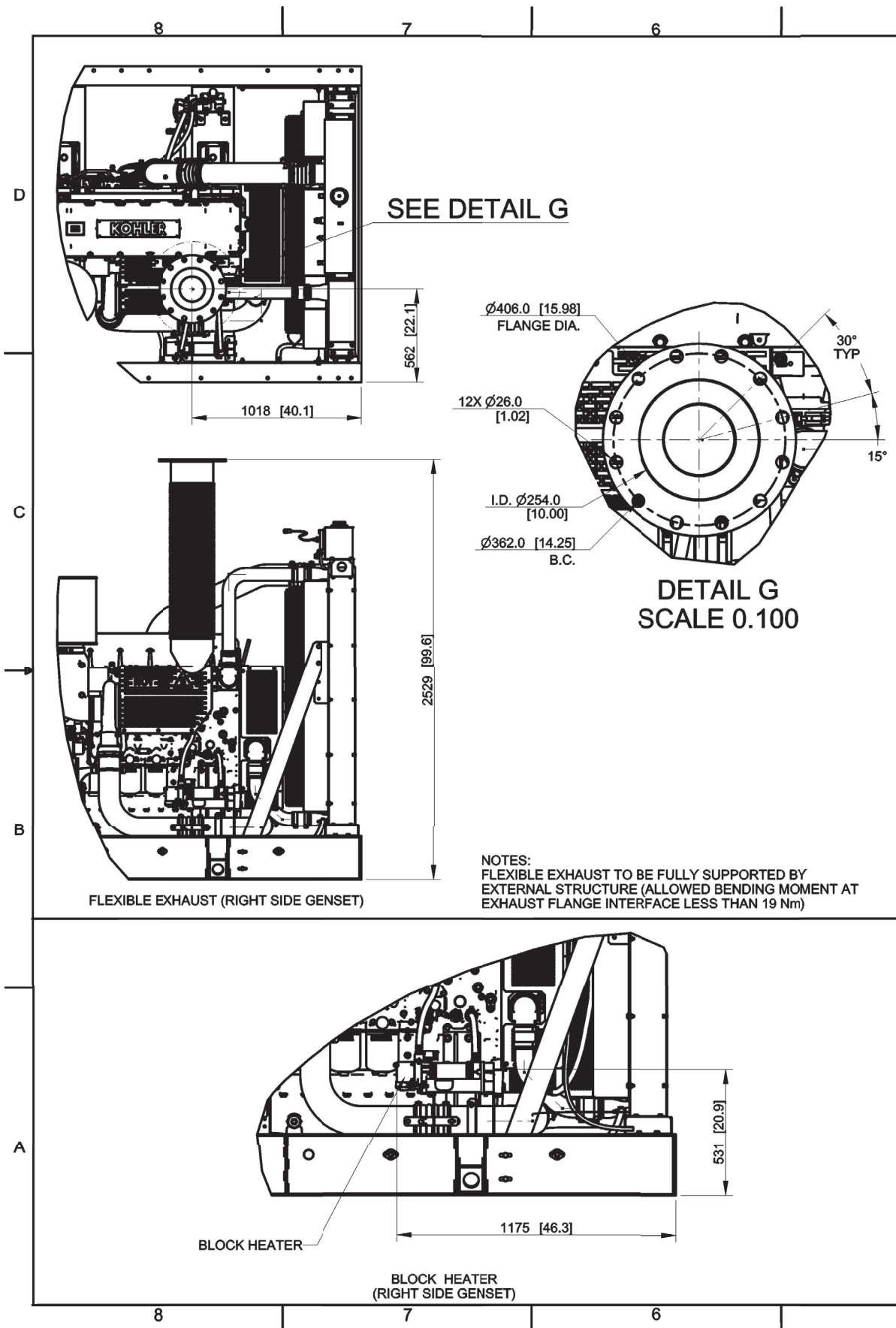
DRAWN BY: KAA DATE: 11AUG2022
APPROVED BY: EVD

DO NOT SCALE. THIS ASSEMBLY OR PART MUST COMPLY WITH PEP-RML-001. REFERENCE CAD MODEL FOR UNSPECIFIED DIMENSIONS.

KOHLER.
KOHLER, WISCONSIN 53044

SCALE: 0.400 SHEET SIZE: B SHEET 3 OF 5

TITLE:
DIMENSION PRINT, KD700-KD750
DWG NO.: **ADV-9225**



REV	DATE	CHANGE NUMBER	ON COMPOSITE DWGS, SEE PART NO. FOR REVISION LEVEL □ INDICATES PART NUMBERS AFFECTED BY LATEST DRAWING REVISION	BY
-	09AUG2022	CT221701	NEW DRAWING	KA
A	02FEB2023	CT225762	SEE SHEET 1	APB
B	21AUG2023	CT229564	SEE SHEET 1 & 2	SRS

THIRD ANGLE PROJECTION

MAJOR ○ = 0

CRITICAL * = 0

CHARACTERISTICS COMPLY WITH KPS-80022

DRAWN BY KAA DATE: 11AUG2022

APPROVED BY EVD

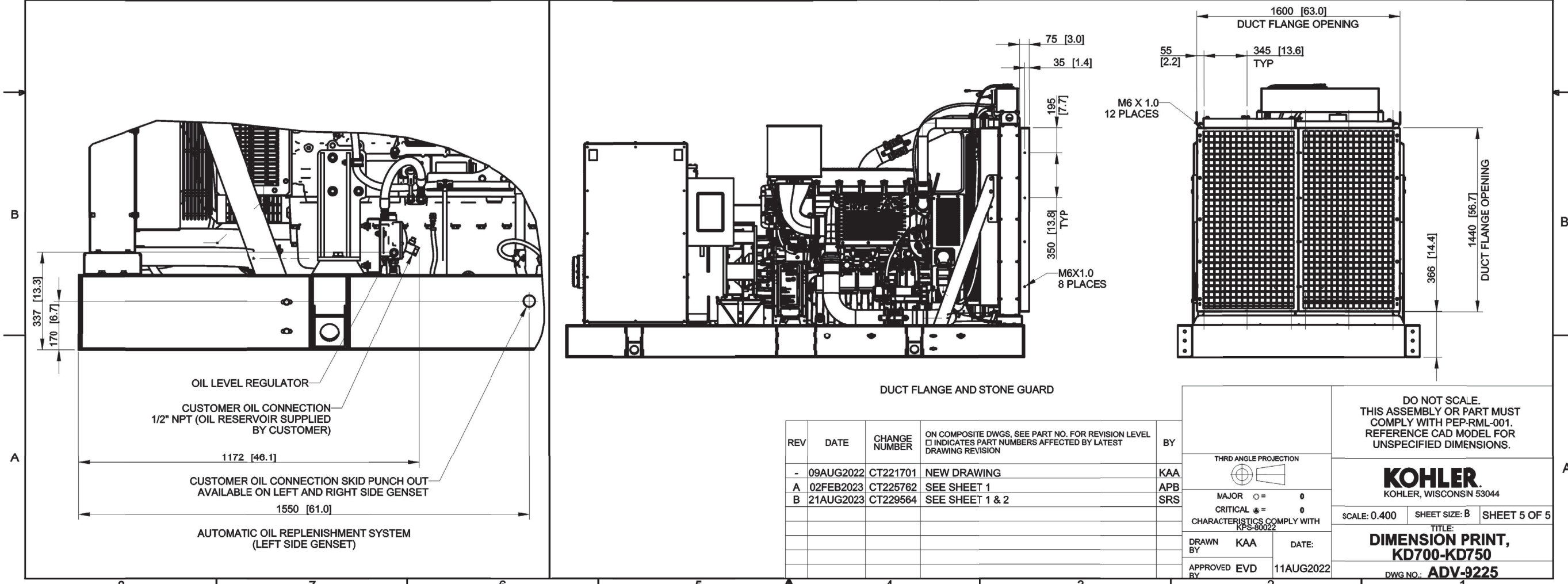
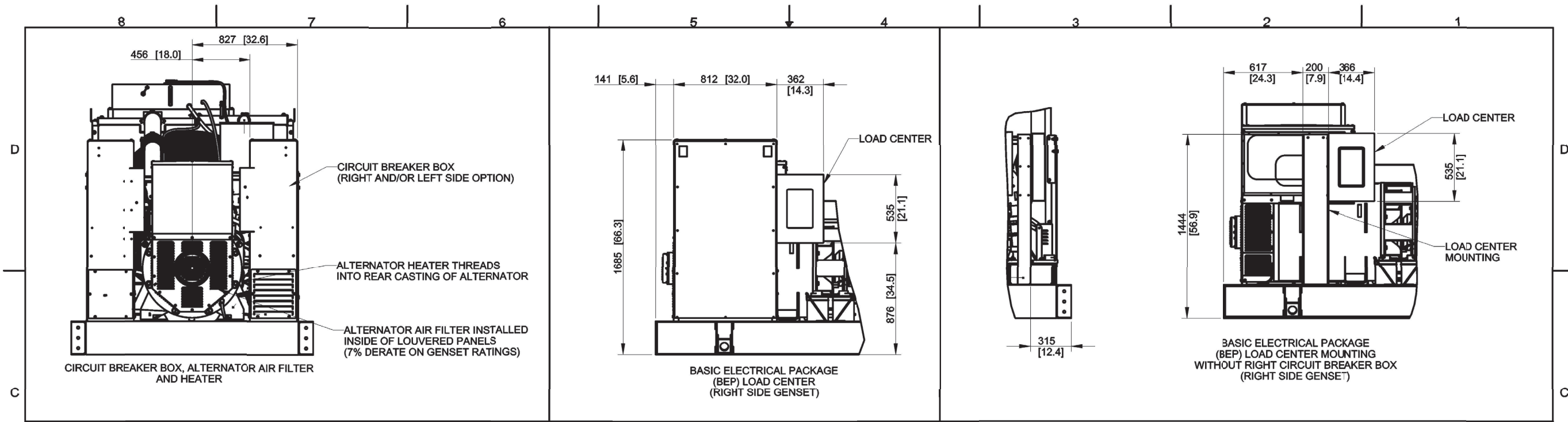
DO NOT SCALE. THIS ASSEMBLY OR PART MUST COMPLY WITH PEP-RML-001. REFERENCE CAD MODEL FOR UNSPECIFIED DIMENSIONS.

KOHLER
KOHLER, WISCONSIN 53044

SCALE: 0.010 SHEET SIZE: B SHEET 4 OF 5

TITLE:
DIMENSION PRINT, KD700-KD750

DWG NO.: **ADV-9225**



REV	DATE	CHANGE NUMBER	ON COMPOSITE DWGS, SEE PART NO. FOR REVISION LEVEL □ INDICATES PART NUMBERS AFFECTED BY LATEST DRAWING REVISION	BY
-	09AUG2022	CT221701	NEW DRAWING	KA
A	02FEB2023	CT225762	SEE SHEET 1	APB
B	21AUG2023	CT229564	SEE SHEET 1 & 2	SRS

THRD ANGLE PROJECTION

MAJOR ⌀ = 0

CRITICAL ⌀ = 0

CHARACTERISTICS COMPLY WITH KPS-30022

DRAWN BY: KAA DATE: 11AUG2022

APPROVED BY: EVD

DO NOT SCALE. THIS ASSEMBLY OR PART MUST COMPLY WITH PEP-RML-001. REFERENCE CAD MODEL FOR UNSPECIFIED DIMENSIONS.

KOHLER.
KOHLER, WISCONSIN 53044

SCALE: 0.400 SHEET SIZE: B SHEET 5 OF 5

TITLE: **DIMENSION PRINT, KD700-KD750**

DWG NO.: **ADV-9225**