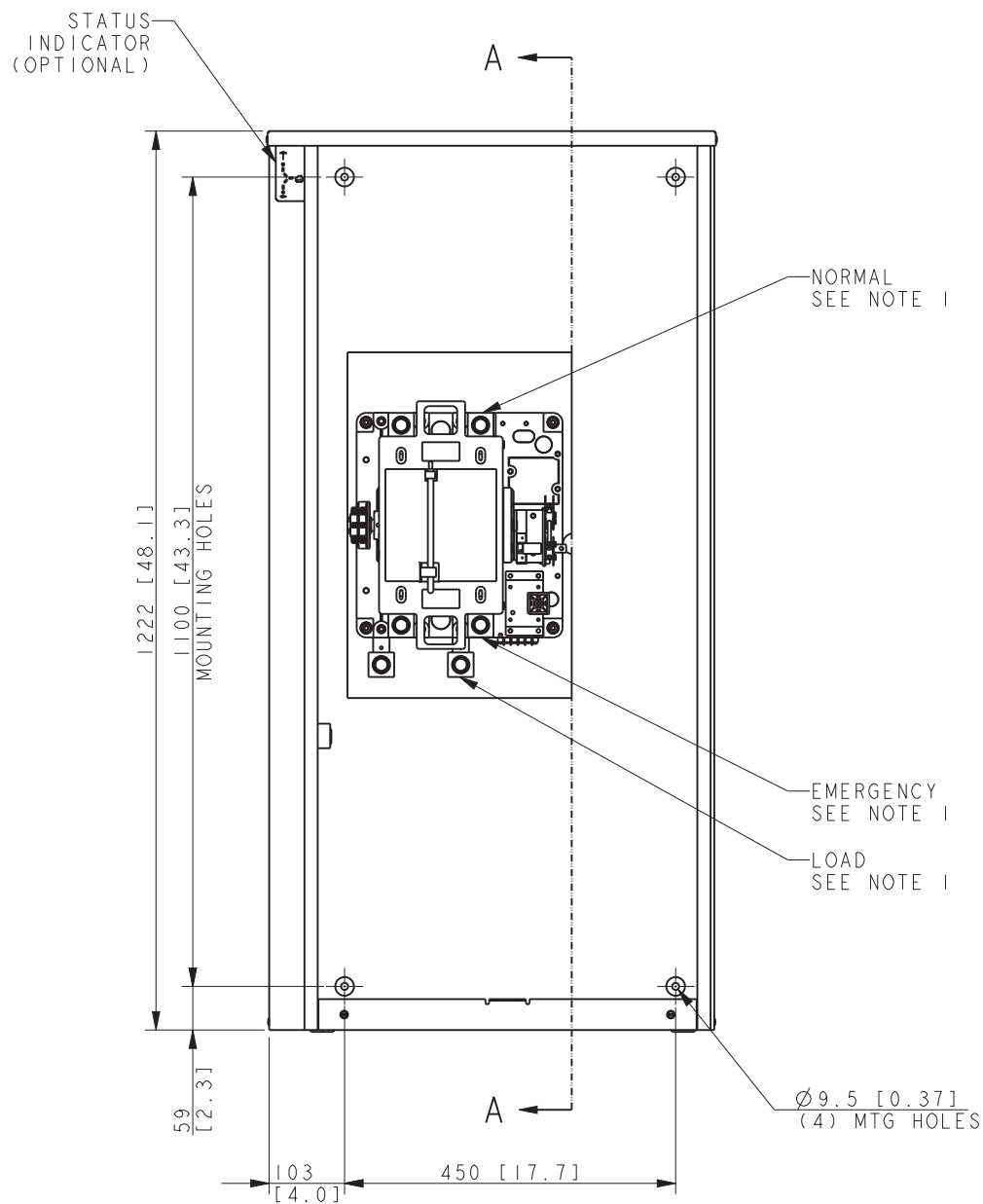
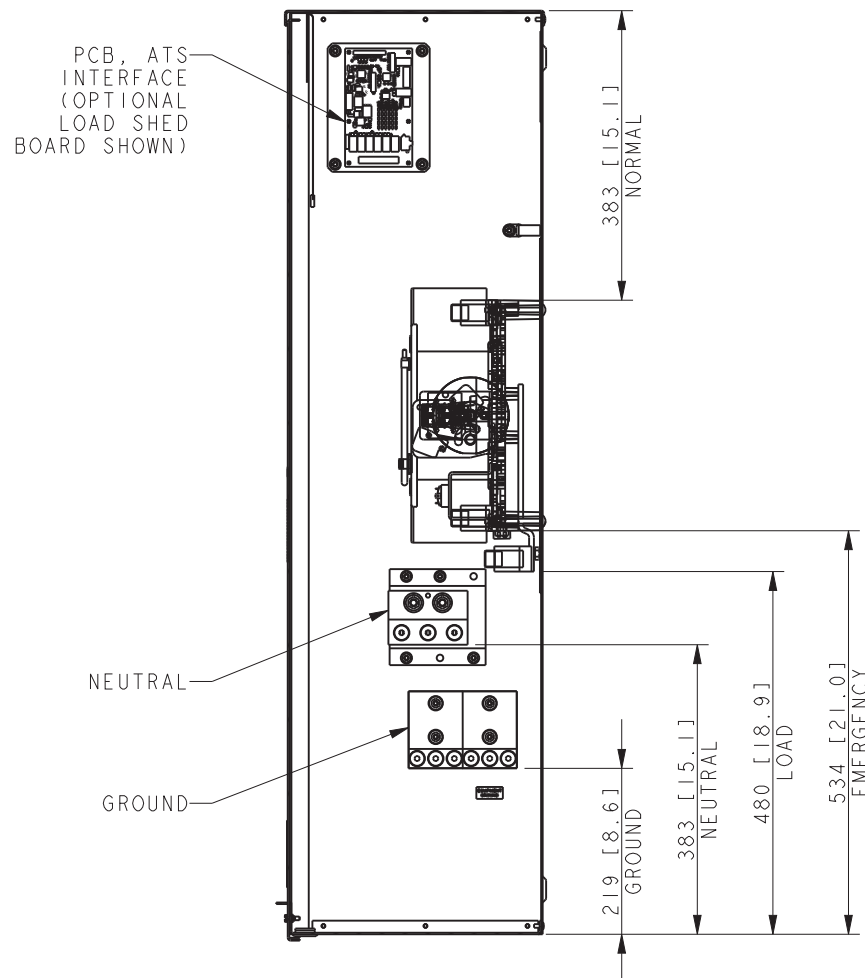


PADLOCK HASP

SCREW TYPE TERMINALS FOR EXTERNAL POWER CONNECTION			
SWITCH RATING (AMPS)	RANGE OF AL-CU WIRE SIZES		
	CONTACTOR (PER PHASE)	NEUTRAL	GROUND
400	(1) #4 TO 600 KCMIL OR (2) 1/0 TO 250 KCMIL	(3) #4 TO 600 KCMIL OR (6) 1/0 TO 250 KCMIL	(6) #6 TO 3/0
TORQUE	UP to 250 KCMIL 275 lbf-in (31.1 Nm) 300 to 600 KCMIL 500 lbf-in (56.5 Nm)	UP to 250 KCMIL 275 lbf-in (31.1 Nm) 300 to 600 KCMIL 500 lbf-in (56.5 Nm)	275 lbf-in (31.1 Nm)



400A CONTACTOR
(COVER REMOVED TO SHOW DETAIL)
(SINGLE PHASE UNIT SHOWN)



SECTION A-A



NOTE:
1. SINGLE PHASE UNIT WILL HAVE 'NORMAL' ON TOP AND 'EMERGENCY' & 'LOAD' ON THE BOTTOM. THREE PHASE UNIT WILL HAVE 'EMERGENCY' & 'LOAD' ON TOP AND 'NORMAL' ON THE BOTTOM.

DIMENSION IN [] ARE INCHES.

FINISH: ANSI 49 GRAY

REFER TO OPERATOR'S MANUAL PRIOR TO INSTALLATION AND OPERATION OF UNIT.

APPROXIMATE WEIGHT 2P = 100 LB
APPROXIMATE WEIGHT 3P = 104 LB

400A 1 Ph (2P) & 3 Ph (3P)
MODEL RXT
TYPE 3R ENCLOSURE

REV	DATE	ON COMPOSITE DWGS. SEE PART NO. FOR REVISION LEVEL	BY	UNLESS OTHERWISE SPECIFIED - 1) DIMENSIONS ARE IN MILLIMETERS 2) TOLERANCES ARE:
-	2-19-21	NEW DRAWING [CT210077]	ZHK	X, XX ± 0.25 X, X ± 1.0 X ± 1.5
A	8-17-21	(B-C-6) ADDED SEE NOTE 1; (A-B-1-2) ADDED NOTE 1; (A-7-8) ADDED NOTE; [CT214083]	ZHK	ANGLES ± 0° 30' SURFACE FINISH MAX.
				THIRD ANGLE PROJECTION
				APPROVALS
				DATE
				DRAWN ZHK 1-4-21
				CHECKED MTL 1-4-21
				APPROVED MTL 1-4-21

KOHLER CO.	METRIC	PRO-E
POWER SYSTEMS, KOHLER, WI 53044 U.S.A.		
THIS DRAWING IN DESIGN AND DETAIL IS KOHLER CO. PROPERTY AND MUST NOT BE USED EXCEPT IN CONNECTION WITH KOHLER CO. WORK. ALL RIGHTS OF DESIGN OR INVENTION ARE RESERVED.		
TITLE		
DIMENSION PRINT		
SCALE 0.18	CAD NO.	SHEET 1 of 1
DWG NO. ADV-9756		D