

BEFORE YOU BEGIN

开始之前

- Congratulation on your purchase of this high quality Bathroom Accessory. Before proceeding with the installation, please carefully read this installation instruction in order to ensure proper care and assembly of this accessory.
- Please keep this installation instruction for future reference.

- 首先恭喜您购买到了高档的卫浴产品，为了使您正确保护和组装产品，在您安装之前请仔细阅读此说明书。
- 请保留此说明书以备参考。



Prior to drilling into walls, check there are no hidden electrical wires, cables or water supply pipes with the aid of an electronic detector. If you use power tools do not forget:

1. Wear eye protection.
2. Unplug equipment after use.



警示：在钻孔之前，请借助电子探测仪确认墙内是否有电源线，通讯光缆或者水管之类的东西。如果使用电钻的话请勿忘记以下两点：

1. 请戴上防护镜。
2. 用完设备后关掉电源。

ROUGHING-IN

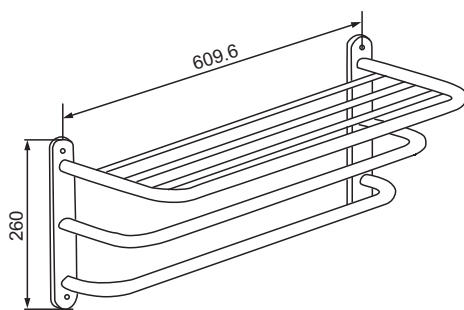
尺寸图

UNIT: mm
 单位: 毫米

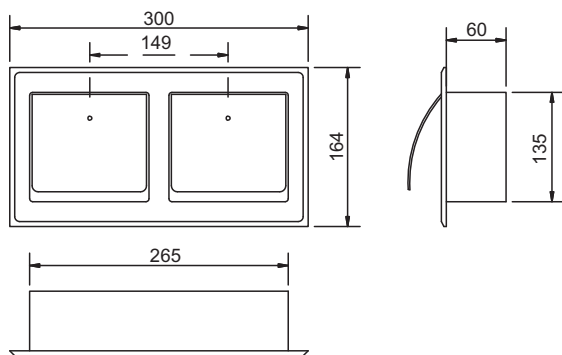


K-18394T

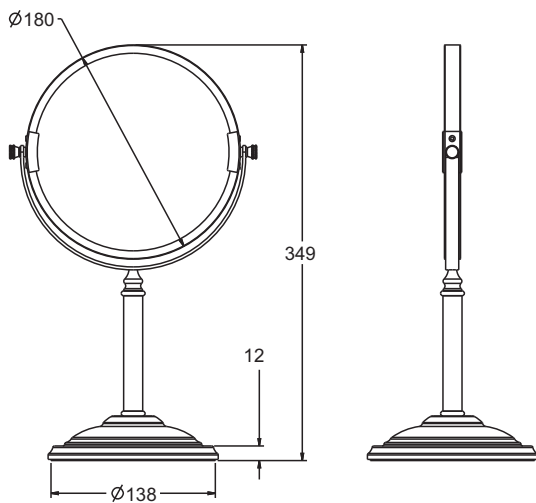
科勒(中国)投资有限公司
 上海市闸北区江场三路158号 邮编: 200436



K-18398T



K-18396T



K-18397T

INSTALLATION

安装说明

For Listed Products Excluding Tissue Paper Holder

非纸巾盒类产品

1. Mark and Drill the Pilot Holes

1. 标记和试钻孔

NOTE: There is no provision for later adjustment if the resulting pilot holes are not level.

注意: 如果钻孔位置不水平, 则本说明书中不提供后期调整的说明。

- Mark the holes on the finished surface for each wall plate. Hold the towel shelf assembly against the desired location to mark the holes.
- Confirm the marked holes are at the desired location.

- 在墙面上标记所有底座孔的位置。将浴巾架组件按在墙面标记安装位置。

- 确定所标记的钻孔位置为您想要安装的位置。

CAUTION: Risk of property damage. Apply light, even pressure when drilling through tile. Drill a clearance hole through the tile and its backing only. Use a 5mm or a #12 drill bit.

警示: 财产受损风险。 钻孔时注意照明。所钻孔仅可穿透瓷砖。使用5mm或者12#钻头。

- Select a drill bit appropriate for the wall material you will be drilling through.
- Carefully drill a hole at all marked hole locations.

- 对于不同的墙体材料选择不同的钻头。

- 在所有标记位置小心地钻孔。

2. Install the Grab Bar

2. 安装扶手

- Apply silicone sealant into the drilled holes (recommended). Insert expanded bolt into the drilled holes.
- Align the holes of the wall plates with the drilled holes on the wall.
- Secure the wall plate to the finished surface with the screws provided. Do not overtighten.
- Slide the escutcheons on the grab bar assembly over the wall plates and tighten by hand.

- 在已钻孔内涂上密封硅胶(推荐), 并塞入膨胀螺钉。

- 将底座孔和墙体上所钻孔对齐。

- 使用附带的螺丝将底座完全固定在墙面。

- 将装饰盖套入扶手组件, 置于底座上方, 并旋紧。

3. Install the Towel Shelf

3. 安装浴巾架

- Apply silicone sealant into the drilled holes (recommended). Insert expanded bolt into the drilled holes.
- Align the holes of the wall plates with the drilled holes on the wall.
- Secure the wall plate to the finished surface with the screws and washers provided. Do not overtighten.
- Slide the escutcheons on the towel shelf assembly over the wall plates. Press into place.

- 在已钻孔内涂上密封硅胶(推荐), 并塞入膨胀螺钉。

- 将底座孔和墙体上所钻孔对齐。

- 使用附带的螺丝和垫片将底座完全固定在墙面。

- 将装饰盖旋在垫片上。

For Tissue Paper Holder

- Preserve and cut a groove with the dimension of 275mm x 145mm x 70mm at your desired installation place.
- Put the tissue paper holder into the groove and adjust it to level and mark the position of two installation holes onto the wall. Take out the tissue paper holder.
- Drill holes with 6mm bit at the marked place and insert expanded bolt into the drilled holes.
- Apply silicone sealant around rim of the tissue paper holder back.
- Put the tissue paper holder back into the groove and adjust it to level and thread screws into expanded bolt.
- Slide tissue paper roll onto the scroll and place the whole assembly into the tissue paper holder.

纸巾盒

- 在希望安装纸巾盒的位置预留或凿开一个275X145X70毫米的凹槽。
- 将纸巾盒放进凹槽中，调水平，并标记出两个安装孔的位置；然后取出纸巾盒。
- 用6mm钻头在标记处钻孔，在孔中打入硅胶，并塞进膨胀螺钉。
- 在纸巾盒背面边缘处涂上硅胶。
- 将纸巾盒放进凹槽中，调水平，将螺钉打进膨胀螺栓中。
- 将卷轴插进卷纸中，一起放进纸巾盒内。

CARING FOR YOUR PRODUCTS

保养须知

The accessories should be washed with warm water and a soft cloth or sponge. Do not use abrasive cleaners or cleaners containing bleach.

为了更好地保养本品，请您用温水和软毛巾(或海绵)擦拭，含有腐蚀剂或漂白剂的洗洁剂对本品有害。