

BEFORE YOU BEGIN

开始之前

- Congratulation on your purchase of this high quality Bathroom Accessory. Before proceeding with the installation, please carefully read this installation instruction in order to ensure proper care and assembly of this accessory.

- 首先恭喜您购买到了高档的卫浴产品，为了使您正确保护和组装产品，在您安装之前请仔细阅读此说明书。

- Please keep this installation instruction for

- 请保留此说明书以备参考。



Prior to drilling into walls, check there are no hidden electrical wires, cables or water supply pipes with the aid of an, electronic detector. If you use power tools do not forget:

1. Wear eye protection.
2. Unplug equipment after use.



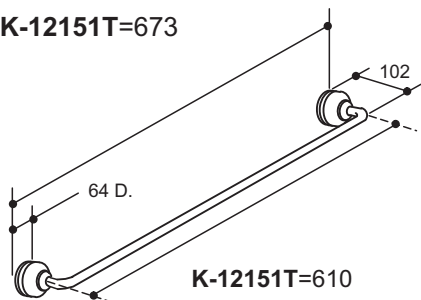
警示：在钻孔之前，请借助电子探测仪确认墙内是否有电源线，通讯光缆或者水管之类的东西。如果使用电钻的话请忘记以下两点：

1. 请戴上防护镜。
2. 用完设备后关掉电源。

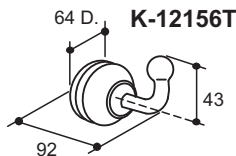
ROUGHING-IN

尺寸图

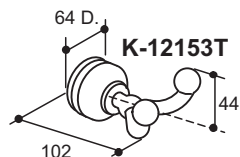
K-12151T=673



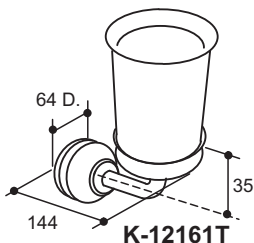
K-12151T=610



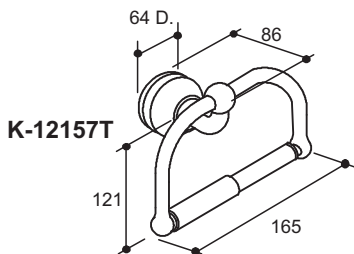
K-12156T



K-12153T



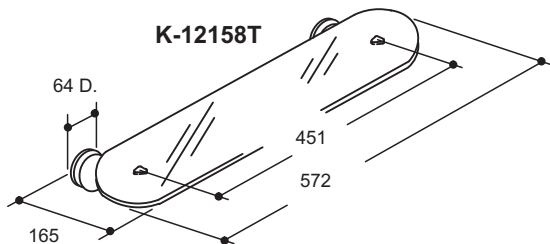
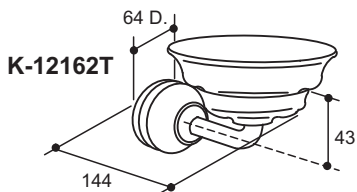
K-12161T



K-12157T

UNIT: mm
单位：毫米

上海科勒国际贸易有限公司
上海市外高桥保税区新灵路106号2号楼324室 邮编：200131



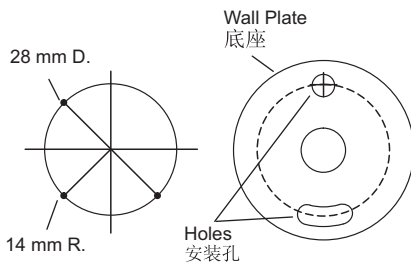
INSTALLATION

安装步骤

1. Prepare the Site — Wall Plate(s)

- Determine the desired mounting location.
 - Mark the vertical and horizontal center lines for the accessory to be installed. Consult the roughing-in diagrams to determine the dimensions.
 - When installing multiple-post accessories, measure the accessories so you can provide the required distance between the center points.
 - Use a level to ensure that all center points are level.
- 确定希望安装的位置。
 - 在墙上标注要安装配件的垂直和水平中线。根据尺寸图确认配件尺寸。
 - 安装多支架配件时，测量配件尺寸，确保支架中心点之间的距离足够长。
 - 使用水平尺确保所有安装中心点处于水平状态。

Wall Plate Hole Locations 底座安装孔位置



2. Mark and Drill the Pilot Holes

- Mark the pilot hole locations vertically 14mm above and below the center point or center points.
- Vertically align the holes on each wall plate.
- If the installation requires multiple posts, confirm that the center points are even using a level.

NOTE: There is no provision for later adjustment if the center points and resulting pilot holes for multiple post accessories are not level.

- Select a drill and 5/16" drill bit that are appropriate for the wall material you will be drilling through.
- Carefully drill a 5/16" hole at all marked pilot hole locations.

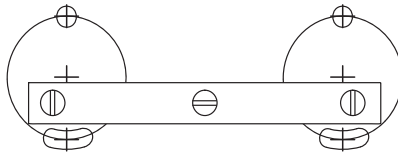
2. 标记及钻出试装孔

- 在安装中心点竖直向上和向下14mm处标记试装孔。
- 确保每个底座上的上下试装孔位于同一竖直线上。
- 如果安装需要多个支架，使用水平仪确认中心点处于水平。

注：如果多支架配件的中心点和之后的试装孔不水平，则本说明书中不提供后期调整的说明。

- 选择电钻及8mm钻头。
- 在所有标记的试装孔的位置小心的钻直径为8mm的小孔。

Multiple-Post Accessory Center-to-Center Points 多支架配件支架中心点间距



Wall Plate Hole Locations 底座安装孔位置

3. Anchor Installation

NOTE: You may need to disassemble some of the accessories. Some accessories will be packed with the wall plate installed in the post. Loosen the setscrew and remove the wall plate if needed.

- Insert all wall anchors into the pre-drilled mounting holes.
- With a hammer, carefully tap each wall anchor until they are flush with the finished surface.

3. 膨胀螺丝的安装

注：您可能需要拆开一些配件。一些配件是与安装在支架内的底座包装在一起的。如有上述情况，松开固定螺丝，并移除底座。

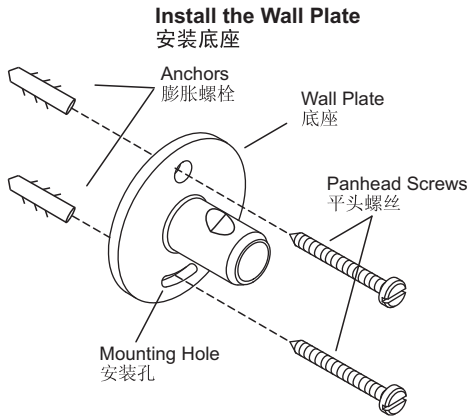
- 将所有膨胀螺栓插入预先钻好的安装孔中。
- 用锤子敲打膨胀螺栓直到其完全进入墙面。

4. Wall Plate Installation

- Orient the wall plate with the large slotted mounting hole down and the smaller hole over the higher anchor.
- Secure the wall plate with the supplied panhead screws.
- Repeat at each wall plate location.

4. 底座的安装

- 调整底座的位置，确保有狭长槽的大安装孔位于下方，有小孔的小安装孔处于上方。
- 用自带的平头螺丝紧固底座。
- 重复以上操作固定每一个底座。



5. Install the Tissue Holder

- Start a setscrew into the setscrew hole in each post. Do not thread fully into the post.
- Position the escutcheons, if included, onto the wall plates.

5. 安装卫生纸架

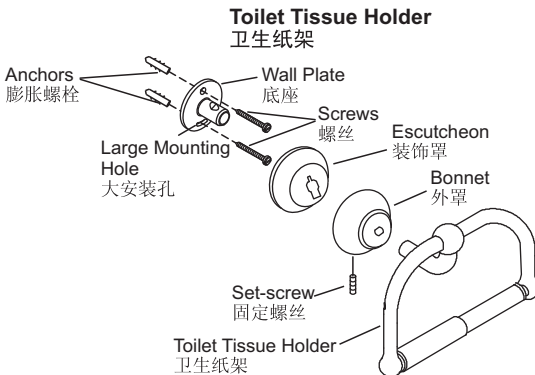
- 将固定螺丝插入支架上的固定螺丝孔中。请勿完全旋紧。
- 如果有装饰罩的话，将装饰罩置于底座上。

NOTE: The escutcheons are loose until the posts are in place and the setscrews are tightened.

注：支架安装到位后，再旋紧装饰罩，然后紧固固定螺丝。

- Install the tissue holder post onto the wall plate.
- Tighten each setscrew.
- Insert the spindle into the tissue holder assembly.

- 在底座上安装卫生纸架。
- 紧固每个固定螺丝。
- 将卫生纸架的转轴插入组件。



6. Install the Robe Hook

- Start a setscrew into each post. Do not thread fully into the post.
- If included, slide an escutcheon onto the wall plate.

NOTE: The escutcheon sits loosely until the post is in place and the setscrew is tightened.

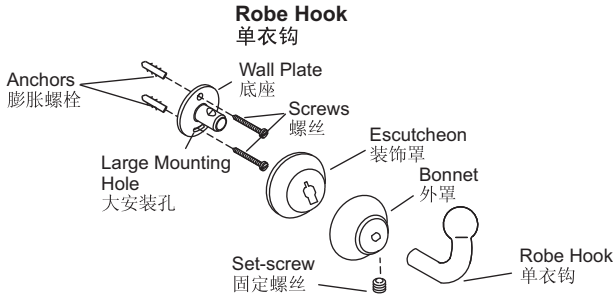
- Align the robe hook assembly over the wall plate.
- Tighten the setscrew with a hex wrench.

6. 安装单衣钩

- 将固定螺丝插入支架上的固定螺丝孔中。请勿完全旋紧。
- 如果有装饰罩的话，将装饰罩滑入底座上。

注：支架安装到位后，再旋紧装饰罩，然后紧固固定螺丝。

- 将单衣钩组件与底座对齐。
- 用六角扳手紧固固定螺丝。



7. Install the Towel Bar

- Start a setscrew into each post. Do not thread fully into the post.
- If included, place an escutcheon on both the left and right side wall plates.

NOTE: The escutcheons are loose until the posts are in place and the setscrews are tightened.

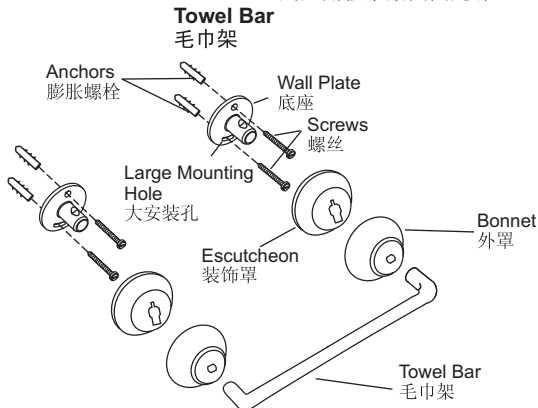
- Align the towel bar assembly over the wall plates. Slide the assembly onto the wall plates.
- Tighten the setscrews with a hex wrench.

7. 安装毛巾架

- 将固定螺丝插入支架上的固定螺丝孔中。请勿完全旋紧。
- 如果有装饰罩的话，将装饰罩放入左右两侧的底座上。

注：支架安装到位后，再旋紧装饰罩，然后紧固固定螺丝。

- 确保毛巾架水平，平行于两个底座之间的线段。将组件滑入底座。
- 用六角扳手紧固固定螺丝。



8. Install the Soap Dish

- Start a setscrew into the post. Do not thread fully into the post.
- If included, place an escutcheon on the wall plate.

NOTE: The escutcheon sits loosely until the post is in place and the setscrew is tightened.

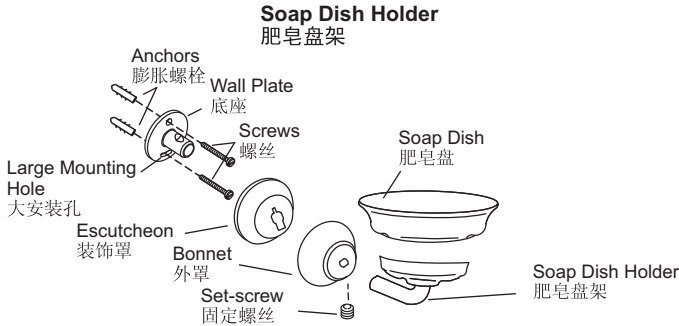
- Align the soap dish assembly over the wall plate.
- Tighten the setscrew with a hex wrench.

8. 安装肥皂盘架

- 将固定螺丝插入支架上的固定螺丝孔中。请勿完全旋紧。
- 如果有装饰罩的话，将装饰罩置于底座上。

注：支架安装到位后，再旋紧装饰罩，然后紧固固定螺丝。

- 将肥皂盘架组件与底座对齐。
- 用六角扳手紧固固定螺丝。



9. Install the Tumbler Holder

- Start a setscrew into the post. Do not thread fully into the post.
- If included, place an escutcheon on the wall plate.

NOTE: The escutcheon sits loosely until the post is in place and the setscrew is tightened.

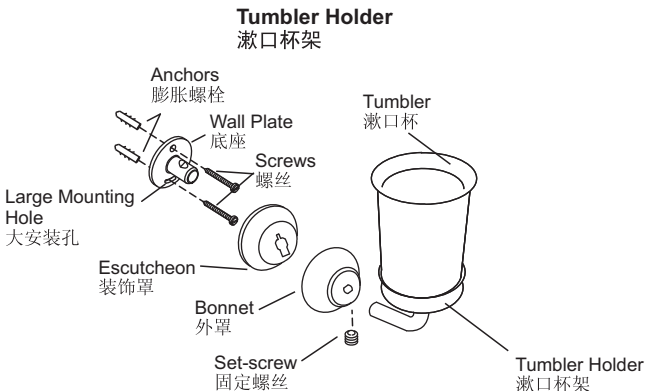
- Align the tumbler holder assembly over the wall plate.
- Tighten the setscrew with a hex wrench.
- Insert the glass tumbler into the holder.

9. 安装漱口杯架

- 将固定螺丝插入支架上的固定螺丝孔中。请勿完全旋紧。
- 如果有装饰罩的话，将装饰罩置于底座上。

注：支架安装到位后，再旋紧装饰罩，然后紧固固定螺丝。

- 将漱口杯架组件与底座对齐。
- 用六角扳手紧固固定螺丝。
- 将玻璃漱口杯底插入支架。



10. Install the Glass Shelf

- Start a setscrew into each post.
- If included, place an escutcheon on the wall plate.

NOTE: The escutcheon sits loosely until the post is in place and the setscrew is tightened.

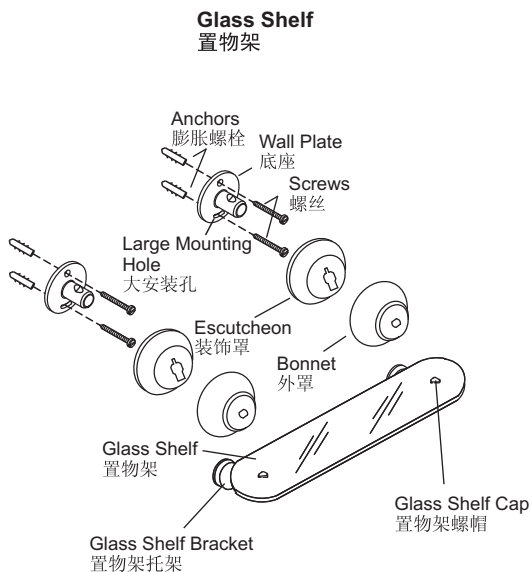
- Align a post over a wall plate. Repeat with the other post.
- Loosely secure both posts with the setscrews.
- Carefully place the shelf into position in the brackets.
- Adjust the bracket assembly alignment as needed.
- Tighten the setscrews on both the bracket assemblies and the posts.

10. 安装置物架

- 将固定螺丝插入支架上的固定螺丝孔中。请勿完全旋紧。
- 如果有装饰罩的话，将装饰罩置于底座上。

注：支架安装到位后，再旋紧装饰罩，然后紧固固定螺丝。

- 将置物架的一个支架与底座对齐。对另一支架进行相同步骤。
- 松松的用固定螺丝紧固两侧的支架。
- 轻轻的将置物架放在托架上。
- 根据需要调整托架组件。
- 用固定螺丝固定两侧的托架组件和支架。



CARING FOR YOUR PRODUCTS

保养须知

The accessories should be washed with warm water and a soft cloth or sponge. Do not use abrasive cleaners or cleaners containing bleach.

为了更好地保养本品，请您用温水和软毛巾(或海绵)擦拭，含有腐蚀性或漂白剂的洗洁剂对本品有害。