

### BEFORE YOU BEGIN

- Please read these instructions carefully to familiarize yourself with the required tools, materials, and installation sequences. Follow the sections that pertain to your particular installation. This will help you avoid costly mistakes. In addition to proper installation, read all operating and safety instructions.
- All information in these instructions is based upon the latest product information available at the time of publication. Kohler China reserves the right to make changes in product characteristics, packaging, or availability at any time without notice.
- These instructions contain important care, cleaning, and warranty information-**please leave instructions for the consumer.**
- Before installation carefully inspect the new fixture for any signs of damage.
- This product complies with FDA 21CFR 177.2600.

### 安装之前

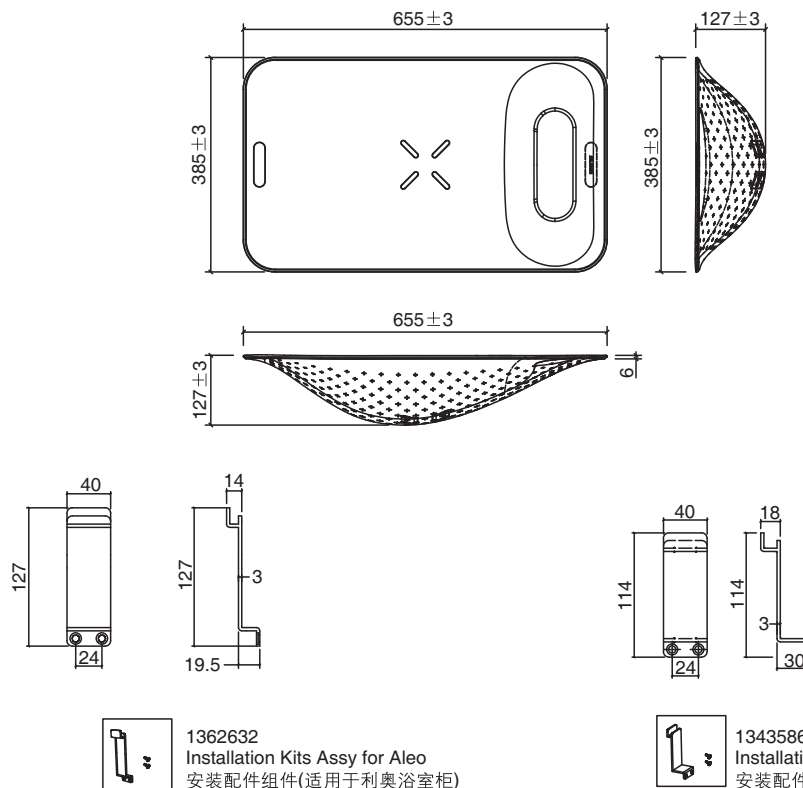
- 请仔细阅读本指引，以便熟悉所需工具、物料及安装程序。请遵照适用的章节来安装本产品，以免安装失当导致不必要的损失。除了有关正确的安装方法之外，还务请详阅所有操作及安全指引。
- 本指引所载之一切资料，均以印刷时所有之最新产品情况为基础，科勒中国保留权利随时更改产品特性、包装或供应情况，恕不另行通知。
- 本指引也包含了有关保养、清洁及担保等重要资料-请交予用户保存。
- 安装之前，仔细检查新产品是否有损伤。
- 本产品符合FDA 21CFR 177.2600关于食品级材料测试要求。

### ROUGHING-IN

### 尺寸图

Reference Value  
 参考值

UNIT : mm  
 单位: 毫米



Kohler reserves the right to change marked dimensions without prior notice.  
 科勒公司保留随时变更图中标示尺寸的权利，无需另行通知。

KOHLER CHINA INVESTMENT CO., LTD NO.158, JIANG CHANG SAN ROAD,  
 JING'AN DISTRICT, SHANGHAI, PRC POST CODE: 200436  
 科勒(中国)投资有限公司 上海市静安区江场三路158号 邮编: 200436

## INSTALLATION INSTRUCTION

## 安装示意

1. Unpack the package and take out the hook and screw assembly. Fix the hook onto the top frame on the cabinet side with the screws and hexagon wrench supplied (make sure it is firmly fixed). See Fig.1.

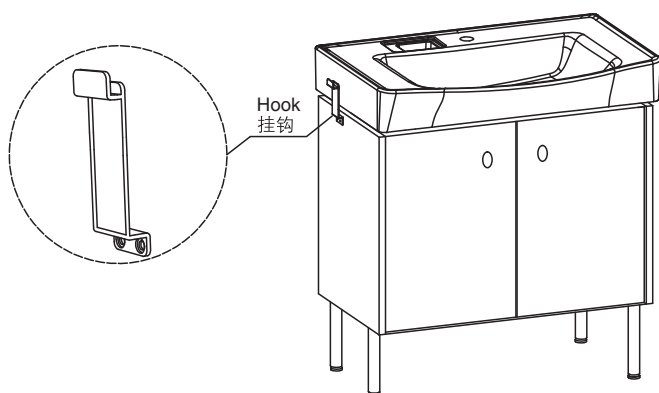
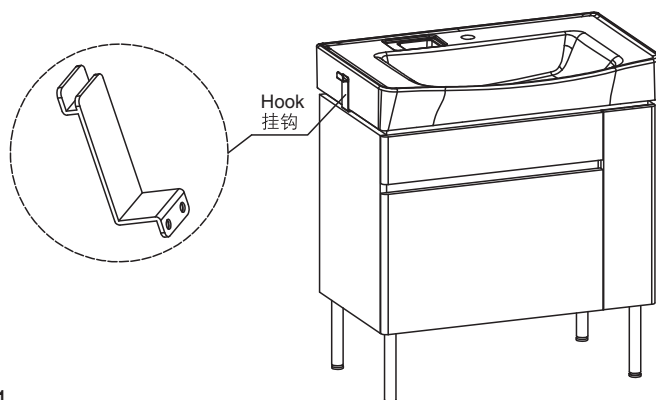


Fig.1  
图1

1. 先将婴儿澡垫包装打开，将里面的挂钩及螺钉配件取出，使用配带的六角小扳手将挂钩用螺钉固定到脸盆柜侧面的顶框上（注意安装要牢固，不要歪斜）。如图1所示。



2. When using the mat, please keep the basin drain hole open. Put the mat into the basin (make sure the mat is properly placed) and adjust the water temperature. Hang the mat back onto the hook after using it. See Fig.2.

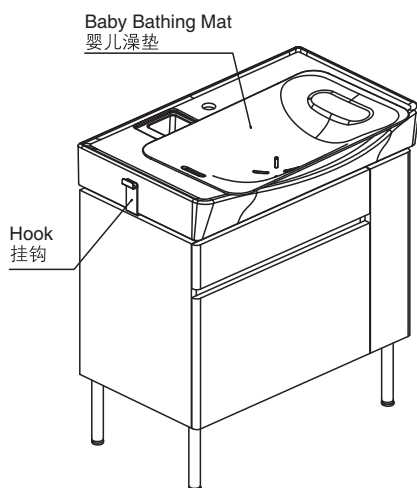
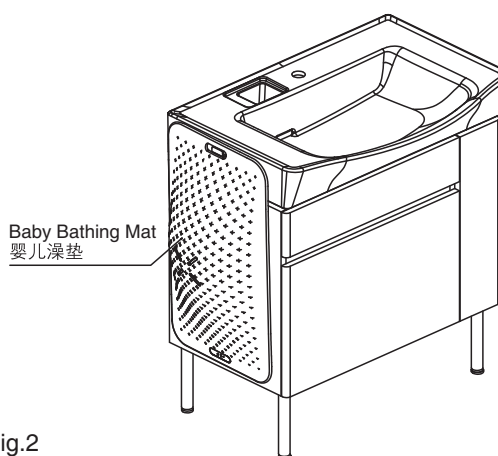


Fig.2  
图2

2. 使用婴儿澡垫时，需要将脸盆出水口打开，然后将婴儿澡垫放入脸盆内（注意前后左右边角要放正、放平），调节好龙头的水温，然后才使用。用完后将婴儿澡垫放回脸盆柜侧面的挂钩上。如图2所示。



## USER MAINTENANCE

## 日常维护

**⚠ WARNING! Risk of product damage.**

**⚠ 警告！小心产品受损。**

1. Many cleansers contain abrasive and chemical substance which is not suitable for cleaning stainless steel, enamel, plating or plastic products. You may use mild cleansers or soaps to clean the surfaces. Wipe any splashes of cleaner solutions from the surface with clean soft cloth.
2. Maintain ventilation in the bathroom, and separate the dry area from the damp one if conditions permit. Try to open the door and windows of the bathroom and maintain good ventilation.
3. Your new vinyl baby bathing mat can be routinely cleaned with mild soap and water. Remove stubborn stains with cleaning products recommended for vinyl.
4. Periodically use a vinyl treatment product to rejuvenate the appearance of the vinyl skin.

1. 许多清洁剂都含有研磨剂及化学物质，不可用于清洁不锈钢、搪瓷、镀层或塑料制品。这些表面须使用温和的清洁剂或皂液进行清洁，将残余洗涤剂洗干净，然后用干净的软布擦干。
2. 卫生间请保持良好的通风状态，有条件的可以干、湿分离，平常尽量保持浴室空气畅通，养成开窗开门的习惯。
3. 可以用水和中性肥皂清洗您的婴儿澡垫。请使用用于清除聚乙烯产品的洗涤剂清除顽固污渍。
4. 请定期清洁您的婴儿澡垫表面。