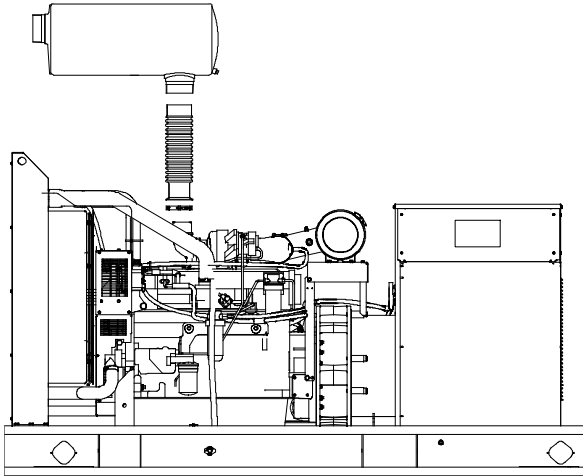


Silencers and Exhaust Systems



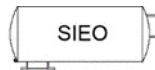
Kohler Co. offers silencers rated for hospital, critical, residential, and industrial applications and stainless steel flexible exhaust connectors for unoused generator sets. The accessories described in this spec sheet apply to open units unless otherwise stated. These silencers withstand exhaust flow pressure and temperature without creating excessive engine backpressure.

Silencer Type	Noise Reduction dB(A)	Ambient Noise Level	Silencing Requirement
Hospital	32-42	Low	Very High
Critical	25-35	Low	High
Residential	18-25	Low-Medium	Medium
Industrial	12-18	Medium-High	Low-Medium

Legend

Use the information below for identifying the exhaust system components shown in the illustrations on the following pages.

Side Inlet End Outlet (SIEO)



End Inlet End Outlet (EIEO)



Flex Exhaust



Flex Exhaust (wye)



Weld Flange with Gaskets



Silencer and Exhaust System Selection

Select the silencer based on the required degree of exhaust noise reduction using the four silencer ratings in the table above. In addition, select the silencer inlet/ outlet type using the legend descriptions.

Note:

Some generator set models may not offer all exhaust system combinations.

Use the illustrations on the following pages to select the available silencer type and exhaust system configuration best suited for your application. Consult with your authorized distributor/dealer for silencer and component kit numbers and for silencer dimensions.

Backpressure Considerations

Refer to the generator set spec sheet to determine the maximum allowable exhaust backpressure. Add the backpressure produced by the silencer and exhaust piping together to determine the total exhaust system backpressure. Contact an authorized distributor/dealer to calculate backpressure in the exhaust piping. Do not exceed the maximum allowable backpressure.

Table of Contents

Model	Page	
Gaseous Fuel		
25REZG	4	
25REZGB		
30REZG		
30REZGB		
40REZG		
KG40		
45REZG		
KG45		
50REZGB		
50REZGC		
KG50		
60REZGB		
KG60		
KG80		
KG100		
KG125		
KG150		
KG180		
KG200		
80REZGD		5
80RZG		
80RZGD		
100REZG		
100REZGD		
100RZGD		
125REZGB		
125REZGC		
125RZGC		
150REZGB		
150REZGC		
150RZGC		
180REZXB		
180RZXB		
200REZXB		
200RZXB		
250REZXB		
250RZXB		
300REZXB		
300REZXC		
300RZXB		
300RZXD		
300REZXD		
350REZXB		
350RZXB		
350RZXD		
350REZXD		
400REZXB		
400RZXB		
400RZXD		
400REZXD		
450REZXB		
450REZXD		
500REZXD		
500REZK		
750REZK		
1000REZK		

Model	Page
Diesel Fuel	
15REOZK	6
20REOZJB	
20REOZJC	
20REOZK	
30REOZJB	
30REOZJC	
30REOZK	
40REOZJB	
40REOZJC	
40REOZJE	
40REOZK	6
50REOZJB	7
50REOZJD	
50REOZJE	6
50REOZK	
60REOZJB	7
60REOZK	6
60REOZJD	7
80REOZJB	
80REOZJF	
100REOZJB	
100REOZJF	8
125REOZJB	
125REOZJG	7
150REOZJB	
150REOZJF	8
180REOZJF	
180REOZJG	
200REOZJF	
230REOZJE	
250REOZJE	
275REOZJE	
300REOZDD	
300REOZJ	
350REOZJ	
350REOZJB	
350REOZJC	
350REOZJD	
400REOZJ	
400REOZJB	
400REOZJC	
400REOZJD	
450REOZDD	
500REOZJ	
500REOZJB	
500REOZJC	
500REOZVB	
500REOZVC	9
550REOZV	
550REOZVB	

Model	Page
Diesel Fuel, continued	
600REOZM	11
600REOZV	
600REOZVB	9-10
700REOZDE	
750REOZMD	11
750ROZMC	
800REOZDE	9-10
800REOZMD	11
800ROZMC	
900REOZDE	9-10
900REOZMD	11
900ROZMC	
1000REOZDE	9-10
1000REOZMD	11
1000ROZMC	
1250REOZDD	10
1250REOZMD	11
1250ROZMC	
1500REOZDD	10
1600REOZMD	11
1600ROZMC	
1750REOZDD	10
1750REOZMD	11
1820ROZMC	
2000REOZDD	10
2000REOZMD	11
2000ROZMC	
2250REOZDD	10
2500REOZDB	11
2500REOZDC	10
2800REOZDB	11
3000REOZD	
3250REOZD	
KD700	12
KD750	
KD800	
KD900	
KD1000	
KD1250	
KD1250-A	13
KD1350	
KD1500	
KD1600	
KD1750	
KD2000 (KD62V12 engine)	
KD2000 (KD62V12A engine)	
KD2250 (KD62V12 engine)	
KD2250 (KD62V12A engine)	
KD2500 (KD62V12 engine)	
KD2500 (KD62V12A engine)	

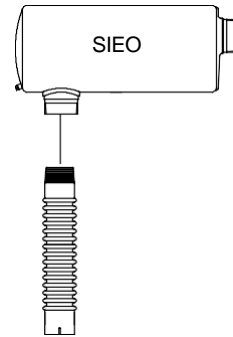
Table of Contents

Model	Page
Diesel Fuel, continued	
KD2800 (KD83V16 and KD83V16A engine)	14
KD3000 (KD83V16 and KD83V16A engine)	
KD3250 (KD83V16 and KD83V16A engine)	
KD3500	
KD4000	

Gaseous Fuel

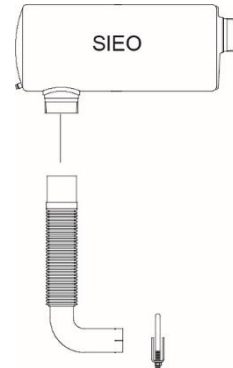
25-45REZG, 25/30/50REZGB, 50REZGC, and KG40-60

Exhaust System Kits	Size, In/Out
Flex Exhaust *	—
Critical Silencer SIEO	3 NPT
* Kit includes the exhaust clamp.	



KG80, KG100, and KG125

Exhaust System Kits	Size, In/Out
Flex Exhaust *	—
Critical Silencer SIEO	4 NPT
* Kit includes the exhaust clamp.	



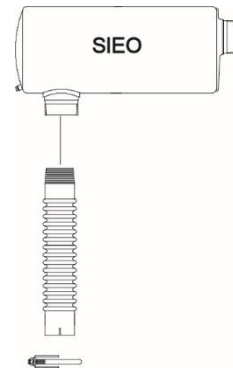
KG150, KG180, and KG200

Exhaust System Kits	Size, In/Out
Critical Silencer SIEO	4 NPT
Note: Flex exhaust included with engine.	



60REZGB

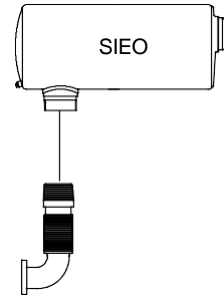
Exhaust System Kits	Size, In/Out
Flex Exhaust, 3 NPT or 4 NPT *	—
Critical Silencer SIEO (Standby)	3 NPT
Critical Silencer SIEO (Prime Power)	4 NPT
* Kit includes the exhaust clamp	



Gaseous Fuel

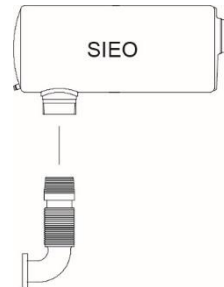
100-150REZG, 125/150REZGB, 125/150REZGC, 80/100REZGD, 80RZG, 125/150RZGC, and 80/100RZGD

Exhaust System Kits	Size, In/Out
Flex Exhaust *	—
Critical Silencer SIEO	4 NPT
* Hardware and gasket included with engine.	



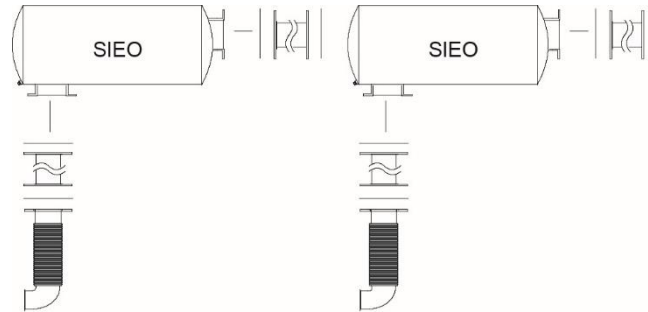
180/200REZXB/RZXB

Exhaust System Kits	Size, In/Out
Flex Exhaust *	—
Critical Silencer SIEO	4 NPT
* Hardware and gasket included with engine.	



250-400REZXB/RZXB, 450REZXB, 300REZXC, 300-500REZXD and 300-400RZXD

Exhaust System Kits	No. of Kits Required	Qty. in Kit	Size, In/Out
Flex Exhaust 5 in.*	1	2	—
Weld Flange 5 in.†	2	2	—
Critical Silencer SIEO	2	1	5 NPT
* Hardware and gasket included with engine.			
† One kit includes (2) exhaust flanges, (3) gaskets, and the mounting hardware. See Weld Flange Kits for additional data.			
Note: Two flex exhausts and two silencers are required.			



Qty. (2) Required

500-1000REZK

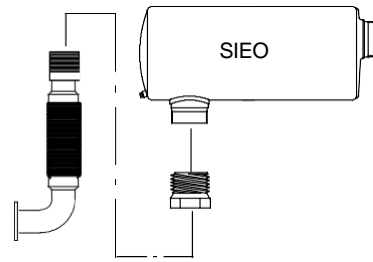
Exhaust System Kits	Qty. in Kit	Size, In/Out
500REZK		
Critical Silencer SIEO	1	10 in.
750REZK		
Critical Silencer SIEO	1	12 in.
1000REZK		
Critical Silencer SIEO	1	12 in.
Note: Flex exhaust included with engine.		



Diesel Fuel

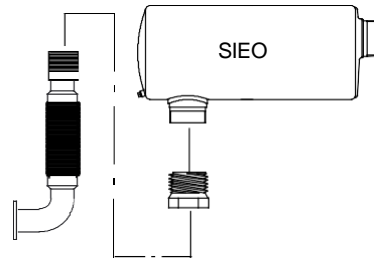
15-30REOZK

Exhaust System Kits (Critical Silencer)	Size, In/Out
Flex Exhaust 2 NPT	—
Reducer Bushing 2 NPTF/3 NPTF	—
Critical Silencer SIEO	3 NPT



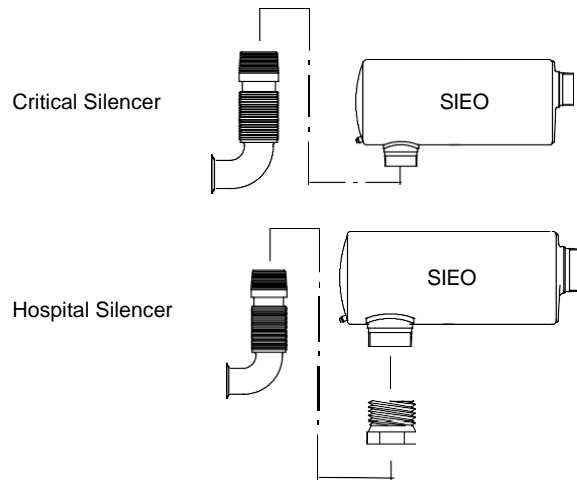
40-60REOZK

Exhaust System Kits (Critical Silencer)	Size, In/Out
Flex Exhaust 2.5 NPT	—
Reducer Bushing 2.5 NPTF/4 NPTF	—
Critical Silencer SIEO	4 NPT



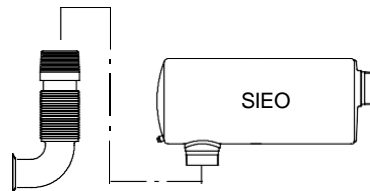
20-40REOZJB

Exhaust System Kits (Critical Silencer)	Size, In/Out
Flex Exhaust 3 NPT *	—
Critical Silencer SIEO	3 NPT
Exhaust System Kits (Hospital Silencer)	
Flex Exhaust 3 NPT *	—
Reducer Bushing 3 NPTF/4 NPTF	—
Hospital Silencer SIEO	4 NPT
* Kit includes the exhaust clamp.	



20/30REOZJC

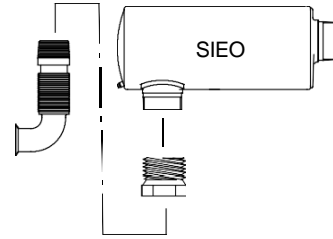
Exhaust System Kits (Critical Silencer)	Size, In/Out
Flex Exhaust 3 NPT *	—
Critical Silencer SIEO	3 NPT
* Kit includes the exhaust clamp.	



Diesel Fuel

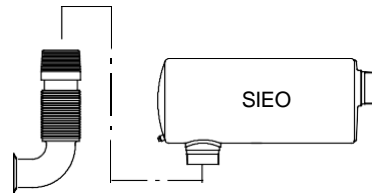
40REOZJC and 50/60REOZJD

Exhaust System Kits	Size, In/Out
Flex Exhaust 3 NPT*	—
Reducer Bushing 3 NPTF/4 NPTF	—
Critical Silencer SIEO	4 NPT
* Kit includes the exhaust clamp.	



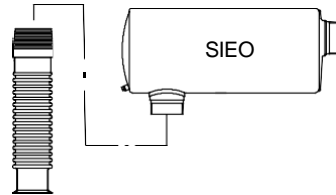
40/50REOZJE

Exhaust System Kits	Size, In/Out
Flex Exhaust 4 NPT*	—
Critical Silencer SIEO	4 NPT
* Kit includes the exhaust clamp.	



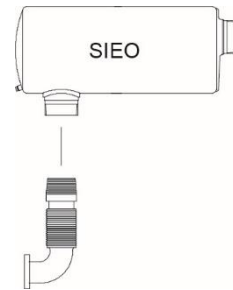
50-80REOZJB

Exhaust System Kits	Size, In/Out
Flex Exhaust 4 NPT*	—
Critical Silencer SIEO	4 NPT
Hospital Silencer SIEO	4 NPT
* Kit includes the exhaust clamp.	



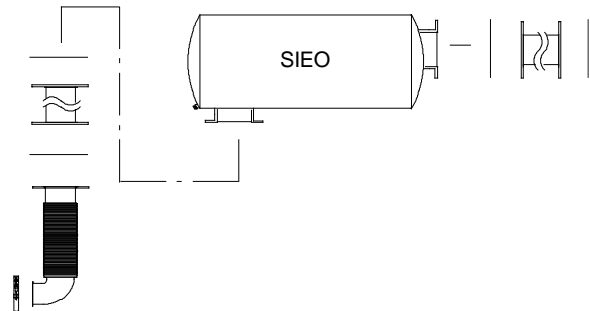
80/100REOZJF

Exhaust System Kits	Size, In/Out
Flex Exhaust 4 NPT*	—
Reducer Bushing 3 NPTF/4 NPTF	—
Hospital Silencer SIEO	4 NPT
* Kit includes the exhaust clamp.	



100/125REOZJB, 150REOZJF, and 125REOZJG

Exhaust System Kits	Qty. in Kit	Size, In/Out
Flex Exhaust 6 in. *	1	—
Weld Flange 6 in. †	2	—
Critical Silencer SIEO	1	6 in.
Hospital Silencer SIEO ‡	1	6 in.
* Kit includes the exhaust clamp.		
† One kit includes (2) exhaust flanges, (2) gaskets, and the mounting hardware. See Weld Flange Kits for additional data.		
‡ All models except 125REOZJG and 150REOZJF.		

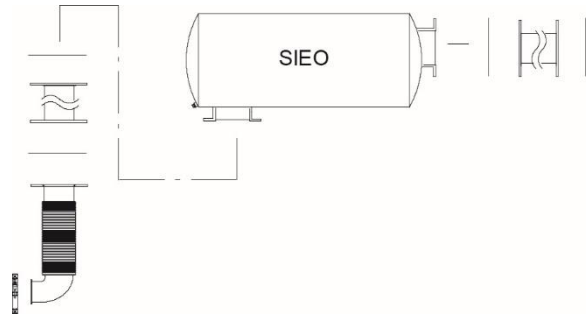


Diesel Fuel

150REOZJB

Exhaust System Kits	Qty. in Kit	Size, In/Out
Flex Exhaust 6 in. *	1	—
Weld Flange 6 in. †	2	—
Critical Silencer SIEO	1	6 in.
Hospital Silencer SIEO	1	6 in.

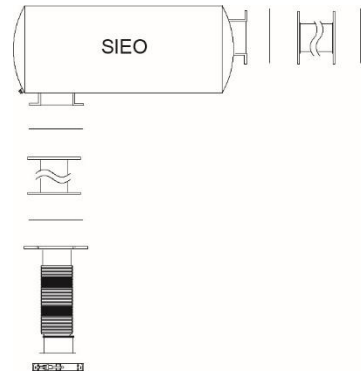
* Kit includes the exhaust clamp.
 † One kit includes (2) exhaust flanges, (2) gaskets, and the mounting hardware. See Weld Flange Kits for additional data.



230-275REOZJE, 180/200REOZJF, 180REOZJG, and 300REOZJ

Exhaust System Kits	Qty. in Kit	Size, In/Out
Flex Exhaust 6 in. *	1	—
Weld Flange 6 in. †	2	—
Critical Silencer SIEO	1	6 in.

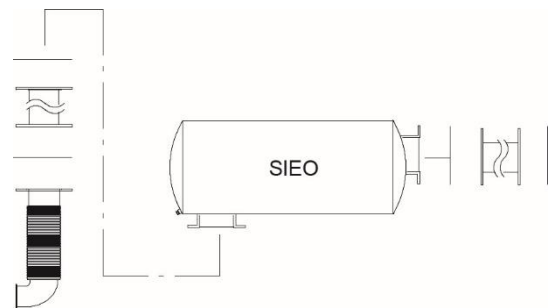
* Kit includes (1) flex tube, (1) exhaust flange, and (1) exhaust clamp.
 † One kit includes (2) exhaust flanges, (2) gaskets, and the mounting hardware. See Weld Flange Kits for additional data.



300/450REOZDD

Exhaust System Kits	Qty. in Kit	Size, In/Out
Flex Exhaust 8 in. *	1	—
Weld Flange 8 in. †	2	—
Hospital Silencer SIEO	1	8 in.
Critical Silencer SIEO	1	8 in.

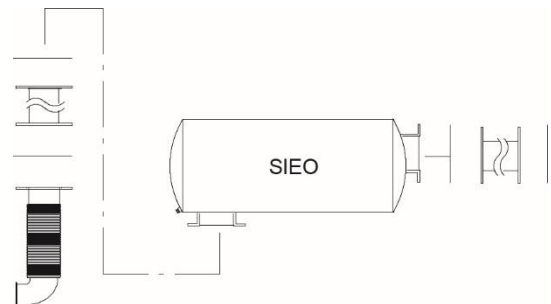
* Kit includes exhaust clamp and kits for 400REOZDC/450REOZDB include an insulation blanket.
 † One kit includes (2) exhaust flanges, (2) gaskets, and the mounting hardware. See Weld Flange Kits for additional data.



350-500REOZJ, 350-500REOZJB, 350-500REOZJC, and 350/400REOZJD

Exhaust System Kits	Qty. in Kit	Size, In/Out
Flex Exhaust 8 in. *	1	—
Weld Flange 8 in. †	2	—
Critical Silencer SIEO	1	8 in.

* Kit includes exhaust clamp and an insulation blanket.
 † One kit includes (2) exhaust flanges, (2) gaskets, and the mounting hardware. See Weld Flange Kits for additional data.

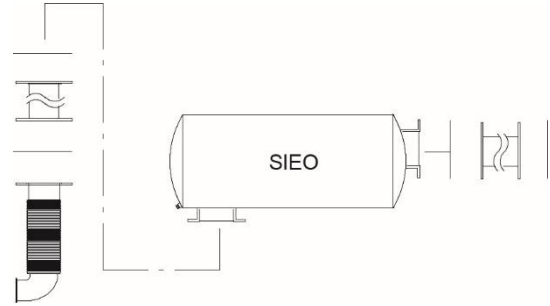


Diesel Fuel

500REOZVB and 500REOZVC

Exhaust System Kits	Qty. in Kit	Size, In/Out
Flex Exhaust 10 in. *	1	—
Weld Flange 10 in. †	2	—
Hospital Silencer SIEO	1	10 in.
Critical Silencer SIEO	1	10 in.

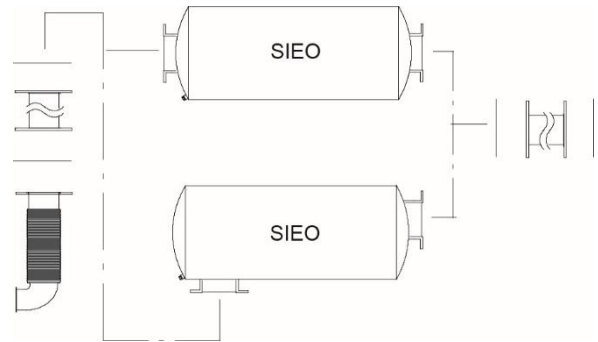
* Kit includes mounting hardware.
 † One kit includes (2) exhaust flanges, (2) gaskets, and the mounting hardware. See Weld Flange Kits for additional data.



550/600REOZV and 550/600REOZVB

Exhaust System Kits	Qty. in Kit	Size, In/Out
Flex Exhaust 10 in. *	1	—
Weld Flange 10 in. †	2	—
Hospital Silencer SIEO	1	10 in.
Critical Silencer SIEO	1	10 in.

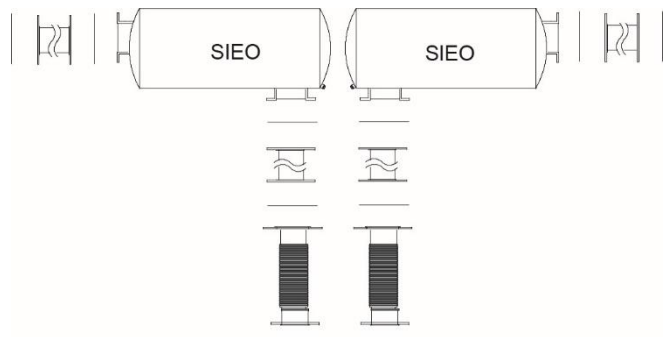
* Kit includes mounting hardware.
 † One kit includes (2) exhaust flanges, (2) gaskets, and the mounting hardware. See Weld Flange Kits for additional data.



700-1000REOZDE (with dual silencers)

700-1000REOZDE				
Exhaust System Kits	No. of Kits Required	Qty. in Kit	Size, In/Out	
			50 Hz	60 Hz
Flex Exhaust 8 in. *	1	2	—	—
Weld Flange 10 in. †	—	2	—	—
Hospital Silencer SIEO	2	1	8 in.	8 in.
Critical Silencer SIEO	2	1	8 in.	8 in.

* Kit includes (2) flex tubes, (2) gaskets, and mounting hardware.
 † One kit includes (2) exhaust flanges, (2) gaskets, and the mounting hardware. See Weld Flange Kits for additional data.

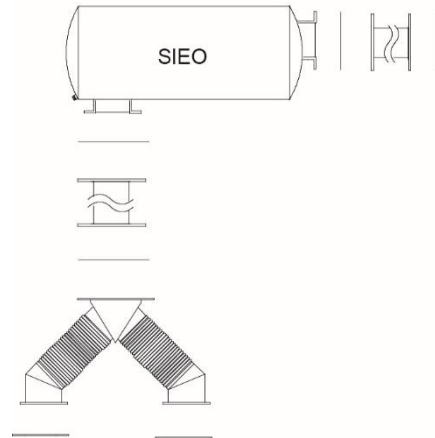


Diesel Fuel

700-1000REOZDE (with single silencer)

700-1000REOZDE				
Exhaust System Kits	No. of Kits Required	Qty. in Kit	Size, In/Out	
			50 Hz	60 Hz
Flex Exhaust (wye) *	1	1	8 in./10 in.	8 in./10 in.
Weld Flange 10 in. †	—	2	—	—
Hospital Silencer SIEO	1	1	10 in.	10 in.
Critical Silencer SIEO	1	1	10 in.	10 in.
900/1000REOZDE				
Exhaust System Kits	No. of Kits Required	Qty. in Kit	Size, In/Out	
			50 Hz	60 Hz
Flex Exhaust (wye) *	1	1	8 in./12 in.	8 in./12 in.
Weld Flange 12 in. †	—	2	—	—
Hospital Silencer SIEO	1	1	12 in.	12 in.
Critical Silencer SIEO	1	1	12 in.	12 in.

* Kit includes (1) flex wye tube, (2) gaskets, and the mounting hardware.
 † One kit includes (2) exhaust flanges, (2) gaskets, and the mounting hardware. See Weld Flange Kits for additional data.

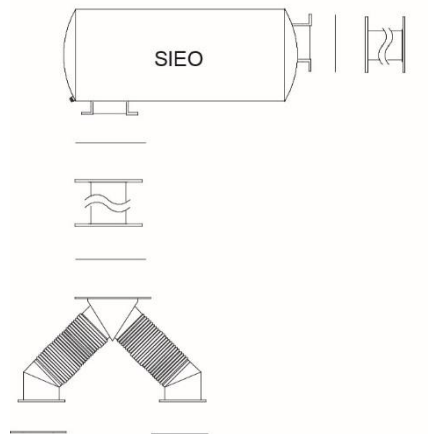


1250-2250REOZDD and 2500REOZDC

1250/1500REOZDD		
Exhaust System Kits	Qty. in Kit	Size, In/Out
Flex Exhaust (wye) *	1	10 in./14 in.
Weld Flange 14 in. or 16 in. †	2	—
Hospital Silencer SIEO	1	14 in./16 in.
Critical Silencer SIEO	1	14 in.
1750REOZDD		
Exhaust System Kits	Qty. in Kit	Size, In/Out
Flex Exhaust (wye) *	1	10 in./14 in.
Weld Flange 14 in. or 16 in. †	2	—
Hospital Silencer SIEO	1	14 in./16 in.
Critical Silencer SIEO	1	14 in./16 in.
2000REOZDD		
Exhaust System Kits	Qty. in Kit	Size, In/Out
Flex Exhaust (wye) *	1	10 in./14 in.
Weld Flange 14 in., 16 in., or 18 in. †	2	—
Hospital Silencer SIEO	1	14 in./18 in.
Critical Silencer SIEO	1	14 in./16 in.
2250REOZDD		
Exhaust System Kits	Qty. in Kit	Size, In/Out
Exhaust (wye) *	1	10 in./14 in.
Weld Flange 14 in. or 18 in. †	2	—
Hospital Silencer SIEO	1	14 in./18 in.
Critical Silencer SIEO	1	14 in./16 in.

2500REOZDC		
Exhaust System Kits	Qty. in Kit	Size, In/Out
Exhaust (wye) in. *	1	10 in./20 in.
Weld Flange 20 in. †	2	—
Hospital Silencer SIEO	1	20 in.
Critical Silencer SIEO	1	20 in.

* Kit includes (1) flex wye tube, (2) gaskets, and the mounting hardware.
 † One kit includes (2) exhaust flanges, (2) gaskets, and the mounting hardware. See Weld Flange Kits for additional data.

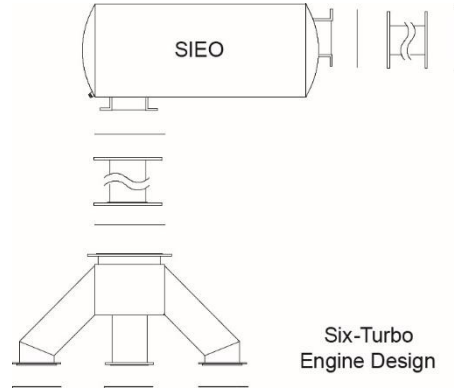


Diesel Fuel

2500/2800REOZDB and 3000/3250REOZD

Exhaust System Kits for Six-Turbo Engine Design	Qty. in Kit	Size, In/Out	
		50 Hz	60 Hz
Exhaust (wye) ‡	1	10 in./18 in.	10 in./20 in.
Weld Flange 18 in. or 20 in. §	2	—	—
Hospital Silencer SIEO	1	18 in.	20 in.
Critical Silencer SIEO	1	18 in.	20 in.

‡ Kit includes (1) wye tube, (2) gaskets, and the mounting hardware.
 § One kit includes (2) exhaust flanges, (2) gaskets, and mounting hardware. See Weld Flange Kits for additional data.
Note: The generator set flex exhaust is standard.

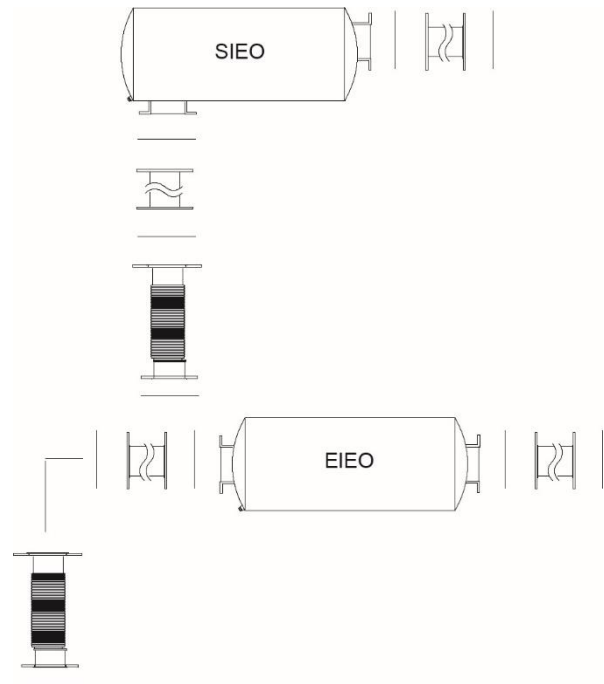


600REOZM, 750-2000REOZMD, and 750-2000ROZMC

600REOZM		
Exhaust System Kits	Qty. in Kit	Size, In/Out
Flex Exhaust 12 in. *	1	—
Weld Flange 12 in. †	2	—
Hospital Silencer EIEO	1	12 in.
Hospital Silencer SIEO	1	
Critical Silencer EIEO	1	12 in.
Critical Silencer SIEO	1	
750/800REOZMD and 750/800ROZMC		
Exhaust System Kits	Qty. in Kit	Size, In/Out
Flex Exhaust 12 in. *	1	—
Weld Flange 12 in. †	2	—
Hospital Silencer SIEO	1	12 in.
Critical Silencer SIEO	1	12 in.
900/1000REOZMD and 900/1000ROZMC		
Exhaust System Kits	Qty. in Kit	Size, In/Out
Flex Exhaust 12 in. or 14 in. *	1	—
Weld Flange 12 in. or 14 in. †	2	—
Hospital Silencer EIEO	1	12 in.
Hospital Silencer SIEO	1	14 in.
Critical Silencer EIEO	1	12 in.
Critical Silencer SIEO	1	
1250REOZMD and 1250ROZMC		
Exhaust System Kits	Qty. in Kit	Size, In/Out
Flex Exhaust 14 in. *	1	—
Weld Flange 14 in., or 16 in. †	2	—
Hospital Silencer SIEO	1	14 in./16 in.
Critical Silencer SIEO	1	14 in.
1600REOZMD and 1600ROZMC		
Exhaust System Kits	Qty. in Kit	Size, In/Out
Flex Exhaust 14 in. *	1	—
Weld Flange 14 in., or 16 in. †	2	—
Hospital Silencer SIEO	1	14 in./16 in.
Critical Silencer SIEO	1	14 in./16 in.
1750REOZMD and 1820/2000ROZMC		
Exhaust System Kits	Qty. in Kit	Size, In/Out
Flex Exhaust 14 in. *	1	—
Weld Flange 14 in., 16 in., or 18 in. †	2	—
Hospital Silencer SIEO	1	14 in./18 in.
Critical Silencer SIEO	1	14 in./16 in.

2000REOZMD		
Exhaust System Kits	Qty. in Kit	Size, In/Out
Flex Exhaust 14 *	1	—
Weld Flange 14 in. or 18 in. †	2	—
Hospital Silencer SIEO	1	14 in./18 in.
Critical Silencer SIEO	1	14 in./16 in.

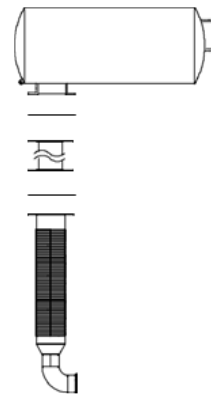
* Kit includes (1) flex wye tube, (2) gaskets, and the mounting hardware.
 † One kit includes (2) exhaust flanges, (2) gaskets, and the mounting hardware. See Weld Flange Kits for additional data.



Diesel Fuel

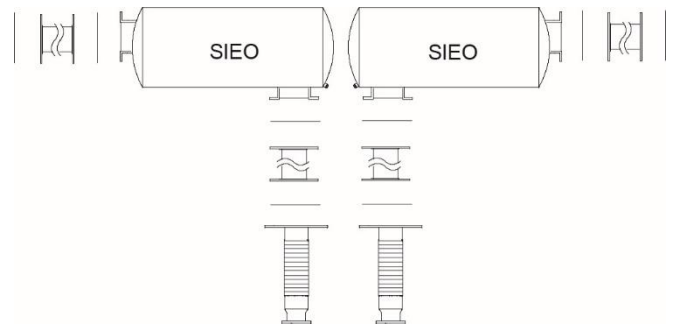
KD700-KD750 (with single silencers)

KD700-KD750			
Exhaust System Kits	No. of Kits Required	Qty. in Kit	Size, In/Out
Flex Exhaust 10 in. *	1	1	—
Weld Flange 10 in. †	—	2	—
Hospital Silencer SIEO	1	1	10 in.
Critical Silencer SIEO	1	1	10 in.
Residential Silencer SIEO	1	1	10 in.
* Kit includes (1) flex tube and mounting hardware. † One kit includes (2) exhaust flanges, (2) gaskets, and the mounting hardware. See Weld Flange Kits for additional data.			



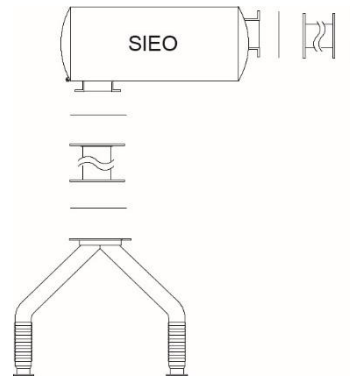
KD800-KD1000 (with dual silencers)

KD800-KD1000			
Exhaust System Kits	No. of Kits Required	Qty. in Kit	Size, In/Out
Flex Exhaust 8 in. *	1	2	—
Weld Flange 8 in. †	—	2	—
Hospital Silencer SIEO	2	1	8 in.
Critical Silencer SIEO	2	1	8 in.
* Kit includes (2) flex tubes and mounting hardware. † One kit includes (2) exhaust flanges, (2) gaskets, and the mounting hardware. See Weld Flange Kits for additional data.			



KD800-KD1000 (with single silencer)

KD800-KD1000			
Exhaust System Kits	No. of Kits Required	Qty. in Kit	Size, In/Out
Flex Exhaust (wye) 12 in. *	1	1	—
Weld Flange 12 in. †	—	2	—
Hospital Silencer SIEO	1	1	12 in.
Critical Silencer SIEO	1	1	12 in.
* Kit includes (1) flex tube and mounting hardware. Exhaust elbow gaskets are supplied on the engine. † One kit includes (2) exhaust flanges, (2) gaskets, and the mounting hardware. See Weld Flange Kits for additional data.			

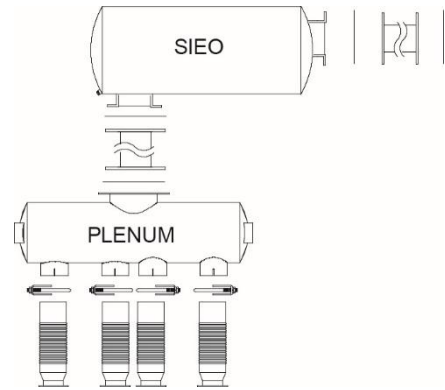


Diesel Fuel

KD1250-1750 including KD1250-A (with single silencer)

KD1250-KD1750 including KD1250-A			
Exhaust System Kits	No. of Kits Required	Qty. in Kit	Size, In/Out
Flex Exhaust 14 in. *	1	4	—
Weld Flange 14 or 16 in. †	—	2	—
Hospital Silencer SIEO	1	1	14 in./16 in.
Critical Silencer SIEO	1	1	14 in./16 in.

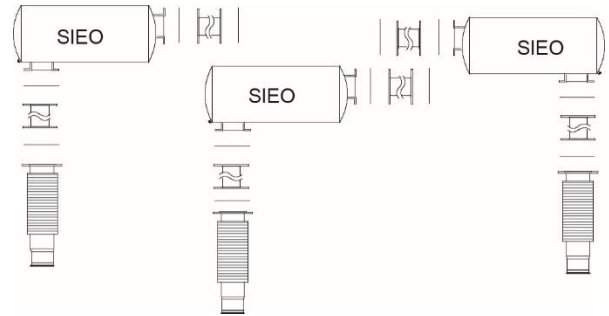
* Kit includes (4) flex exhaust tubes, (4) gaskets, and plenum. Gaskets are supplied on the engine.
 † One kit includes (2) exhaust flanges, (2) gaskets, and the mounting hardware. See Weld Flange Kits for additional data.



KD2000-KD2500 (with three silencers, KD62V12 engine)

KD2000-KD2500			
Exhaust System Kits	No. of Kits Required	Qty. in Kit	Size, In/Out
Flex Exhaust 10 in. *	1	3	—
Weld Flange 10 in. †	—	3	—
Hospital Silencer SIEO	3	1	10 in.
Critical Silencer SIEO	3	1	10 in.

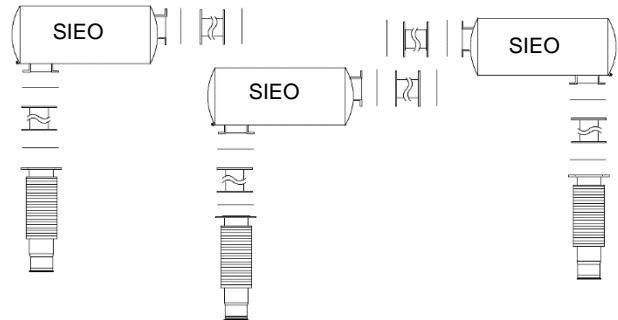
* Kit includes (3) flex tubes. Exhaust elbow gaskets are supplied on the engine.
 † One kit includes (3) exhaust flanges, (3) gaskets, and the mounting hardware. See Weld Flange Kits for additional data.



KD2000-KD2500 (with three silencers, KD62V12A engine)

KD2000-KD2500			
Exhaust System Kits	No. of Kits Required	Qty. in Kit	Size, In/Out
Flex Exhaust 8 in. *	1	3	—
Weld Flange 8 in. †	—	3	—
Hospital Silencer SIEO	3	1	10 in.
Critical Silencer SIEO	3	1	10 in.

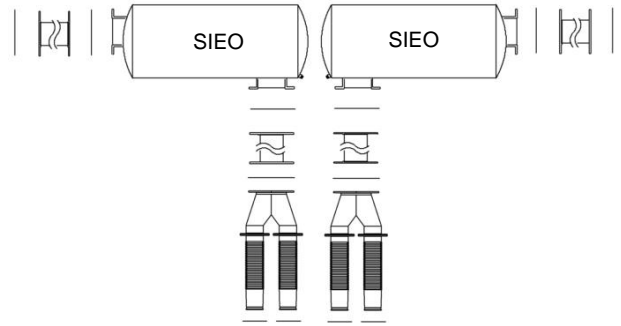
* Kit includes (3) flex tubes. Exhaust elbow gaskets are supplied on the engine.
 † One kit includes (3) exhaust flanges, (3) gaskets, and the mounting hardware. See Weld Flange Kits for additional data.



Diesel Fuel

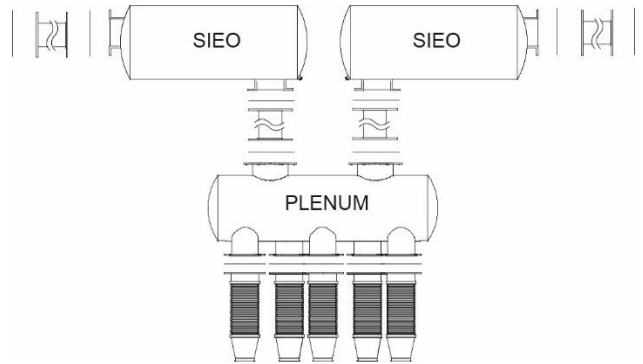
KD2800-KD3250 (with dual silencers, KD83V16 and KD83V16A engine)

KD2800-KD3250			
Exhaust System Kits	No. of Kits Required	Qty. in Kit	Size, In/Out
Flex Exhaust (wye) 14 in. *	1	2	—
Weld Flange 14 in. or 16 in. †	—	2	—
Hospital Silencer SIEO	2	1	14 in./16 in.
Critical Silencer SIEO	2	1	14 in.
* Kit includes (4) flex tubes, (2) wye pipes, and hardware and exhaust gaskets to connect the flex tubes to the wye pipes. † One kit includes (2) exhaust flanges, (2) gaskets, and the mounting hardware. See Weld Flange Kits for additional data.			



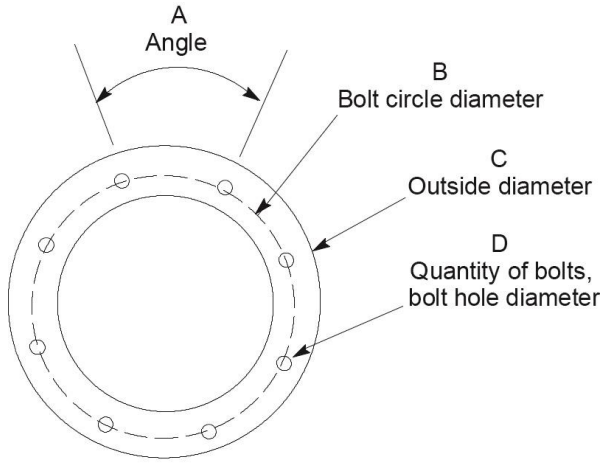
KD3500-KD4000 (with dual silencers)

KD3500-KD4000			
Exhaust System Kits	No. of Kits Required	Qty. in Kit	Size, In/Out
Flex Exhaust 14 in. *	1	5	—
Weld Flange 14 in. or 16 in. †	—	2	—
Hospital Silencer SIEO	2	1	14 in./16 in.
Critical Silencer SIEO	2	1	14 in./16 in.
* Kit includes (5) flex exhaust tubes, (5) gaskets, and plenum. Exhaust elbow gaskets are supplied on the engine. † One kit includes (2) exhaust flanges, (2) gaskets, and the mounting hardware. See Weld Flange Kits for additional data.			



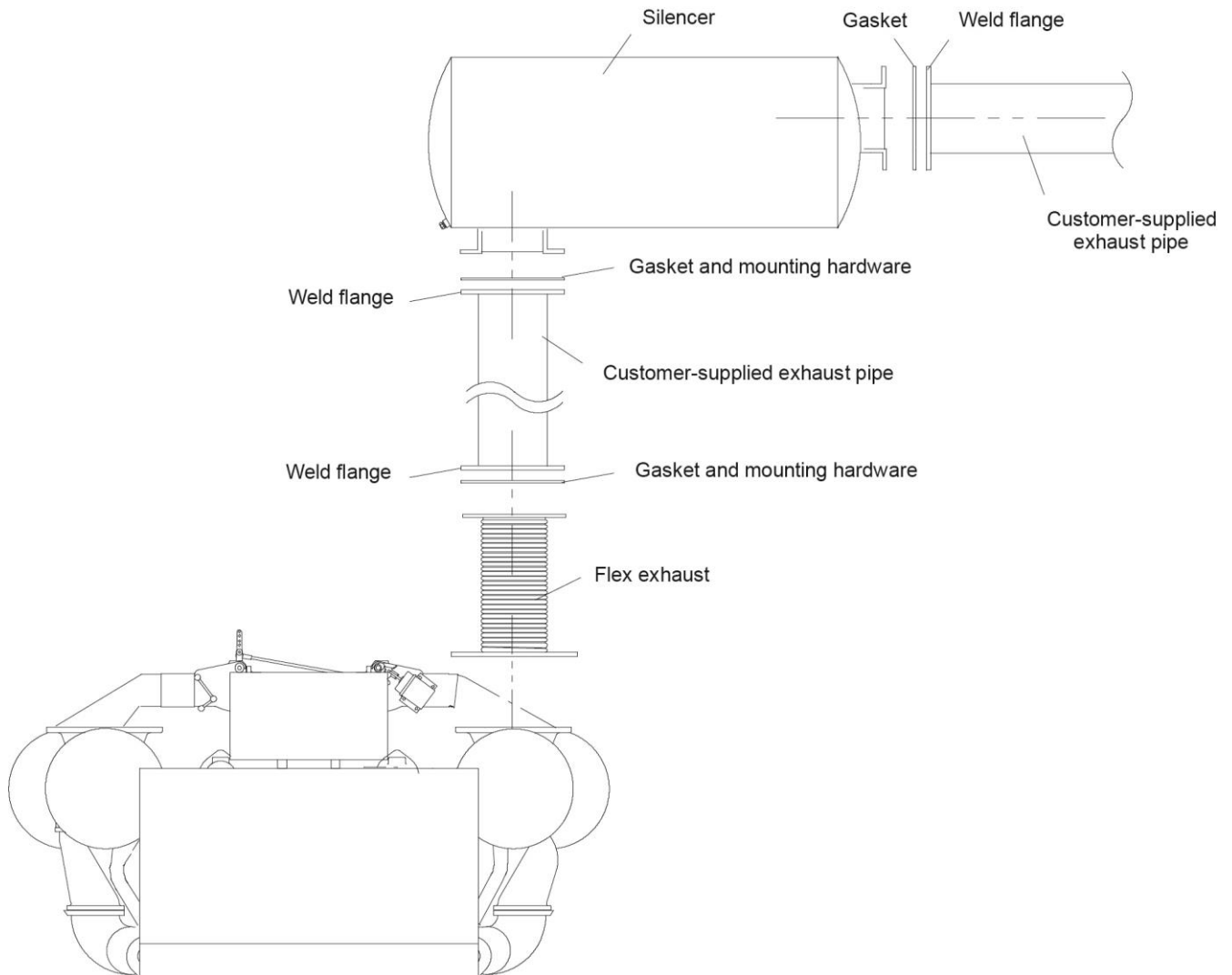
Weld Flange Kits

Use the weld flange kit to connect the exhaust silencer to customer-supplied exhaust pipe. One weld flange kit includes two exhaust flanges, two gaskets, and the mounting hardware.



Weld Flange Dimensions

ANSI Class 150 Flange Dimensions				
Nominal Pipe Size, in.	A deg.	B mm (in.)	C mm (in.)	D Qty., mm (in.)
5	45	215.90 (8.50)	254.0 (10.0)	8, 22.23 (0.88)
6	45	241.30 (9.50)	279.4 (11.0)	8, 22.23 (0.88)
8	45	298.45 (11.75)	342.9 (13.5)	8, 22.23 (0.88)
10	30	361.95 (14.25)	406.4 (16.0)	12, 25.40 (1.00)
12	30	431.80 (17.00)	482.6 (19.0)	12, 25.40 (1.00)
14	30	476.25 (18.75)	533.4 (21.0)	12, 28.58 (1.13)
16	22.5	539.75 (21.25)	596.9 (23.5)	16, 28.58 (1.13)
18	22.5	577.85 (22.75)	635.0 (25.0)	16, 31.75 (1.25)
20	18	635.00 (25.00)	698.5 (27.5)	20, 31.75 (1.25)



Availability is subject to change without notice. Kohler Co. reserves the right to change the design or specifications without notice and without any obligation or liability whatsoever. Contact your local Kohler® generator set distributor for availability.

DISTRIBUTED BY:

© 2010 Kohler Co. All rights reserved.