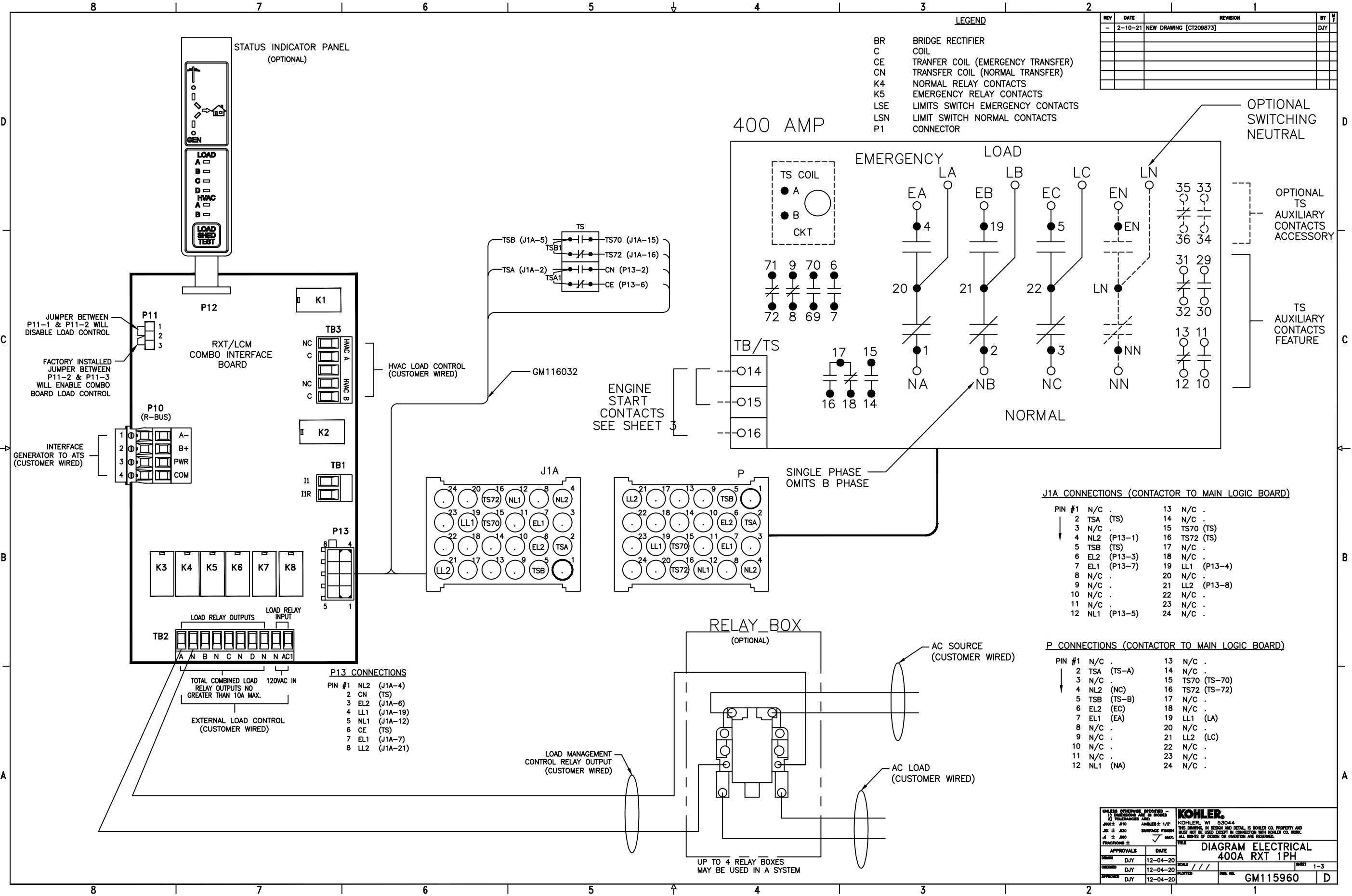


REV	DATE	REVISION	BY
-	2-10-21	NEW DRAWING [CT209873]	DJY

LEGEND

- BR BRIDGE RECTIFIER
- C COIL
- CE TRANSFER COIL (EMERGENCY TRANSFER)
- CN TRANSFER COIL (NORMAL TRANSFER)
- K4 NORMAL RELAY CONTACTS
- K5 EMERGENCY RELAY CONTACTS
- LSE LIMITS SWITCH EMERGENCY CONTACTS
- LSN LIMIT SWITCH NORMAL CONTACTS
- P1 CONNECTOR



J1A CONNECTIONS (CONTACTOR TO MAIN LOGIC BOARD)

PIN #1	N/C	13	N/C
2	TSA (TS)	14	N/C
3	N/C	15	TS70 (TS)
4	NL2 (P13-1)	16	TS72 (TS)
5	TSB (TS)	17	N/C
6	EL2 (P13-3)	18	N/C
7	EL1 (P13-7)	19	LL1 (P13-4)
8	N/C	20	N/C
9	N/C	21	LL2 (P13-8)
10	N/C	22	N/C
11	N/C	23	N/C
12	NL1 (P13-5)	24	N/C

P CONNECTIONS (CONTACTOR TO MAIN LOGIC BOARD)

PIN #1	N/C	13	N/C
2	TSA (TS-A)	14	N/C
3	N/C	15	TS70 (TS-70)
4	NL2 (NC)	16	TS72 (TS-72)
5	TSB (TS-B)	17	N/C
6	EL2 (EC)	18	N/C
7	EL1 (EA)	19	LL1 (LA)
8	N/C	20	N/C
9	N/C	21	LL2 (LC)
10	N/C	22	N/C
11	N/C	23	N/C
12	NL1 (NA)	24	N/C

P13 CONNECTIONS

PIN #1	NL2 (J1A-4)
2	CN (TS)
3	EL2 (J1A-6)
4	LL1 (J1A-19)
5	NL1 (J1A-12)
6	CE (TS)
7	EL1 (J1A-7)
8	LL2 (J1A-21)

TOTAL COMBINED LOAD RELAY OUTPUTS NO GREATER THAN 10A MAX.

EXTERNAL LOAD CONTROL (CUSTOMER WIRED)

UNLESS OTHERWISE SPECIFIED - DIMENSIONS ARE IN INCHES TOLERANCES ARE:

SIZE: 010 FRACTION ± 1/32 SURFACE FINISH: MAX. 125 RA

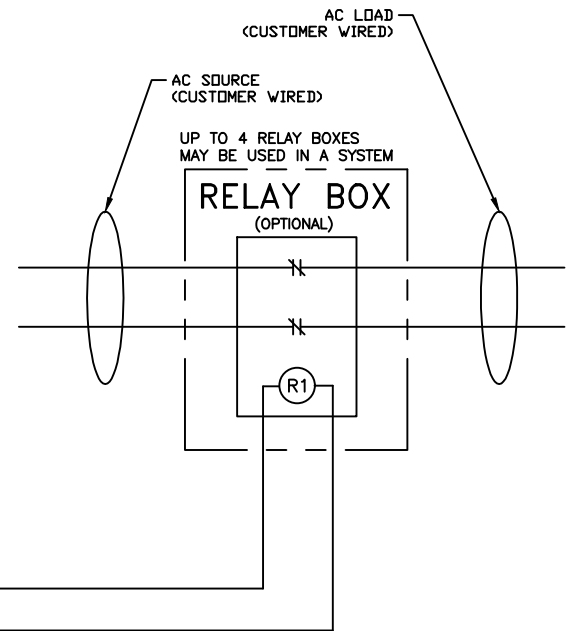
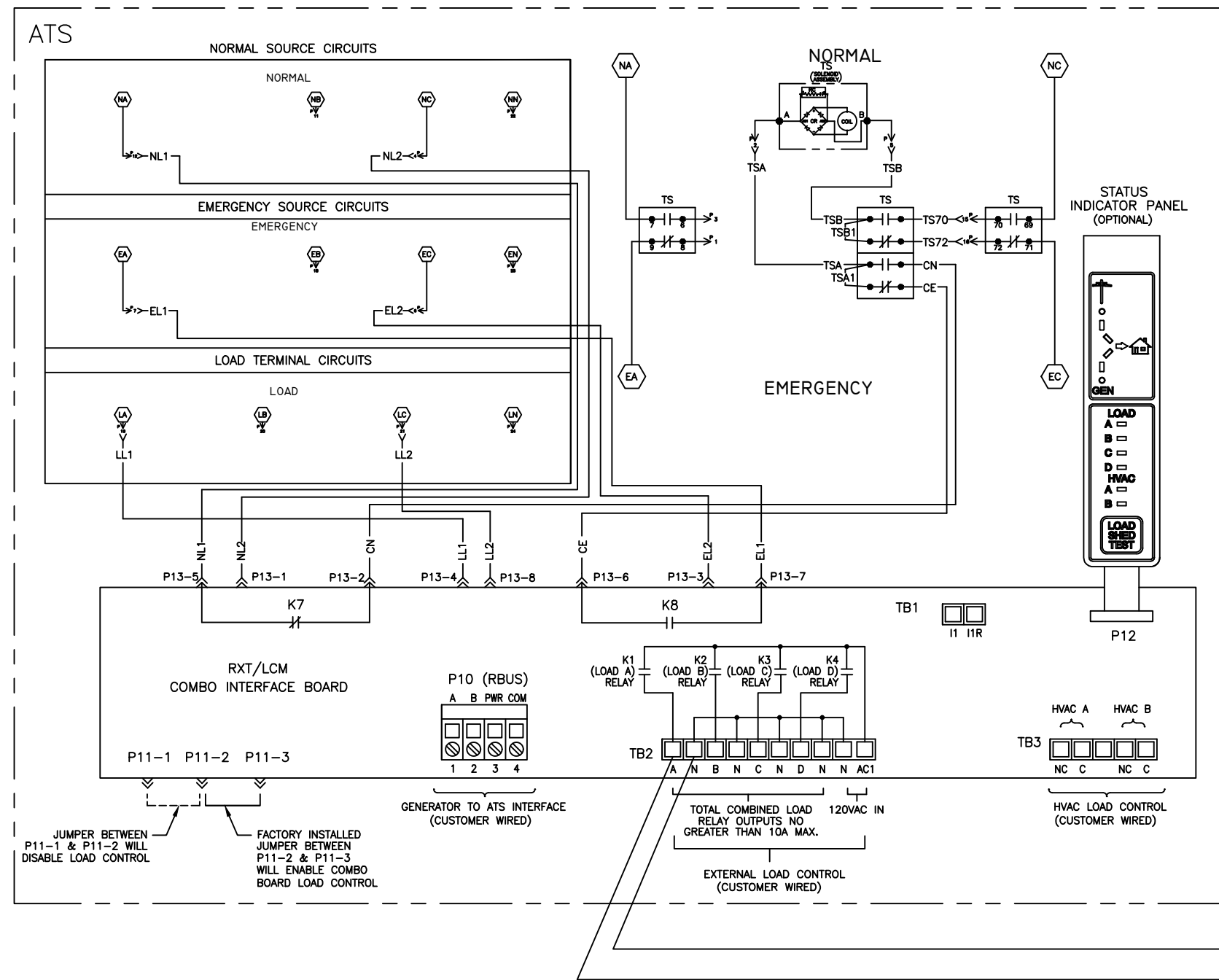
KOHLER, WI 53044
THIS DRAWING, IN WHOLE OR IN PART, IS KOHLER CO. PROPERTY AND MUST NOT BE USED EXCEPT IN CONNECTION WITH KOHLER CO. WORK. ALL RIGHTS OF DESIGN OR INVENTION ARE RESERVED.

DIAGRAM ELECTRICAL 400A RXT 1PH

APPROVALS	DATE	SCALE	SHEET
DESIGNED: DJY	12-04-20	1:1	1-3
CHECKED: DJY	12-04-20	PLATED	
APPROVED: DJY	12-04-20		

PIN NO. **GM115960** D

REV	DATE	REVISION	BY
-	2-10-21	NEW DRAWING [CT209873]	DJY



JUMPER BETWEEN P11-1 & P11-2 WILL DISABLE LOAD CONTROL

FACTORY INSTALLED JUMPER BETWEEN P11-2 & P11-3 WILL ENABLE COMBO BOARD LOAD CONTROL

GENERATOR TO ATS INTERFACE (CUSTOMER WIRED)

TOTAL COMBINED LOAD 120VAC IN RELAY OUTPUTS NO GREATER THAN 10A MAX.

EXTERNAL LOAD CONTROL (CUSTOMER WIRED)

HVAC A
H V A C
A B

HVAC B
H V A C
A B

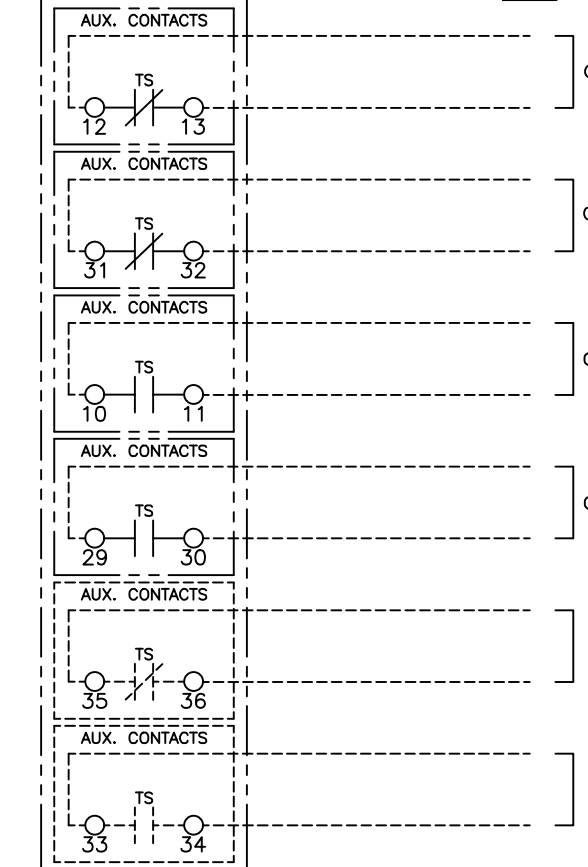
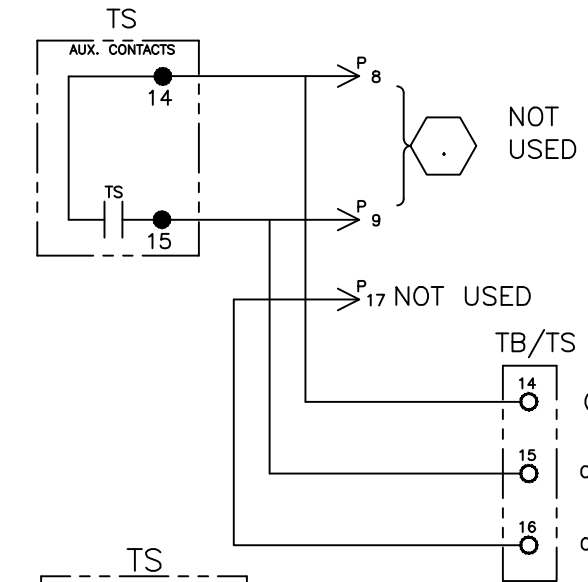
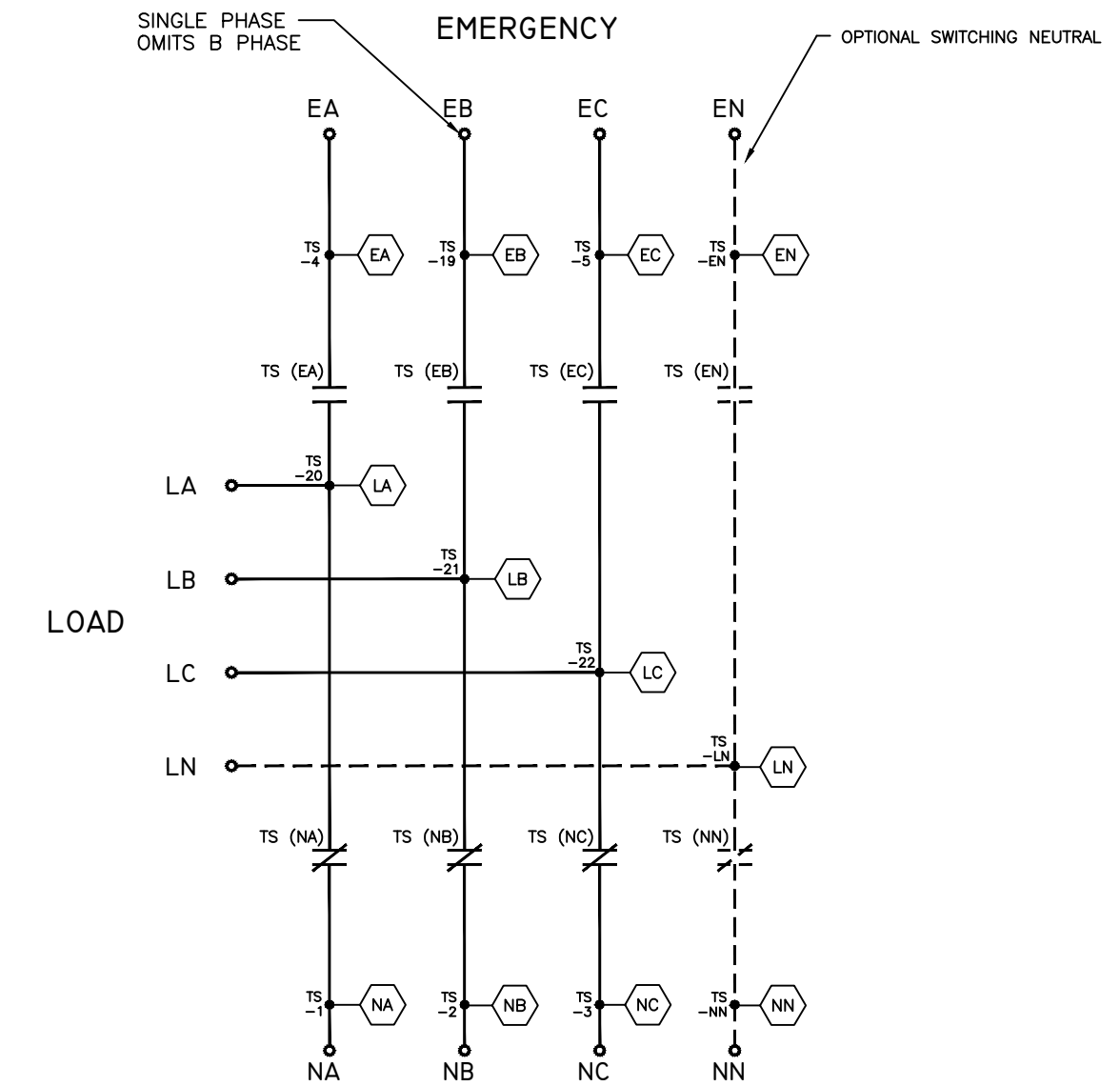
HVAC LOAD CONTROL (CUSTOMER WIRED)

UNLESS OTHERWISE SPECIFIED - 1) DIMENSIONS ARE IN INCHES 2) TOLERANCES ARE: FRACTIONS ± .010 DECIMAL ± .030 SURFACE FINISH Z ± .000 FRACTIONS ± .010		KOHLER, WI 53044 THIS DRAWING, IN DESIGN AND DETAIL, IS KOHLER CO. PROPERTY AND MUST NOT BE USED EXCEPT IN CONNECTION WITH KOHLER CO. WORK. ALL RIGHTS OF DESIGN OR INVENTION ARE RESERVED.	
APPROVALS	DATE	TITLE	SHEET
DESIGN DJY	12-04-20	DIAGRAM ELECTRICAL 400A RXT 1PH	2-3
CHECKED DJY	12-04-20	SCALE	PLOTTED
APPROVED DJY	12-04-20	FIG. NO. GM115960	D

REV	DATE	REVISION	BY
-	2-10-21	NEW DRAWING [CT209873]	DJY

MAIN POWER POLES

AUXILIARY CONTACTS



ENGINE STARTING SIGNALS
(10 AMPS, 32VDC)

TS AUXILIARY CONTACTS FEATURE
(10 AMPS, 32VDC)
(10 AMPS, 480VAC)
GENERAL PURPOSE

OPTIONAL TS AUXILIARY CONTACTS ACCESSORIES
(10 AMPS, 32VDC)
(10 AMPS, 480VAC)
GENERAL PURPOSE

NOTE:
ATS SHOWN CLOSED ON NORMAL SOURCE.

- GENERAL NOTES**
- SWITCH SHOWN DE-ENERGIZED AND CONNECTED TO THE NORMAL SOURCE.
 - DEVICE SYMBOLS AND DESIGNATIONS ARE IN ACCORDANCE WITH NEMA PUBLICATION ICS 1-1983, PART 1-101A.
 - ALL WIRING IS #16 AWG, TINNED, STRANDED COPPER UNLESS OTHERWISE INDICATED.

UNLESS OTHERWISE SPECIFIED - 1) DIMENSIONS ARE IN INCHES 2) TOLERANCES ARE: FRACTIONS ± .005 DECIMALS ± .010 ANGLES ± 1/2° SURFACE FINISH X ± .000 Y ± .000 Z ± .000		KOHLER KOHLER, WI 53044 THIS DRAWING, IN DESIGN AND DETAIL, IS KOHLER CO. PROPERTY AND MUST NOT BE USED EXCEPT IN CONNECTION WITH KOHLER CO. WORK. ALL RIGHTS OF DESIGN OR INVENTION ARE RESERVED.	
APPROVALS: _____ DATE: _____ DRAWN: DJY 12-04-20 CHECKED: DJY 12-04-20 APPROVED: DJY 12-04-20		TITLE: DIAGRAM ELECTRICAL 400A RXT 1PH SCALE: /// SHEET: 3-3 PART NO.: GM115960	