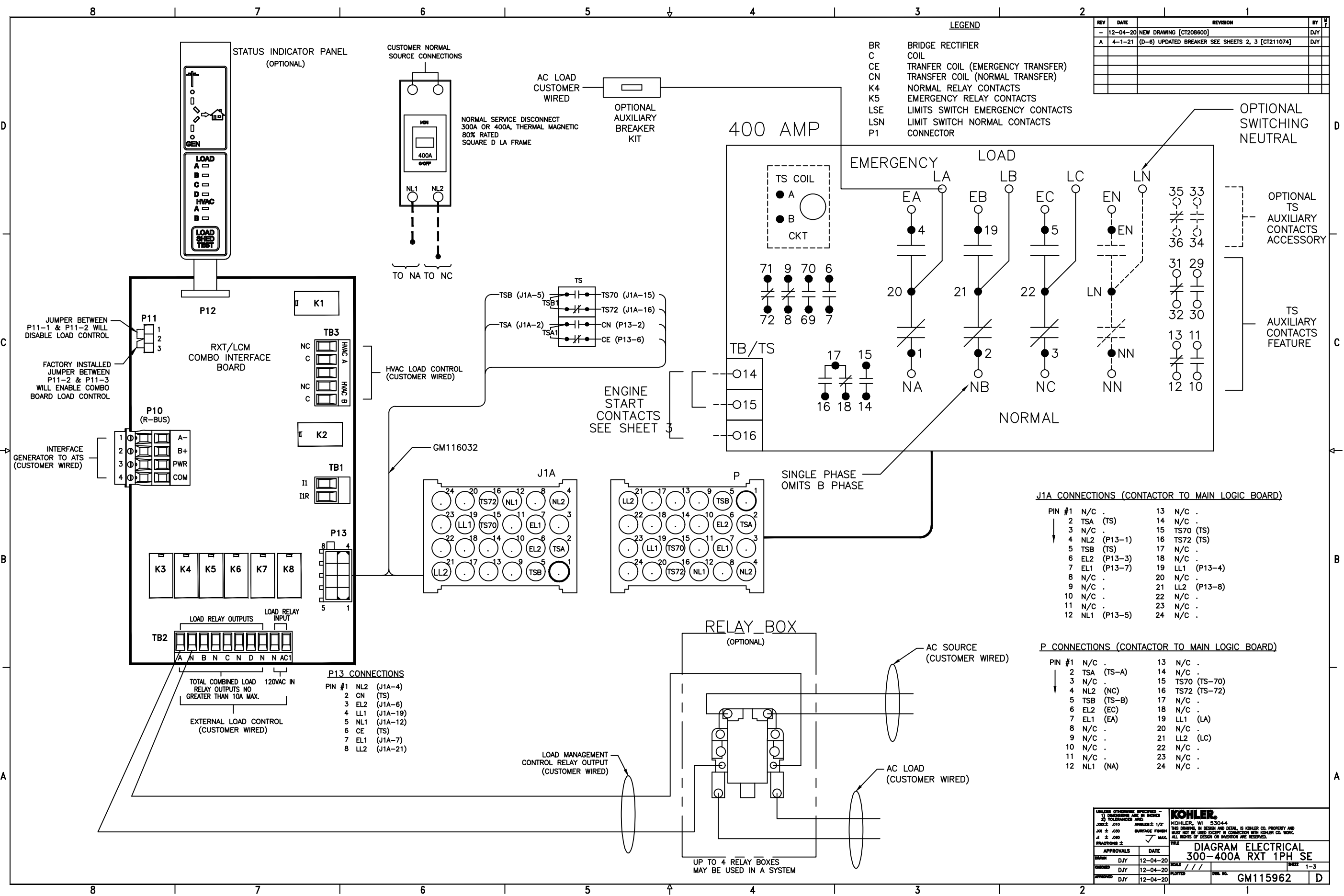


REV	DATE	REVISION	BY
-	12-04-20	NEW DRAWING [CT208600]	DJY
A	4-1-21	(D-8) UPDATED BREAKER SEE SHEETS 2, 3 [CT211074]	DJY

LEGEND

- BR BRIDGE RECTIFIER
- C COIL
- CE TRANSFER COIL (EMERGENCY TRANSFER)
- CN TRANSFER COIL (NORMAL TRANSFER)
- K4 NORMAL RELAY CONTACTS
- K5 EMERGENCY RELAY CONTACTS
- LSE LIMITS SWITCH EMERGENCY CONTACTS
- LSN LIMIT SWITCH NORMAL CONTACTS
- P1 CONNECTOR



J1A CONNECTIONS (CONTACTOR TO MAIN LOGIC BOARD)

PIN #1	N/C	13	N/C
2	TSA (TS)	14	N/C
3	N/C	15	TS70 (TS)
4	NL2 (P13-1)	16	TS72 (TS)
5	TSB (TS)	17	N/C
6	EL2 (P13-3)	18	N/C
7	EL1 (P13-7)	19	LL1 (P13-4)
8	N/C	20	N/C
9	N/C	21	LL2 (P13-8)
10	N/C	22	N/C
11	N/C	23	N/C
12	NL1 (P13-5)	24	N/C

P CONNECTIONS (CONTACTOR TO MAIN LOGIC BOARD)

PIN #1	N/C	13	N/C
2	TSA (TS-A)	14	N/C
3	N/C	15	TS70 (TS-70)
4	NL2 (NC)	16	TS72 (TS-72)
5	TSB (TS-B)	17	N/C
6	EL2 (EC)	18	N/C
7	EL1 (EA)	19	LL1 (LA)
8	N/C	20	N/C
9	N/C	21	LL2 (LC)
10	N/C	22	N/C
11	N/C	23	N/C
12	NL1 (NA)	24	N/C

P13 CONNECTIONS

PIN #1	NL2 (J1A-4)
2	CN (TS)
3	EL2 (J1A-6)
4	LL1 (J1A-19)
5	NL1 (J1A-12)
6	CE (TS)
7	EL1 (J1A-7)
8	LL2 (J1A-21)

TOTAL COMBINED LOAD RELAY OUTPUTS NO GREATER THAN 10A MAX.

EXTERNAL LOAD CONTROL (CUSTOMER WIRED)

120VAC IN

UNLESS OTHERWISE SPECIFIED - DIMENSIONS ARE IN INCHES TOLERANCES ARE:

SIZE: 010 FRACTIONS ± .005 SURFACE FINISH: MAX. APPROVALS: DATE: 12-04-20

KOHLER, WI 53044
THIS DRAWING, IN WHOLE OR IN PART, IS KOHLER CO. PROPERTY AND MUST NOT BE USED EXCEPT IN CONNECTION WITH KOHLER CO. WORK. ALL RIGHTS OF DESIGN OR INVENTION ARE RESERVED.

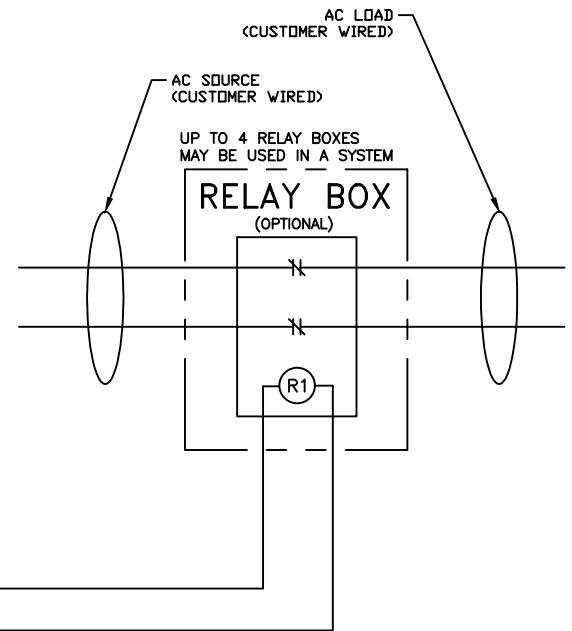
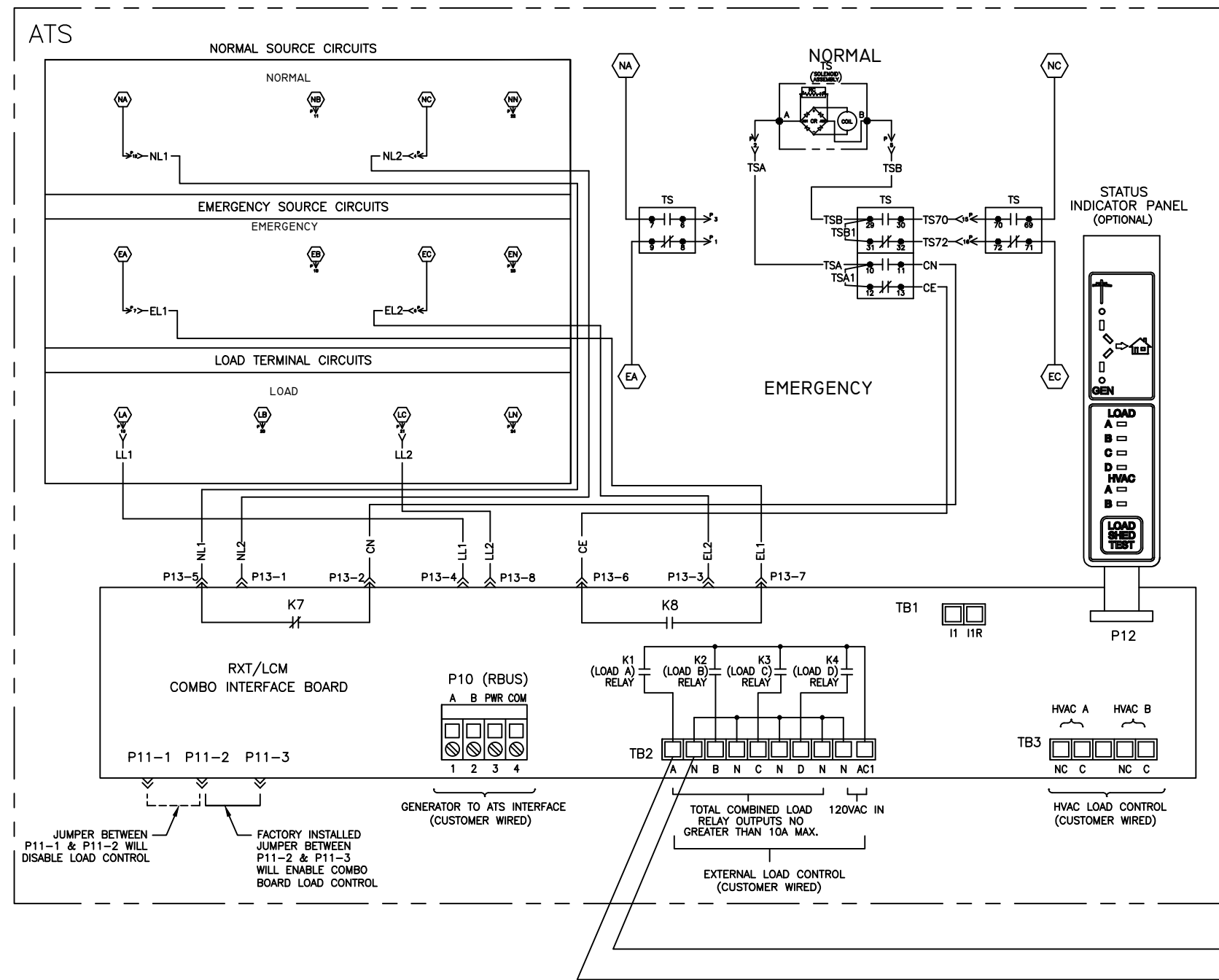
DIAGRAM ELECTRICAL 300-400A RXT 1PH SE

SCALE: 1-3 SHEET: 1-3

APPROVED: DJY 12-04-20
DESIGNED: DJY 12-04-20
DRAWN: DJY 12-04-20

PIN NO: GM115962

REV	DATE	REVISION	BY
-	12-04-20	NEW DRAWING [CT208600]	DJY
A	4-1-21	(C-4) ADDED LABELS TO TS & SEE SHEETS 1, 3 [CT211074]	DJY



JUMPER BETWEEN P11-1 & P11-2 WILL DISABLE LOAD CONTROL

FACTORY INSTALLED JUMPER BETWEEN P11-2 & P11-3 WILL ENABLE COMBO BOARD LOAD CONTROL

GENERATOR TO ATS INTERFACE (CUSTOMER WIRED)

EXTERNAL LOAD CONTROL (CUSTOMER WIRED)

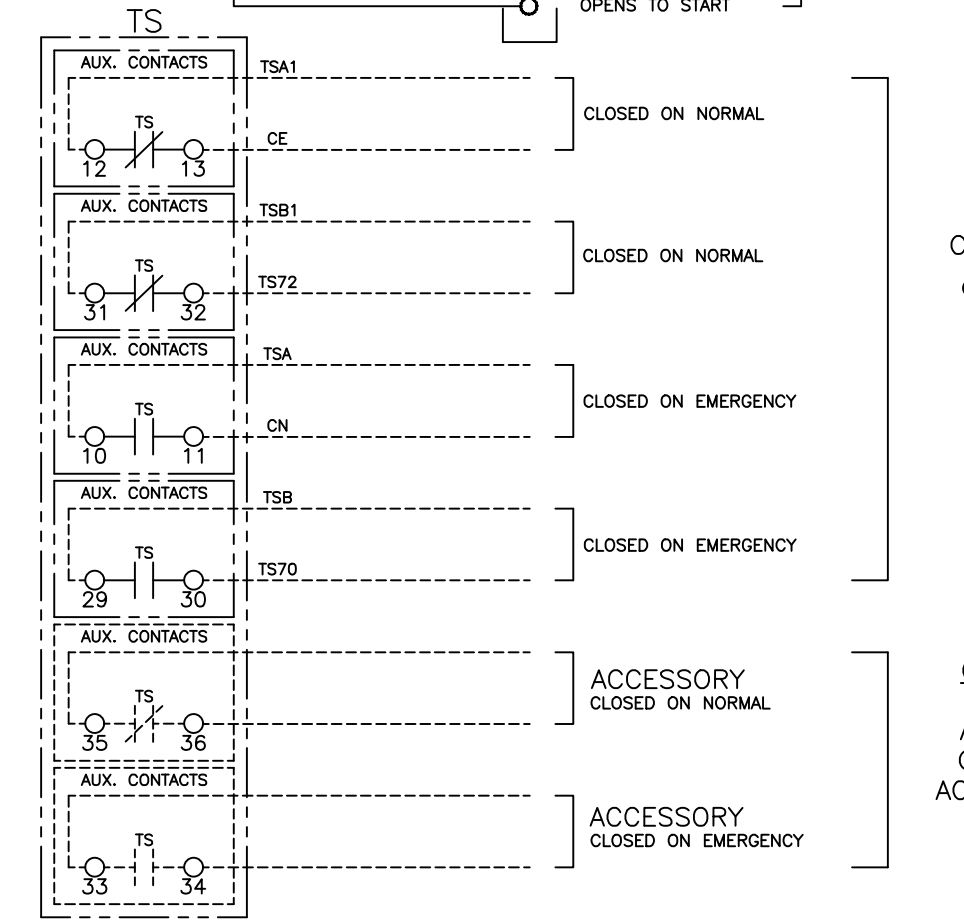
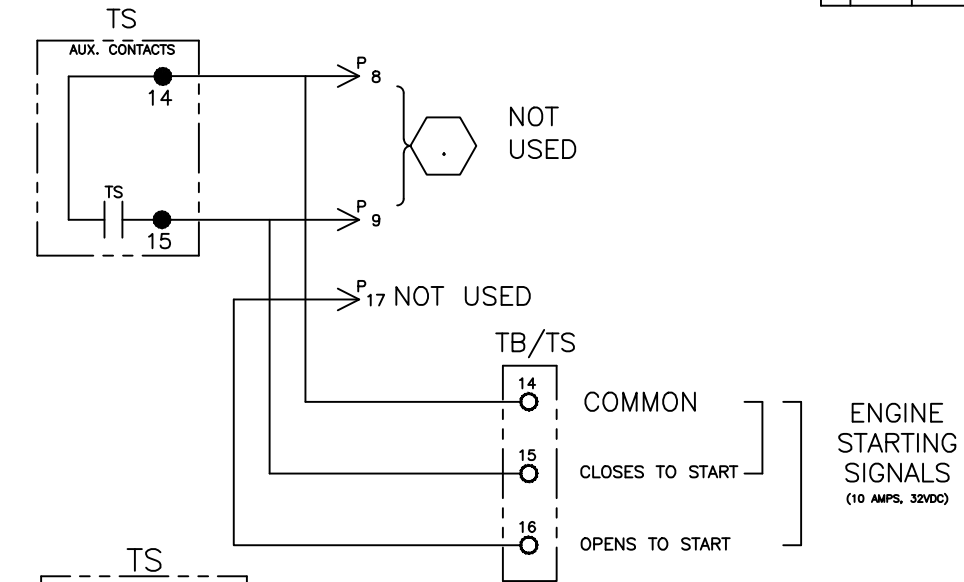
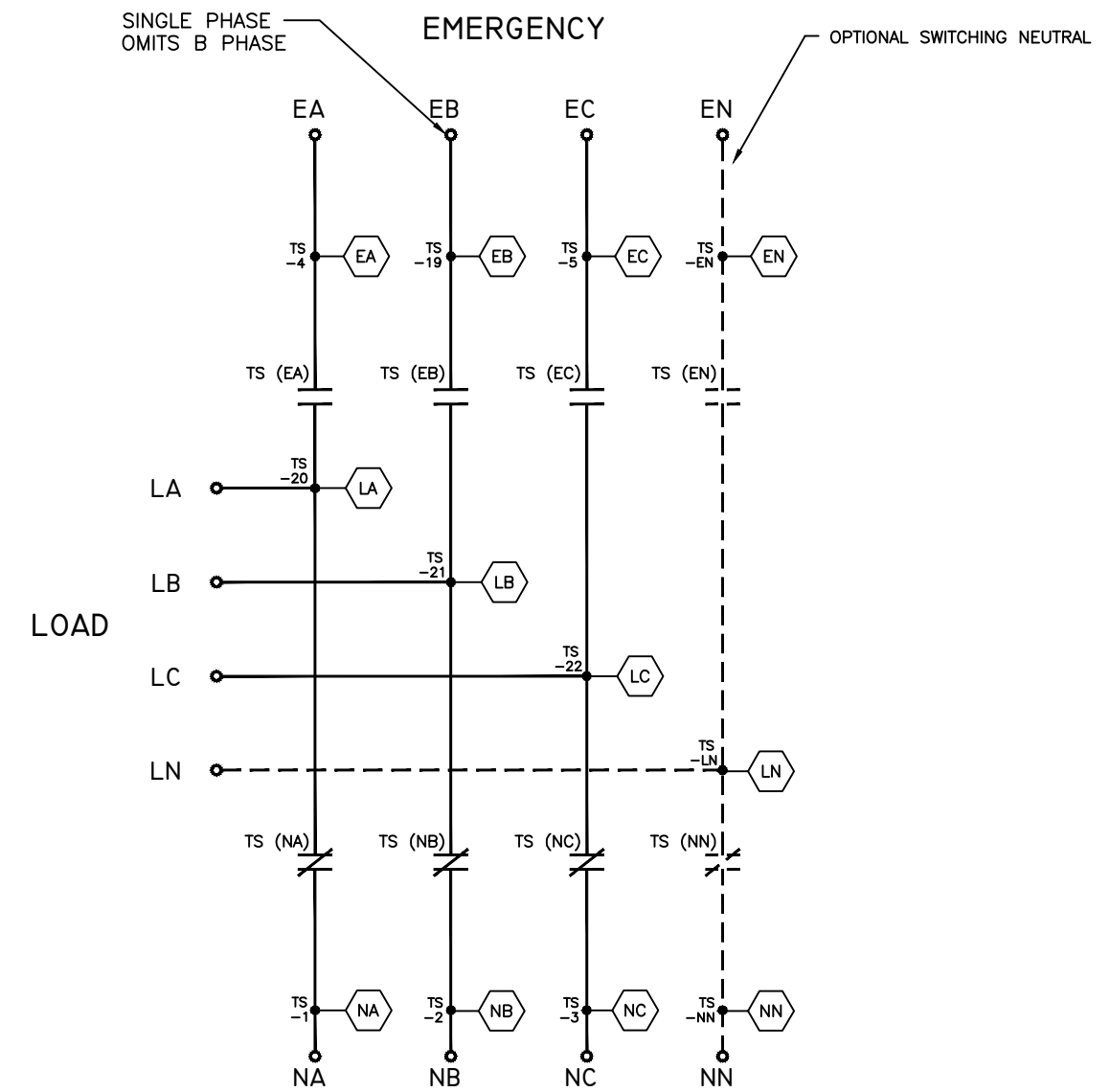
HVAC LOAD CONTROL (CUSTOMER WIRED)

UNLESS OTHERWISE SPECIFIED - 1) DIMENSIONS ARE IN INCHES 2) TOLERANCES ARE: FRACTIONS ± .010 DECIMALS ± .030 DIMENSIONS ± .000		KOHLER, WI 53044 THIS DRAWING, IN DESIGN AND DETAIL, IS KOHLER CO. PROPERTY AND MUST NOT BE USED EXCEPT IN CONNECTION WITH KOHLER CO. WORK. ALL RIGHTS OF DESIGN OR INVENTION ARE RESERVED.	
APPROVALS	DATE	TITLE	SHEET
DJY	12-04-20	DIAGRAM ELECTRICAL 300-400A RXT 1PH SE	2-3
DJY	12-04-20	SCALE	PERMITTED
DJY	12-04-20	GM115962	D

REV	DATE	REVISION	BY
-	12-04-20	NEW DRAWING [CT208600]	DJY
A	4-1-21	(C-3) ADDED LABELS TO TS & SEE SHEET 1, 2 [CT211074]	DJY

MAIN POWER POLES

AUXILIARY CONTACTS



NOTE:
ATS SHOWN CLOSED ON NORMAL SOURCE.

- GENERAL NOTES**
- SWITCH SHOWN DE-ENERGIZED AND CONNECTED TO THE NORMAL SOURCE.
 - ALL WIRING IS #16 AWG, TINNED, STRANDED COPPER UNLESS OTHERWISE INDICATED.

UNLESS OTHERWISE SPECIFIED - 1) DIMENSIONS ARE IN INCHES 2) TOLERANCES ARE: FRACTIONS ± .010 DECIMALS ± .030 ANGLES ± 1/2° SURFACE FINISH X ± .000 MAX.		KOHLER. KOHLER, WI 53044 THIS DRAWING, IN DESIGN AND DETAIL, IS KOHLER CO. PROPERTY AND MUST NOT BE USED EXCEPT IN CONNECTION WITH KOHLER CO. WORK. ALL RIGHTS OF DESIGN OR INVENTION ARE RESERVED.	
APPROVALS		DATE	
DESIGN	DJY	12-04-20	
CHECKED	DJY	12-04-20	
APPROVED	DJY	12-04-20	
TITLE		SCALE	SHEET
DIAGRAM ELECTRICAL		///	3-3
300-400A RXT 1PH SSE		PLANT NO.	
		GM115962	D