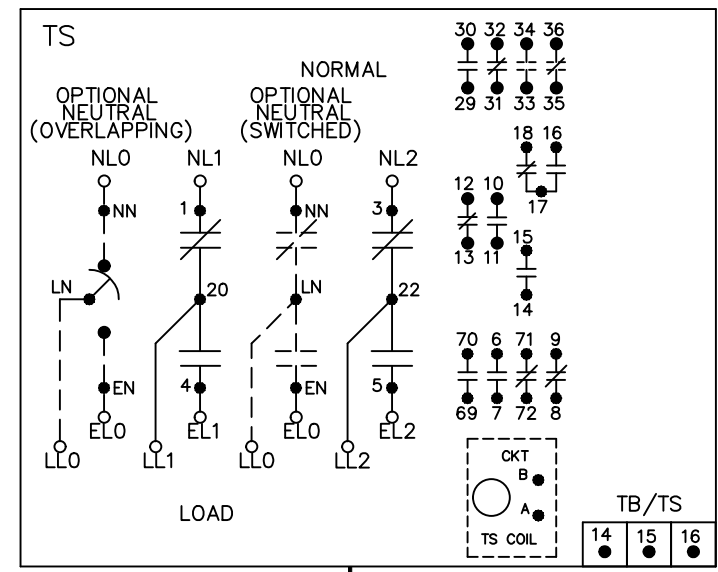


REV	DATE	REVISION	BY	CHK
-	12-04-20	NEW DRAWING [CT208600]	DJY	

400 AMP



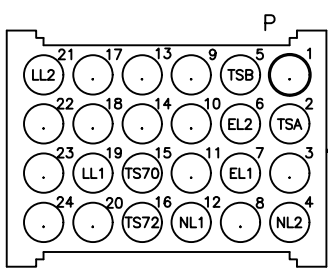
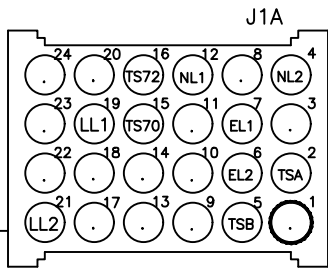
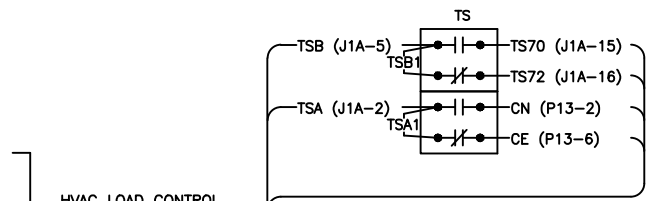
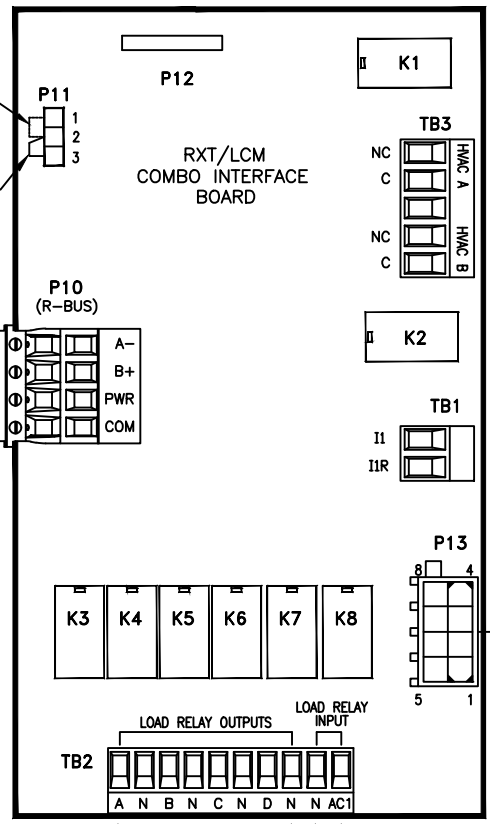
ENGINE START CONTACTS SEE SHEET 3

J1A CONNECTIONS (CONTACTOR TO MAIN LOGIC BOARD)

PIN #1	N/C	13	N/C
2	TSA (TS)	14	N/C
3	N/C	15	TS70 (TS)
4	NL2 (P13-1)	16	TS72 (TS)
5	TSB (TS)	17	N/C
6	EL2 (P13-3)	18	N/C
7	EL1 (P13-7)	19	LL1 (P13-4)
8	N/C	20	N/C
9	N/C	21	LL2 (P13-8)
10	N/C	22	N/C
11	N/C	23	N/C
12	NL1 (P13-5)	24	N/C

P CONNECTIONS (CONTACTOR TO MAIN LOGIC BOARD)

PIN #1	N/C	13	N/C
2	TSA (TS-A)	14	N/C
3	N/C	15	TS70 (TS-70)
4	NL2 (NC)	16	TS72 (TS-72)
5	TSB (TS-B)	17	N/C
6	EL2 (EC)	18	N/C
7	EL1 (EA)	19	LL1 (LA)
8	N/C	20	N/C
9	N/C	21	LL2 (LC)
10	N/C	22	N/C
11	N/C	23	N/C
12	NL1 (NA)	24	N/C



P13 CONNECTIONS

PIN #1	NL2 (J1A-4)
2	CN (TS)
3	EL2 (J1A-6)
4	LL1 (J1A-19)
5	NL1 (J1A-12)
6	CE (TS)
7	EL1 (J1A-7)
8	LL2 (J1A-21)

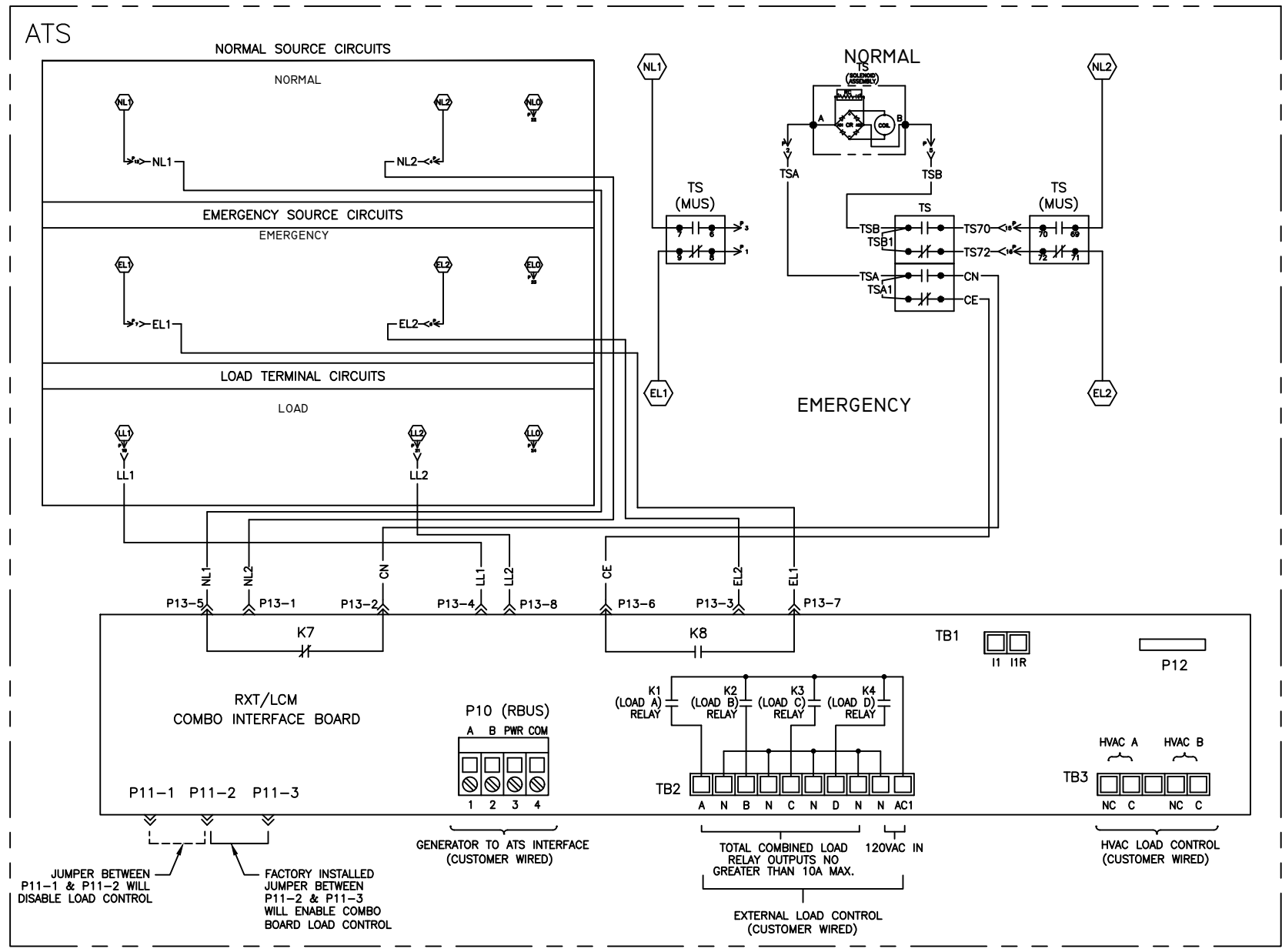
TOTAL COMBINED LOAD RELAY OUTPUTS NO GREATER THAN 10A MAX.
 120VAC IN
 EXTERNAL LOAD CONTROL (CUSTOMER WIRED)

LEGEND

- BR BRIDGE RECTIFIER
- C COIL
- CE TRANSFER COIL (EMERGENCY TRANSFER)
- CN TRANSFER COIL (NORMAL TRANSFER)
- K4 NORMAL RELAY CONTACTS
- K5 EMERGENCY RELAY CONTACTS
- LSE LIMITS SWITCH EMERGENCY CONTACTS
- LSN LIMIT SWITCH NORMAL CONTACTS
- P1 CONNECTOR

UNLESS OTHERWISE SPECIFIED - 1) DIMENSIONS ARE IN INCHES 2) TOLERANCES ARE: FRACTIONS ± .005 DECIMALS ± .005 SURFACE FINISH MAX. ✓		KOHLER KOHLER, WI 53044 THIS DRAWING, IN SCHEMATIC AND DETAIL, IS KOHLER CO. PROPERTY AND MUST NOT BE USED EXCEPT IN CONNECTION WITH KOHLER CO. WORK. ALL RIGHTS OF DESIGN OR INVENTION ARE RESERVED.	
APPROVALS DRAWN DJY CHECKED DJY APPROVED DJY		DATE 12-04-20 12-04-20 12-04-20	
TITLE DIAGRAM ELECTRICAL 400A RXT 3 PH, 3P		SCALE 1-2 SHEET 1-2	
PART NO. GM115964		D	

REV	DATE	REVISION	BY
-	12-04-20	NEW DRAWING [CT208600]	DJY



APPROVALS	DATE	SCALE	SHEET
DESIGN DJY	12-04-20		2-2
CHECKED DJY	12-04-20		
APPROVED DJY	12-04-20		

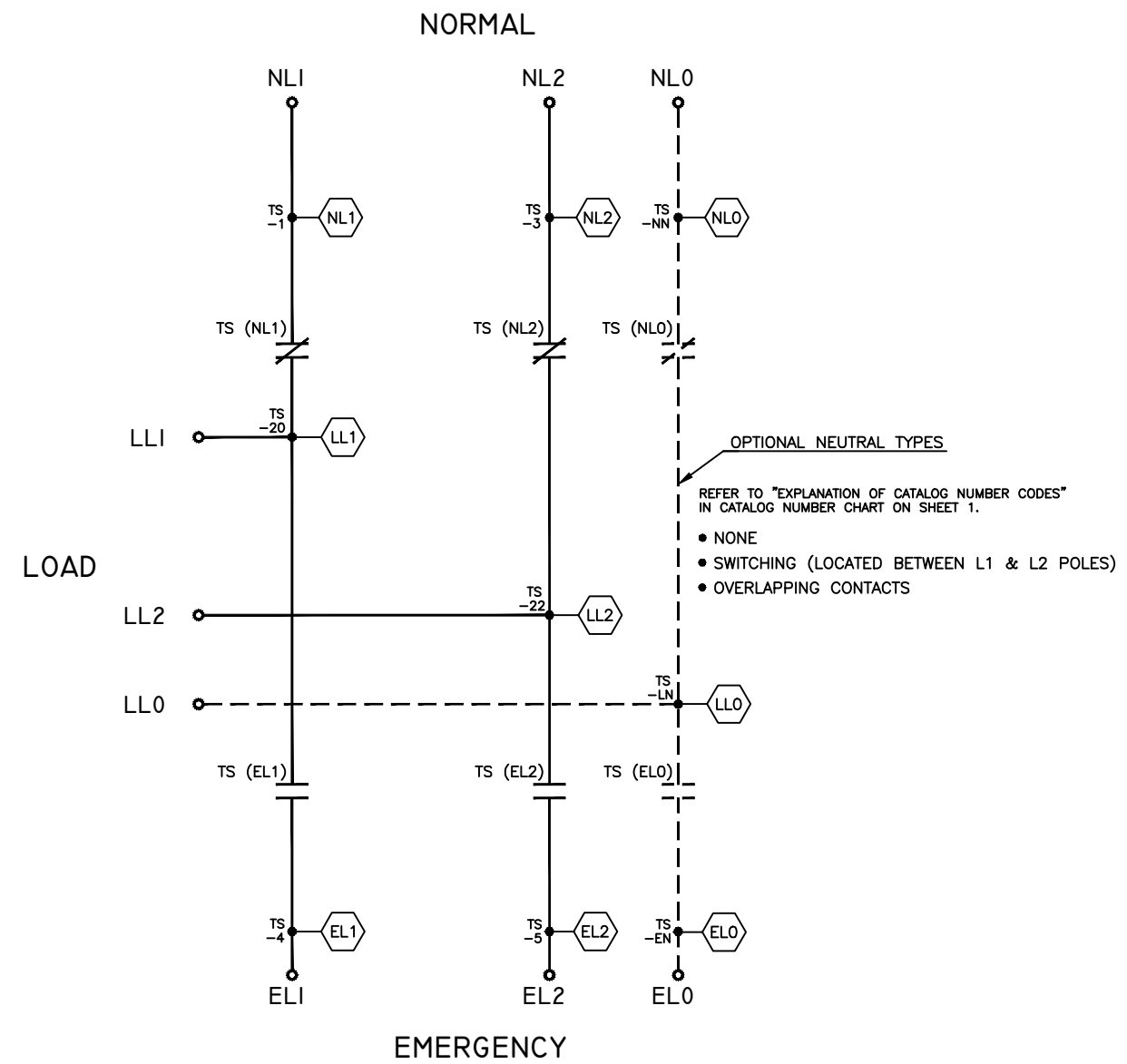
UNLESS OTHERWISE SPECIFIED -
 1) DIMENSIONS ARE IN INCHES
 2) TOLERANCES ARE:
 .000 ± .010 ANGLES ± 1/2°
 .001 ± .003 SURFACE FINISH
 .001 ± .002 MAX.
 FRACTIONS ±

KOHLER
KOHLER, WI 53044
 THIS DRAWING, IN DESIGN AND DETAIL, IS KOHLER CO. PROPERTY AND
 MUST NOT BE USED EXCEPT IN CONNECTION WITH KOHLER CO. WORK.
 ALL RIGHTS OF DESIGN OR INVENTION ARE RESERVED.

DIAGRAM ELECTRICAL
400A RXT 3PH, 3P
 PWA. NO. GM115964

REV	DATE	REVISION	BY
-	12-04-20	NEW DRAWING [CT208600]	DJY

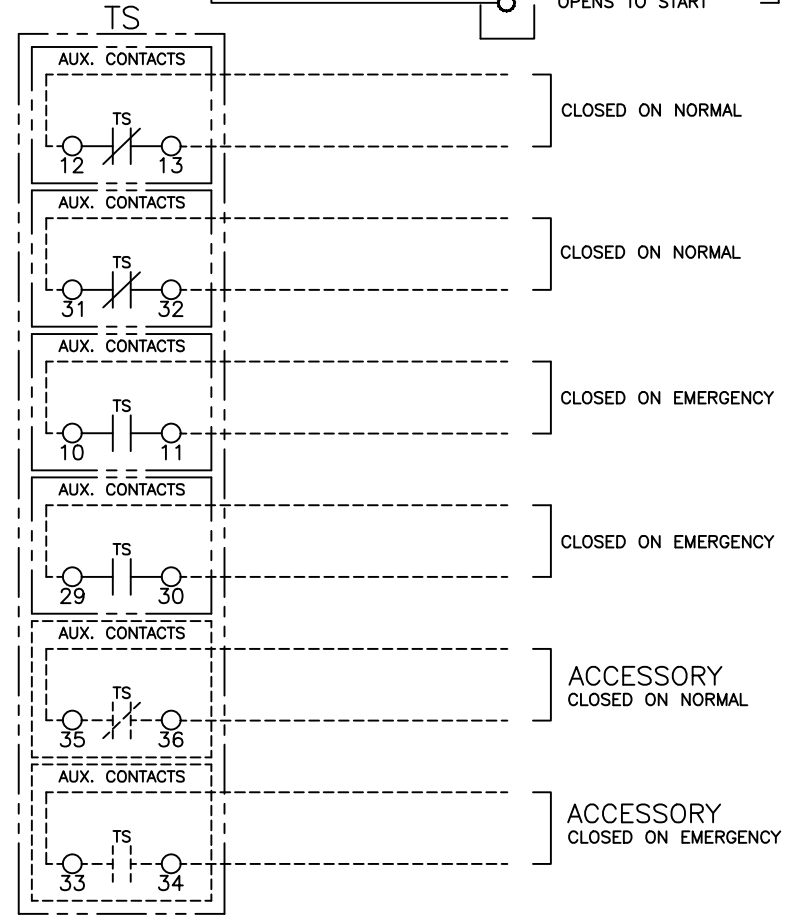
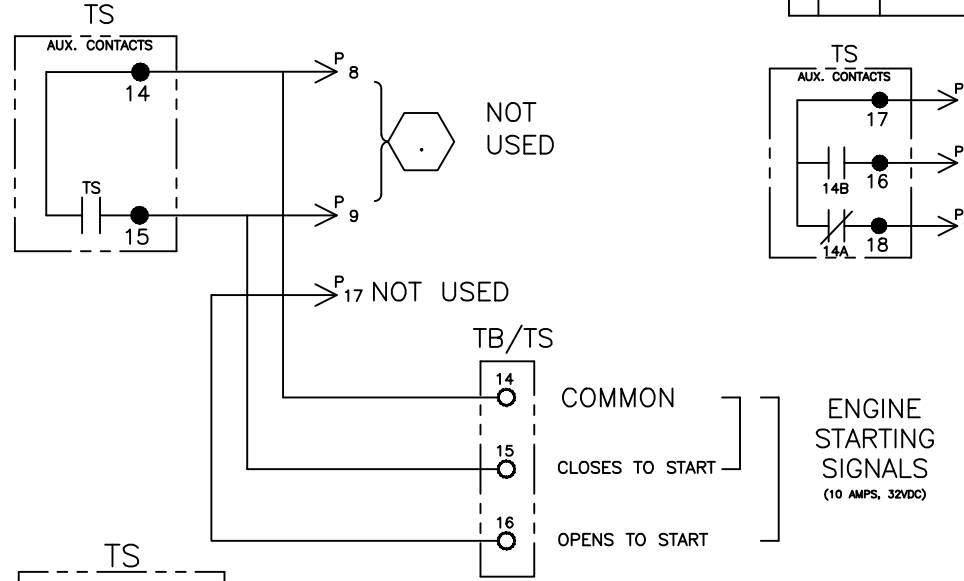
MAIN POWER POLES



NOTE:
TS SHOWN CLOSED ON NORMAL SOURCE.

- GENERAL NOTES**
1. SWITCH SHOWN DE-ENERGIZED AND CONNECTED TO THE NORMAL SOURCE.
 2. DEVICE SYMBOLS AND DESIGNATIONS ARE IN ACCORDANCE WITH NEMA PUBLICATION ICS 1-1983, PART 1-101A.
 3. ALL WIRING IS #16 AWG, TINNED, STRANDED COPPER UNLESS OTHERWISE INDICATED.

AUXILIARY CONTACTS



**TS
AUXILIARY
CONTACTS
FEATURE**
(10 AMPS, 32VDC)
(10 AMPS, 250VAC)
GENERAL PURPOSE

**OPTIONAL
TS
AUXILIARY
CONTACTS
ACCESSORIES**
(10 AMPS, 32VDC)
(10 AMPS, 250VAC)
GENERAL PURPOSE

UNLESS OTHERWISE SPECIFIED -		KOHLER.	
1) DIMENSIONS ARE IN INCHES	2) TOLERANCES ARE:	KOHLER, WI 53044	
FRACTIONS ±	DECIMALS ±	THIS DRAWING, IN DESIGN AND DETAIL, IS KOHLER CO. PROPERTY AND MUST NOT BE USED EXCEPT IN CONNECTION WITH KOHLER CO. WORK. ALL RIGHTS OF DESIGN OR INVENTION ARE RESERVED.	
APPROVALS	DATE	TITLE	
DESIGN DJY	12-04-20	DIAGRAM ELECTRICAL	
CHECKED DJY	12-04-20	SCALE	SHEET 2-2
APPROVED DJY	12-04-20	PERMITTED	GM115964 D