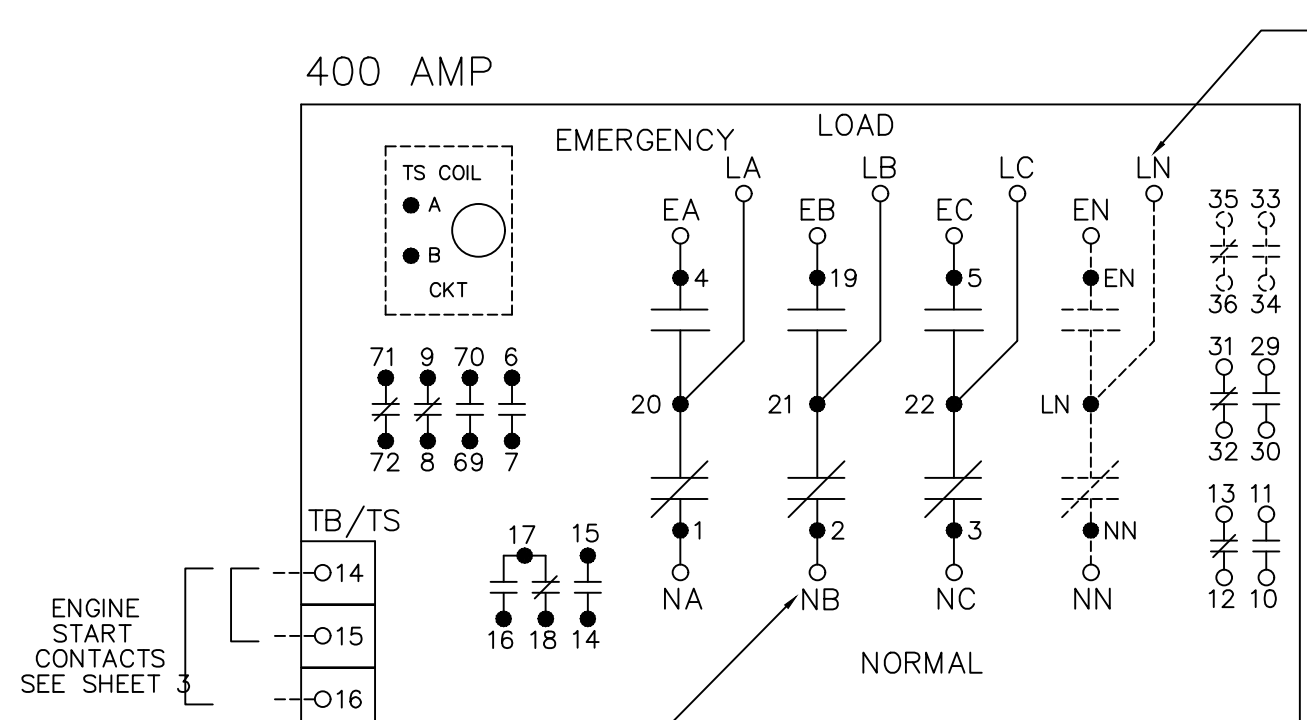


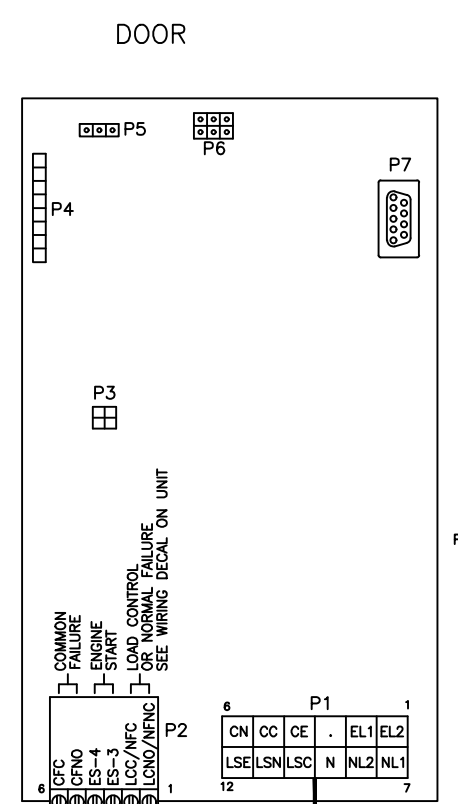
| REV | DATE | REVISION | BY | IT |
|-----|----------|------------------------|-----|----|
| - | 12-04-20 | NEW DRAWING [CT208600] | DJY | |
| | | | | |
| | | | | |
| | | | | |



OPTIONAL SWITCHING NEUTRAL

OPTIONAL TS AUXILIARY CONTACTS ACCESSORY

TS AUXILIARY CONTACTS FEATURE



P1 CONNECTIONS

| PIN# | WIRE | TERMINAL |
|------|------|-----------|
| 1 | EL2 | (J1A-6) |
| 2 | EL1 | (J1A-7) |
| 3 | N/C | . |
| 4 | CE | (J1A-1) |
| 5 | CC | (J1A-2) |
| 6 | CN | (J1A-3) |
| 7 | NL1 | (J1A-12) |
| 8 | NL2 | (J1A-4) |
| 9 | N | (NEUTRAL) |
| 10 | LSC | (J1A-10) |
| 11 | LSN | (J1A-14) |
| 12 | LSE | (J1A-13) |

J1A CONNECTIONS (CONTACTOR TO MAIN LOGIC BOARD)

| PIN #1 | WIRE | TERMINAL | WIRE | TERMINAL |
|--------|------|-----------|------|-------------|
| 1 | CE | (P1-4) | 13 | LSE (P1-12) |
| 2 | CC | (P1-5) | 14 | LSN (P1-11) |
| 3 | CN | (P1-6) | 15 | N/C . |
| 4 | NL2 | (P1-8) | 16 | N/C . |
| 5 | N1 | (NEUTRAL) | 17 | N/C . |
| 6 | EL2 | (P1-1) | 18 | N/C . |
| 7 | EL1 | (P1-2) | 19 | N/C . |
| 8 | N/C | . | 20 | N/C . |
| 9 | N/C | . | 21 | N/C . |
| 10 | LSC | (P1-10) | 22 | N/C . |
| 11 | N/C | . | 23 | N/C . |
| 12 | NL1 | (P1-7) | 24 | N/C . |

J1 CONNECTIONS (CONTACTOR TO MAIN LOGIC BOARD)

| PIN #1 | WIRE | TERMINAL | WIRE | TERMINAL |
|--------|------|----------|------|-------------|
| 1 | CE | (TS-8) | 13 | LSE (TS-16) |
| 2 | CC | (TS-A) | 14 | LSN (TS-18) |
| 3 | CN | (TS-6) | 15 | N/C . |
| 4 | NL2 | (NC) | 16 | N/C . |
| 5 | N1 | (TS-B) | 17 | N/C . |
| 6 | EL2 | (EC) | 18 | N/C . |
| 7 | EL1 | (EA) | 19 | N/C . |
| 8 | N/C | . | 20 | N/C . |
| 9 | N/C | . | 21 | N/C . |
| 10 | LSC | (TS-17) | 22 | N/C . |
| 11 | N/C | . | 23 | N/C . |
| 12 | NL1 | (NA) | 24 | N/C . |

- LEGEND**
- BR BRIDGE RECTIFIER
 - C COIL
 - CE TRANSFER COIL (EMERGENCY TRANSFER)
 - CN TRANSFER COIL (NORMAL TRANSFER)
 - K4 NORMAL RELAY CONTACTS
 - K5 EMERGENCY RELAY CONTACTS
 - LSE LIMITS SWITCH EMERGENCY CONTACTS
 - LSN LIMIT SWITCH NORMAL CONTACTS
 - P1 CONNECTOR

UNLESS OTHERWISE SPECIFIED -
 1) DIMENSIONS ARE IN INCHES
 2) TOLERANCES ARE:
 .001 ± .001 SURFACE FINISH
 .002 ± .002 SURFACE FINISH
 .005 ± .005 SURFACE FINISH
 .010 ± .010 SURFACE FINISH
 .020 ± .020 SURFACE FINISH
 .050 ± .050 SURFACE FINISH
 .100 ± .100 SURFACE FINISH
 .200 ± .200 SURFACE FINISH
 .500 ± .500 SURFACE FINISH
 1.000 ± 1.000 SURFACE FINISH
 2.000 ± 2.000 SURFACE FINISH
 5.000 ± 5.000 SURFACE FINISH
 10.000 ± 10.000 SURFACE FINISH
 25.000 ± 25.000 SURFACE FINISH
 50.000 ± 50.000 SURFACE FINISH
 100.000 ± 100.000 SURFACE FINISH
 250.000 ± 250.000 SURFACE FINISH
 500.000 ± 500.000 SURFACE FINISH
 1000.000 ± 1000.000 SURFACE FINISH

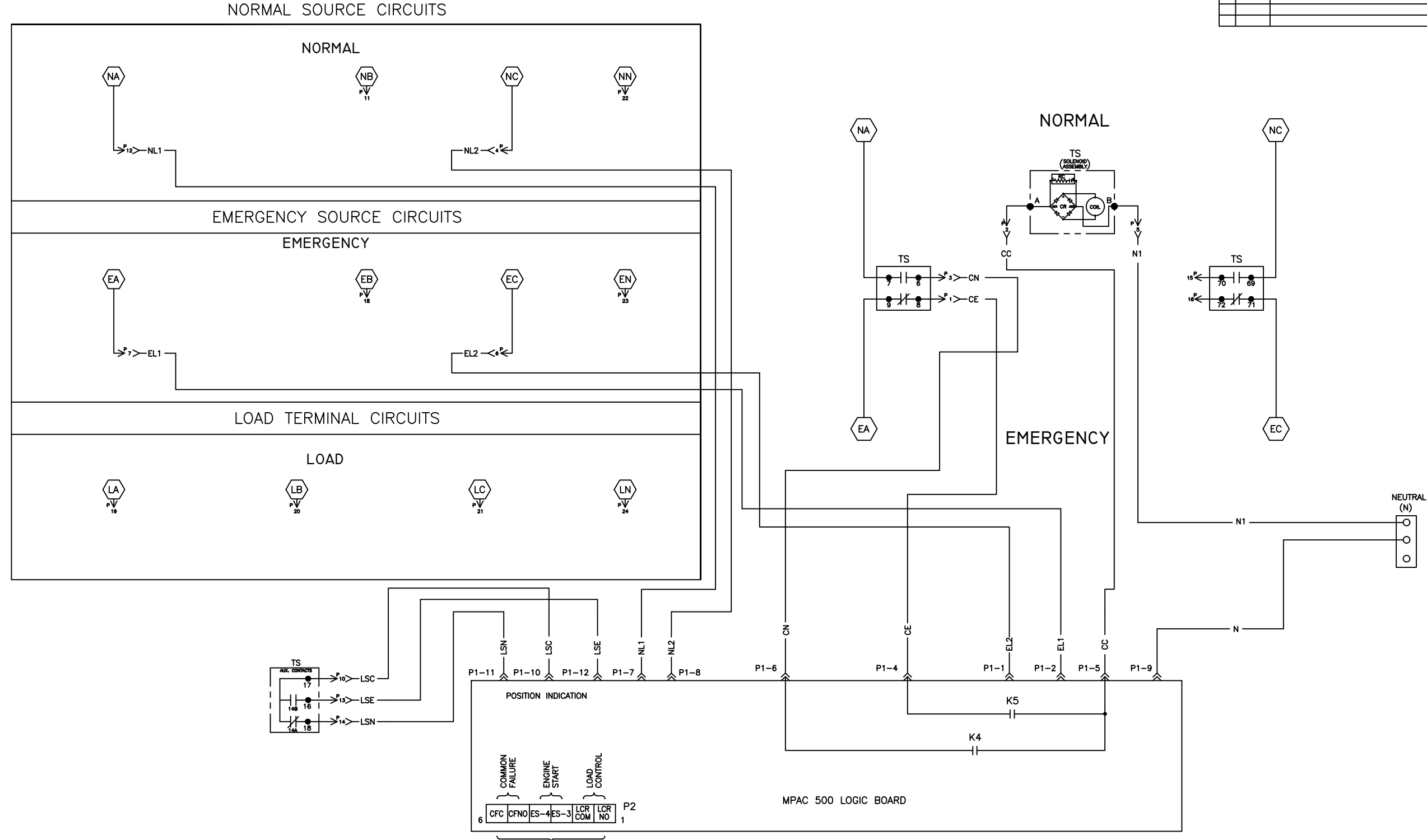
KOHLER
 KOHLER, WI 53044
 THIS DRAWING, IN DESIGN AND DETAIL, IS KOHLER CO. PROPERTY AND
 MUST NOT BE USED EXCEPT IN CONNECTION WITH KOHLER CO. WORK.
 ALL RIGHTS OF DESIGN OR INVENTION ARE RESERVED.

DIAGRAM ELECTRICAL
400A RDT 1PH

| APPROVALS | DATE | SCALE | SHEET |
|--------------|----------|-------|-------|
| DRAWN DJY | 12-04-20 | /// | 1-3 |
| CHECKED DJY | 12-04-20 | | |
| APPROVED DJY | 12-04-20 | | |

PIN NO. **GM115966** D

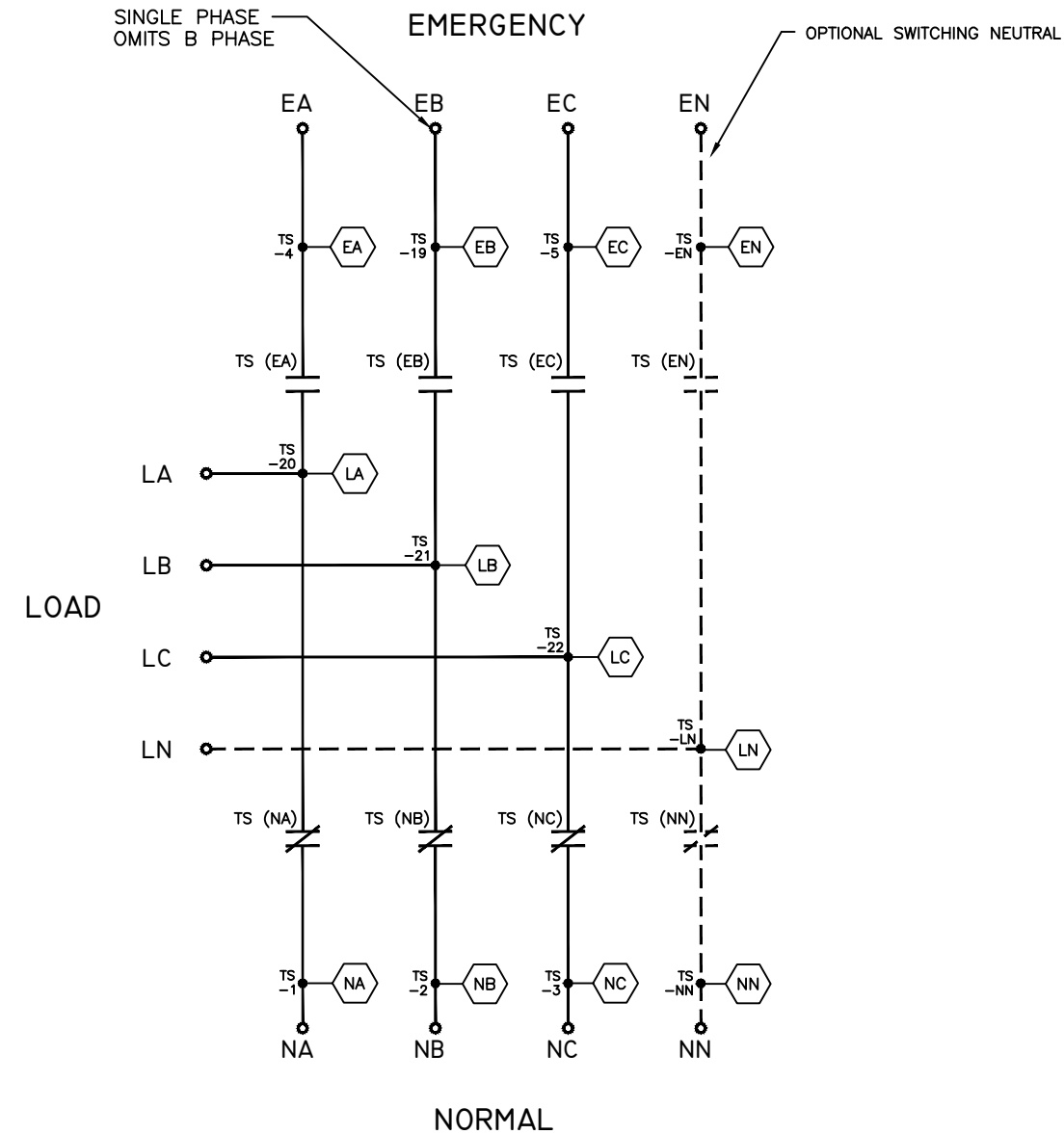
| REV | DATE | REVISION | BY |
|-----|----------|------------------------|-----|
| - | 12-04-20 | NEW DRAWING [CT208600] | DJY |
| | | | |
| | | | |
| | | | |
| | | | |



| | | | |
|--|--|---|--|
| UNLESS OTHERWISE SPECIFIED - 1) DIMENSIONS ARE IN INCHES 2) TOLERANCES ARE: FRACTIONS ± .010 DECIMALS ± .030 SURFACE FINISH Z ± .000 MAX. | | KOHLER KOHLER, WI 53044 THIS DRAWING, IN DESIGN AND DETAIL, IS KOHLER CO. PROPERTY AND MUST NOT BE USED EXCEPT IN CONNECTION WITH KOHLER CO. WORK. ALL RIGHTS OF DESIGN OR INVENTION ARE RESERVED. | |
| APPROVALS: DJY 12-04-20 CHECKED: DJY 12-04-20 APPROVED: DJY 12-04-20 | | TITLE: DIAGRAM ELECTRICAL 400A RDT 1PH SCALE: /// SHEET: 2-3 PLOT NO.: GM115966 D | |

| REV | DATE | REVISION | BY | CHK |
|-----|----------|------------------------|-----|-----|
| - | 12-04-20 | NEW DRAWING [CT208600] | DJY | |
| | | | | |
| | | | | |
| | | | | |
| | | | | |

MAIN POWER POLES

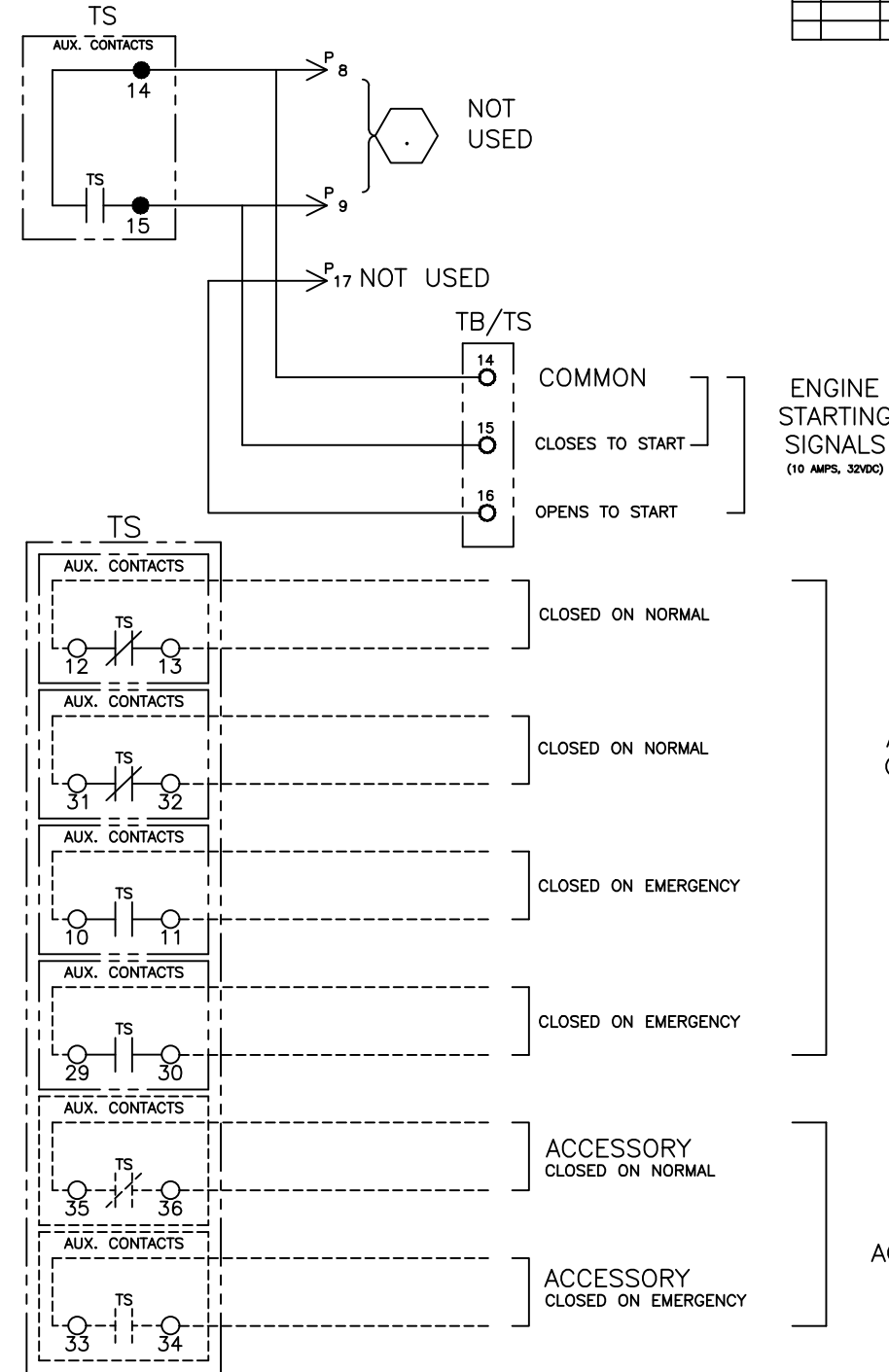


NOTE:
ATS SHOWN CLOSED ON NORMAL SOURCE.

GENERAL NOTES

1. SWITCH SHOWN DE-ENERGIZED AND CONNECTED TO THE NORMAL SOURCE.
2. DEVICE SYMBOLS AND DESIGNATIONS ARE IN ACCORDANCE WITH NEMA PUBLICATION ICS 1-1983, PART 1-101A.
3. ALL WIRING IS #16 AWG, TINNED, STRANDED COPPER UNLESS OTHERWISE INDICATED.

AUXILIARY CONTACTS



ENGINE STARTING SIGNALS
(10 AMPS, 32VDC)

TS AUXILIARY CONTACTS FEATURE
(10 AMPS, 32VDC)
(10 AMPS, 480VAC)
GENERAL PURPOSE

OPTIONAL TS AUXILIARY CONTACTS ACCESSORIES
(10 AMPS, 32VDC)
(10 AMPS, 480VAC)
GENERAL PURPOSE

| | | | |
|--|-------------|--|--------------------------|
| UNLESS OTHERWISE SPECIFIED - 1) DIMENSIONS ARE IN INCHES 2) TOLERANCES ARE: FRACTIONS ± | | KOHLER. KOHLER, WI 53044 THIS DRAWING IS DESIGN AND DETAIL IS KOHLER CO. PROPERTY AND NEED NOT BE USED EXCEPT IN CONNECTION WITH KOHLER CO. WORK. ALL RIGHTS OF DESIGN OR INVENTION ARE RESERVED. | |
| SIZE: 3/16 | ANGLE: 1/2" | TITLE: DIAGRAM ELECTRICAL 400A RDT 1PH | |
| APPROVALS | DATE | SCALE: /// | SHEET: 3-3 |
| DESIGN: DJY | 12-04-20 | PLOTTED: // | REV. NO. GM115966 |
| CHECKED: DJY | 12-04-20 | | D |
| APPROVED: DJY | 12-04-20 | | |