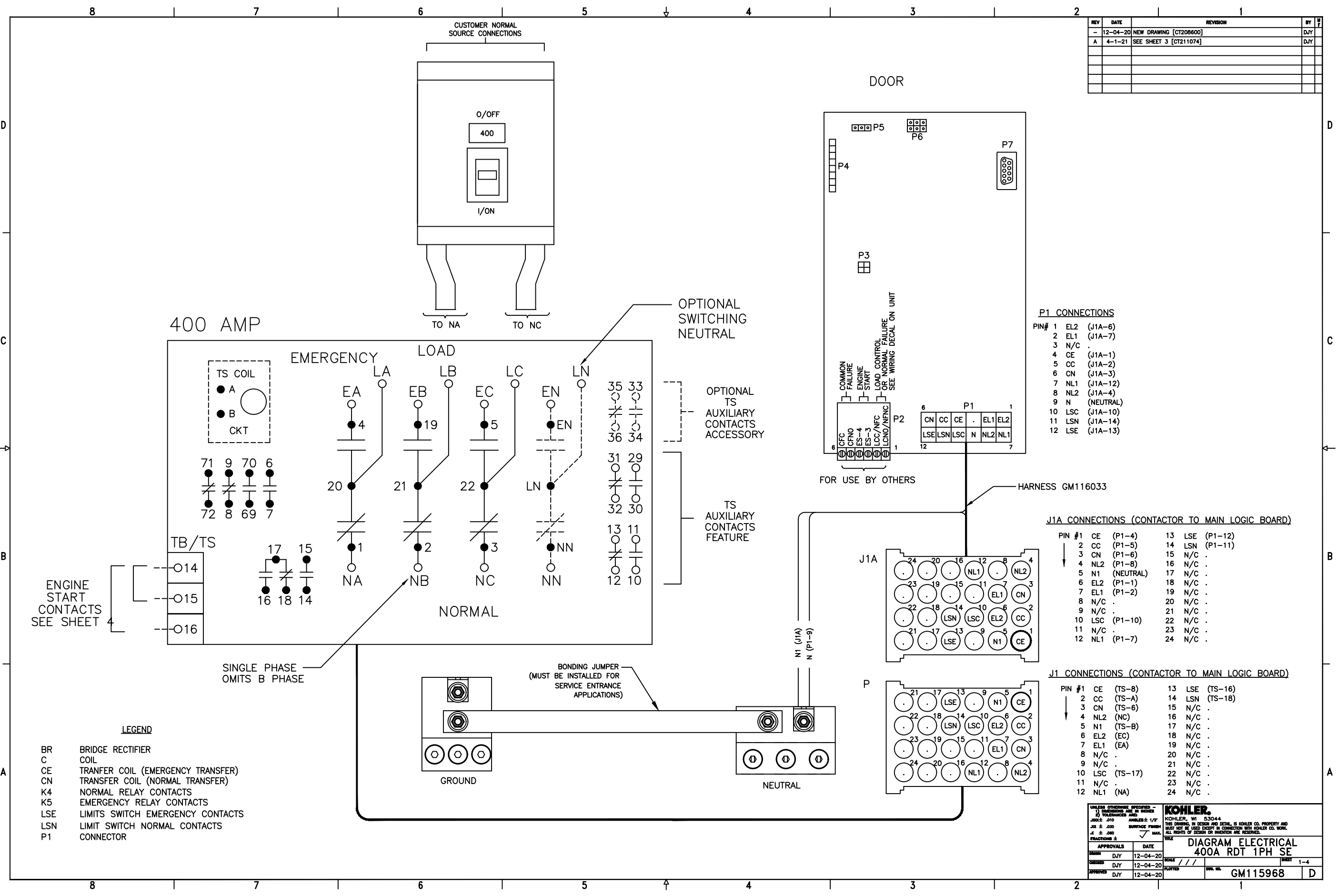


REV	DATE	REVISION	BY
-	12-04-20	NEW DRAWING [CT208600]	DJY
A	4-1-21	SEE SHEET 3 [CT211074]	DJY



P1 CONNECTIONS

PIN#	1	2	3	4	5	6	7	8	9	10	11	12
EL2	(J1A-6)	EL1	(J1A-7)	N/C	CE	(J1A-1)	CC	(J1A-2)	CN	(J1A-3)	NL1	(J1A-12)
NL2	(J1A-4)	N	(NEUTRAL)	LSC	(J1A-10)	LSN	(J1A-14)	LSE	(J1A-13)			

J1A CONNECTIONS (CONTACTOR TO MAIN LOGIC BOARD)

PIN #	1	2	3	4	5	6	7	8	9	10	11	12	13	14	15	16	17	18	19	20	21	22	23	24	
CE	(P1-4)	CC	(P1-5)	CN	(P1-6)	NL2	(P1-8)	N1	(NEUTRAL)	EL2	(P1-1)	EL1	(P1-2)	N/C	N/C	N/C	N/C	N/C	N/C	N/C	N/C	N/C	N/C	N/C	N/C
LSE	(P1-12)	LSN	(P1-11)	N/C	N/C	N/C	N/C	N/C	N/C	N/C	N/C	N/C	N/C	N/C	N/C	N/C	N/C	N/C	N/C	N/C	N/C	N/C	N/C	N/C	

J1 CONNECTIONS (CONTACTOR TO MAIN LOGIC BOARD)

PIN #	1	2	3	4	5	6	7	8	9	10	11	12	13	14	15	16	17	18	19	20	21	22	23	24
CE	(TS-8)	CC	(TS-A)	CN	(TS-6)	NL2	(NC)	N1	(TS-B)	EL2	(EC)	EL1	(EA)	N/C	N/C	N/C	N/C	N/C	N/C	N/C	N/C	N/C	N/C	N/C
LSE	(TS-16)	LSN	(TS-18)	N/C	N/C	N/C	N/C	N/C	N/C	N/C	N/C	N/C	N/C	N/C	N/C	N/C	N/C	N/C	N/C	N/C	N/C	N/C	N/C	N/C

- LEGEND**
- BR BRIDGE RECTIFIER
 - C COIL
 - CE TRANSFER COIL (EMERGENCY TRANSFER)
 - CN TRANSFER COIL (NORMAL TRANSFER)
 - K4 NORMAL RELAY CONTACTS
 - K5 EMERGENCY RELAY CONTACTS
 - LSE LIMITS SWITCH EMERGENCY CONTACTS
 - LSN LIMIT SWITCH NORMAL CONTACTS
 - P1 CONNECTOR

UNLESS OTHERWISE SPECIFIED -
 1) DIMENSIONS ARE IN INCHES
 2) TOLERANCES ARE:
 .002 ± .010 ANGLES ± 1/2°
 .001 ± .005 SURFACE FINISH
 .001 ± .005 HOLE FINISH
 FRACTIONS ± .001

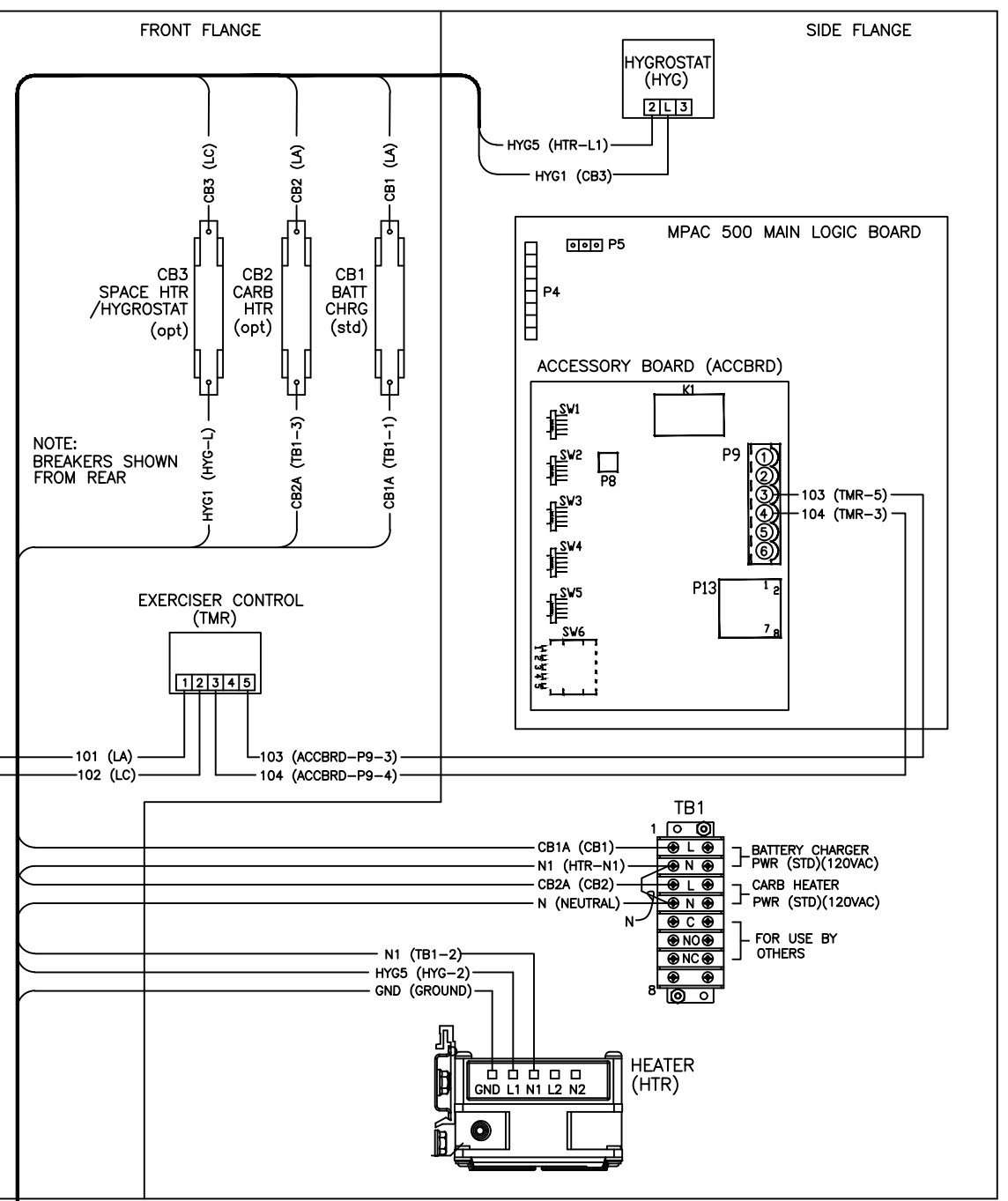
KOHLER, WI 53044
 THIS DRAWING, IN WHOLE OR IN PART, IS KOHLER CO. PROPERTY AND
 MUST NOT BE USED EXCEPT IN CONNECTION WITH KOHLER CO. WORK.
 ALL RIGHTS OF DESIGN OR INVENTION ARE RESERVED.

APPROVALS	DATE	SCALE	SHEET
DESIGNED DJY	12-04-20	///	1-4
CHECKED DJY	12-04-20	///	1-4
APPROVED DJY	12-04-20	///	1-4

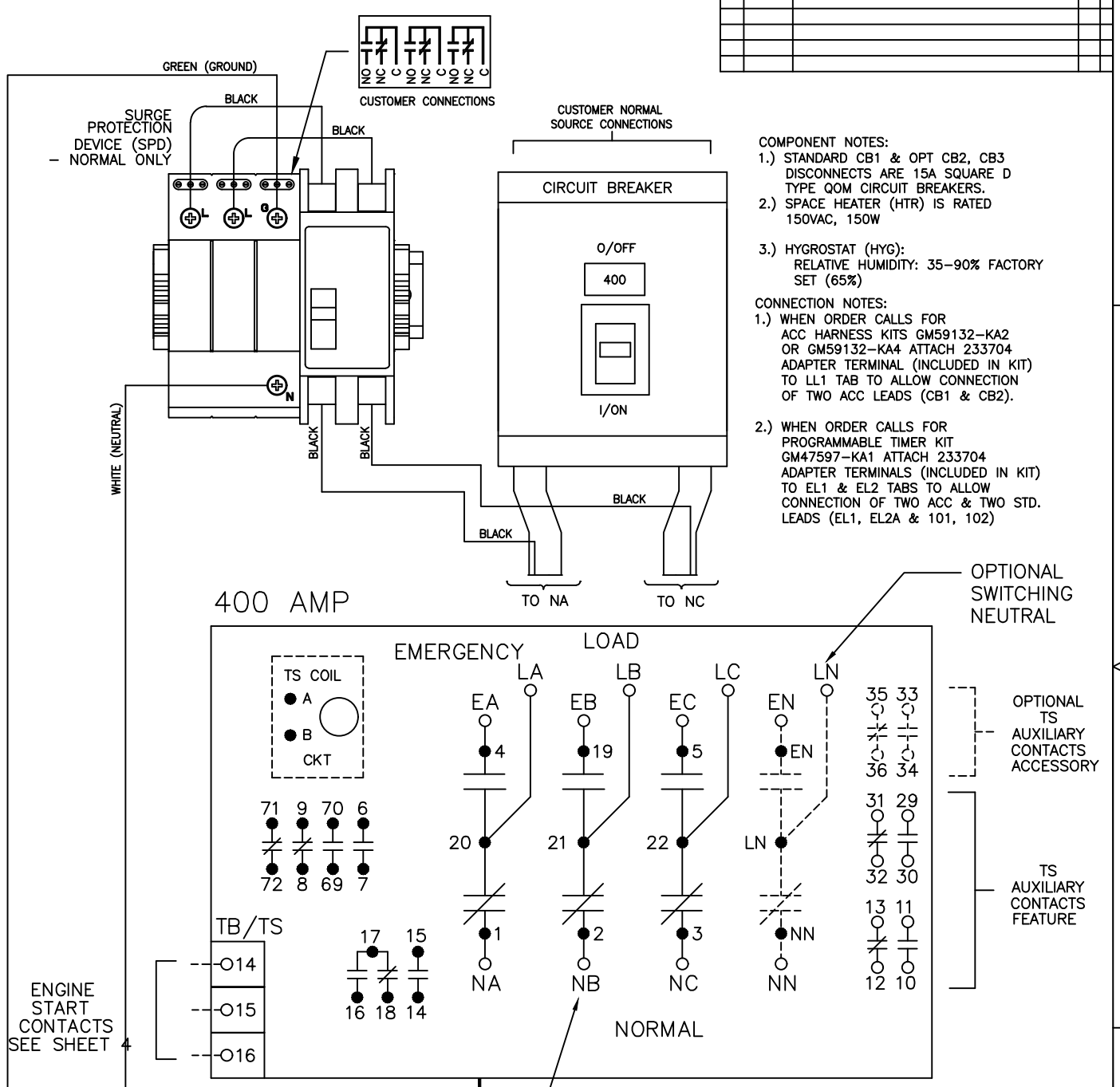
DIAGRAM ELECTRICAL
400A RDT 1PH SE
 PWA. NO. GM115968 D

REV	DATE	REVISION	BY
-	12-04-20	NEW DRAWING [CT208600]	DJY
A	4-1-21	SEE SHEET 3 [CT211074]	DJY

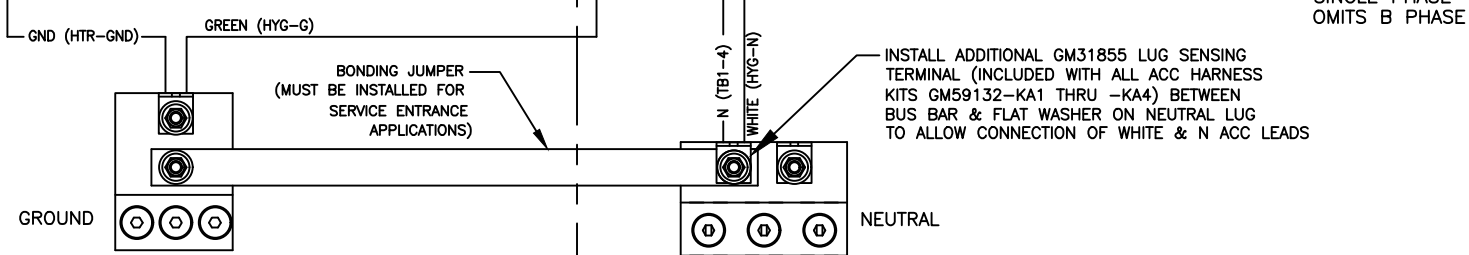
LEFT SIDE WALL



REAR PANEL

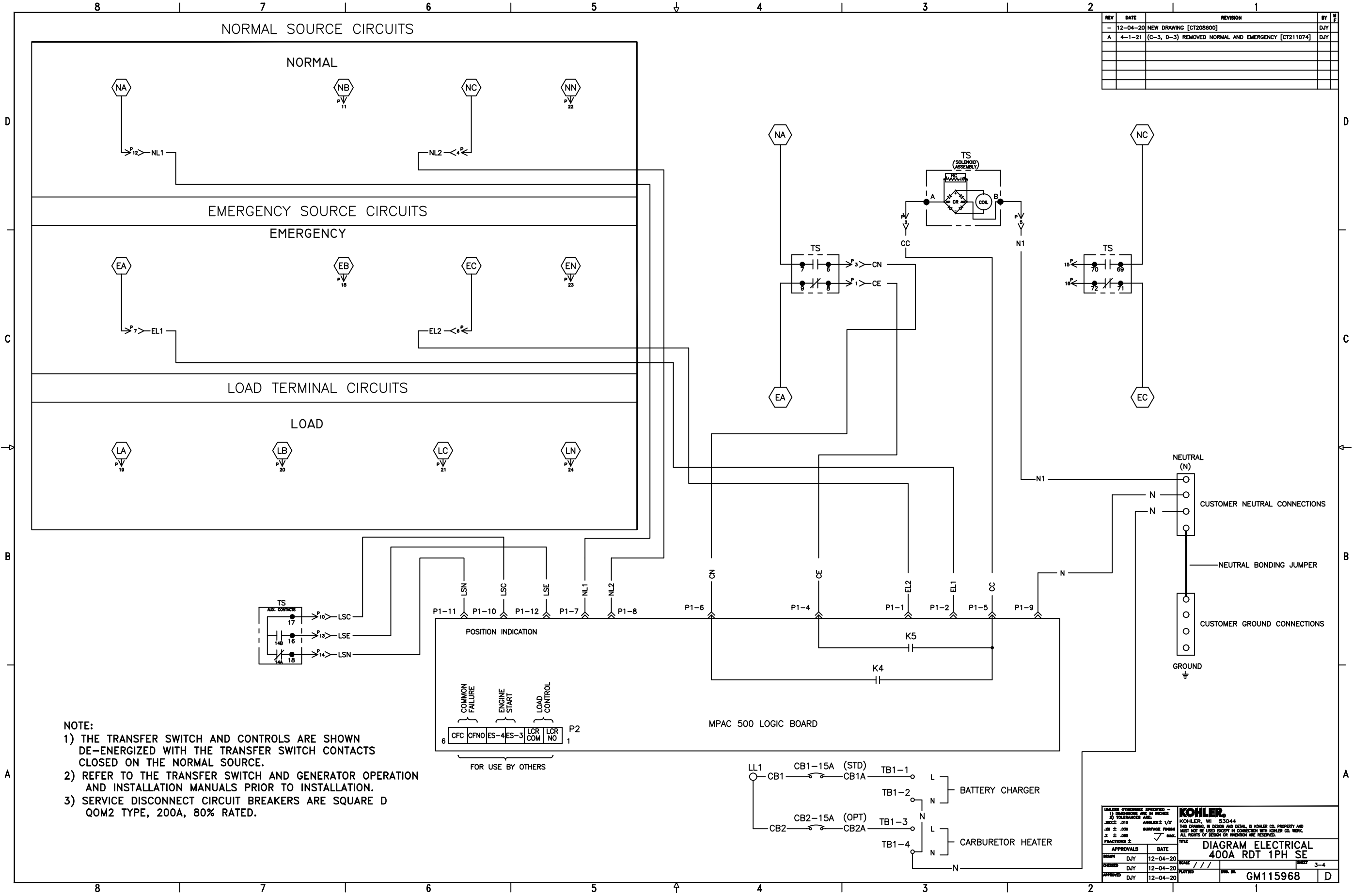


- COMPONENT NOTES:
- STANDARD CB1 & OPT CB2, CB3 DISCONNECTS ARE 15A SQUARE D TYPE QOM CIRCUIT BREAKERS.
 - SPACE HEATER (HTR) IS RATED 150VAC, 150W
 - HYGROSTAT (HYG):
RELATIVE HUMIDITY: 35-90% FACTORY SET (65%)
- CONNECTION NOTES:
- WHEN ORDER CALLS FOR ACC HARNESS KITS GM59132-KA2 OR GM59132-KA4 ATTACH 233704 ADAPTER TERMINAL (INCLUDED IN KIT) TO LL1 TAB TO ALLOW CONNECTION OF TWO ACC LEADS (CB1 & CB2).
 - WHEN ORDER CALLS FOR PROGRAMMABLE TIMER KIT GM47597-KA1 ATTACH 233704 ADAPTER TERMINALS (INCLUDED IN KIT) TO EL1 & EL2 TABS TO ALLOW CONNECTION OF TWO ACC & TWO STD. LEADS (EL1, EL2A & 101, 102)



UNLESS OTHERWISE SPECIFIED - 1) DIMENSIONS ARE IN INCHES 2) TOLERANCES ARE: FRACTIONS ± .010 DECIMALS ± .010 ANGLES ± 1/2° HOLE SURFACE FINISH ± .000 FRACTIONS ± .010 DECIMALS ± .010		KOHLER. KOHLER, WI 53044 THIS DRAWING, IN DESIGN AND DETAIL, IS KOHLER CO. PROPERTY AND MUST NOT BE USED EXCEPT IN CONNECTION WITH KOHLER CO. WORK. ALL RIGHTS OF DESIGN OR INVENTION ARE RESERVED. TITLE DIAGRAM ELECTRICAL 400A RDT 1PH SE SCALE: / / / SHEET 2-4 PART NO. GM115968 D	
APPROVALS	DATE	SCALE	SHEET
DRAWN DJY	12-04-20		2-4
CHECKED DJY	12-04-20		
APPROVED DJY	12-04-20		

REV	DATE	REVISION	BY
-	12-04-20	NEW DRAWING [CT20860]	DJY
A	4-1-21	(C-3, D-3) REMOVED NORMAL AND EMERGENCY [CT211074]	DJY



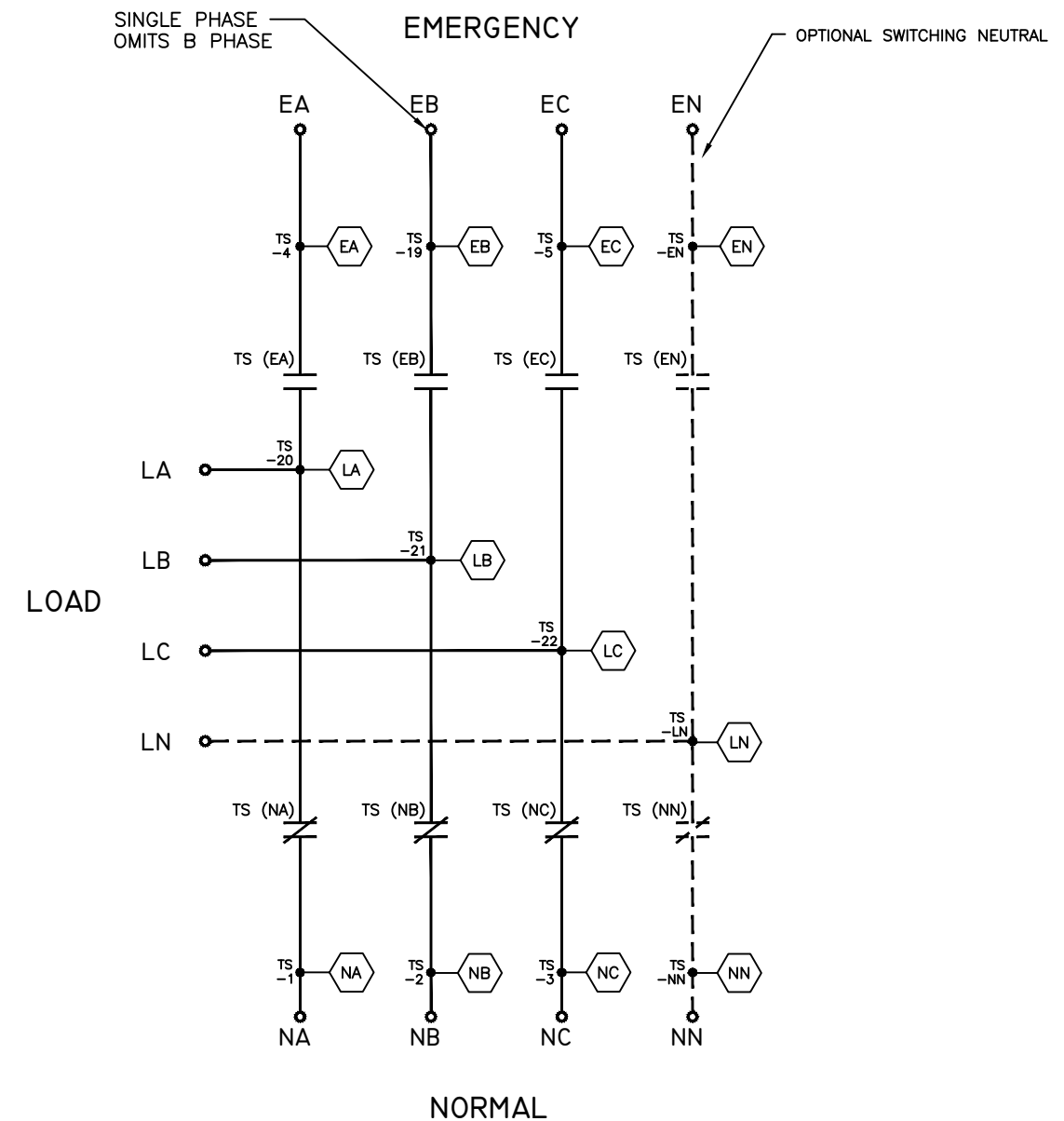
NOTE:

- 1) THE TRANSFER SWITCH AND CONTROLS ARE SHOWN DE-ENERGIZED WITH THE TRANSFER SWITCH CONTACTS CLOSED ON THE NORMAL SOURCE.
- 2) REFER TO THE TRANSFER SWITCH AND GENERATOR OPERATION AND INSTALLATION MANUALS PRIOR TO INSTALLATION.
- 3) SERVICE DISCONNECT CIRCUIT BREAKERS ARE SQUARE D QOM2 TYPE, 200A, 80% RATED.

UNLESS OTHERWISE SPECIFIED - 1) DIMENSIONS ARE IN INCHES 2) TOLERANCES ARE: FRACTIONS ± .005 DECIMALS ± .030 ANGLES ± 1/2° SURFACE FINISH MAX. RA 32		KOHLER. KOHLER, WI 53044 THIS DRAWING IS DESIGN AND DETAIL, IS KOHLER CO. PROPERTY AND MAY NOT BE USED EXCEPT IN CONNECTION WITH KOHLER CO. WORK. ALL RIGHTS OF DESIGN OR INVENTION ARE RESERVED.	
APPROVALS		DATE	
DESIGNED	DJY	12-04-20	SCALE
CHECKED	DJY	12-04-20	PLOTTED
APPROVED	DJY	12-04-20	FILE NO.
		GM115968	
		D	

REV	DATE	REVISION	BY
-	12-04-20	NEW DRAWING [CT208600]	DJY
A	4-1-21	SEE SHEET 3 [CT211074]	DJY

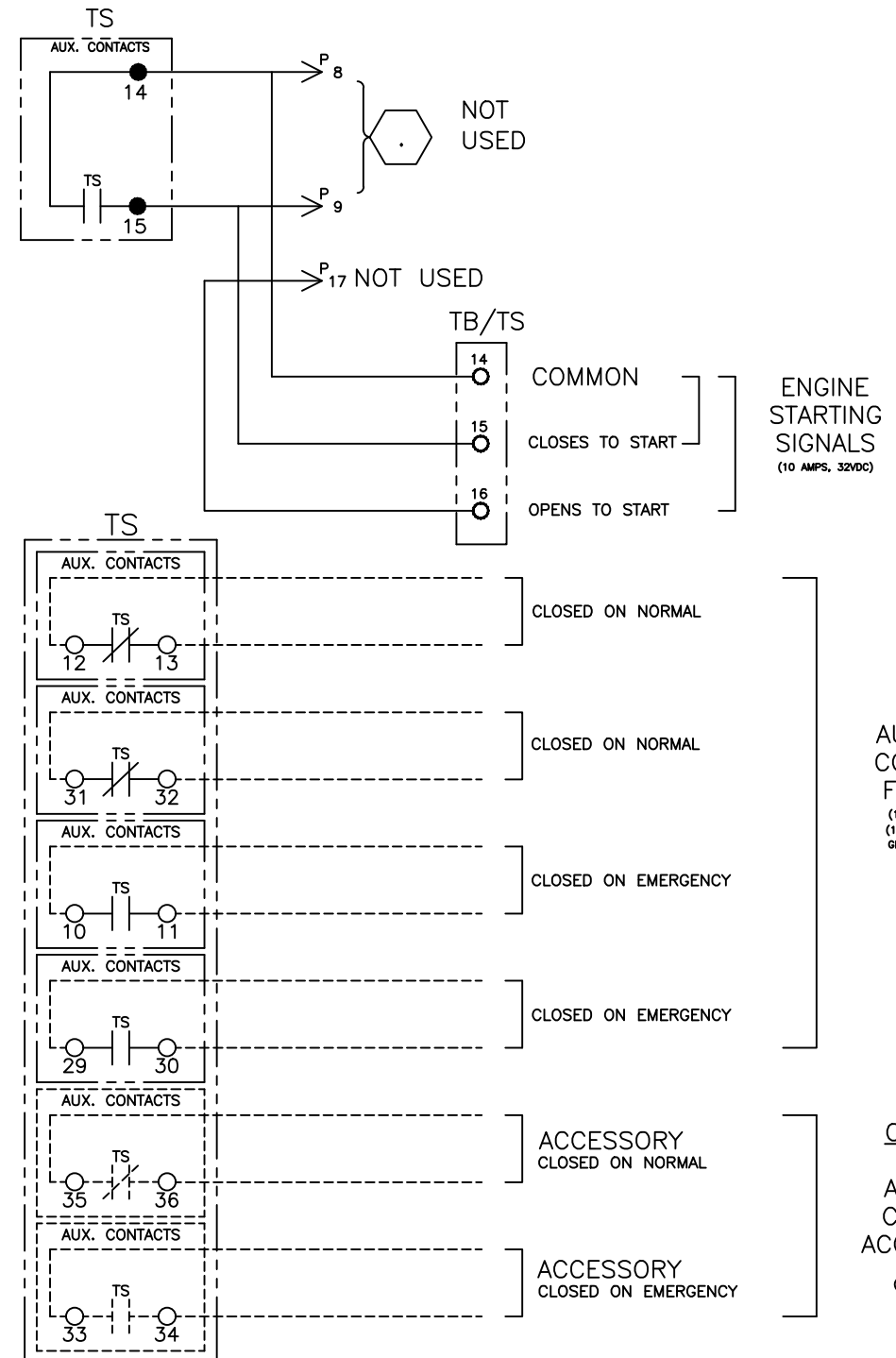
MAIN POWER POLES



NOTE:
ATS SHOWN CLOSED ON NORMAL SOURCE.

- GENERAL NOTES**
1. SWITCH SHOWN DE-ENERGIZED AND CONNECTED TO THE NORMAL SOURCE.
 2. DEVICE SYMBOLS AND DESIGNATIONS ARE IN ACCORDANCE WITH NEMA PUBLICATION ICS 1-1983, PART 1-101A.
 3. ALL WIRING IS #16 AWG, TINNED, STRANDED COPPER UNLESS OTHERWISE INDICATED.

AUXILIARY CONTACTS



ENGINE STARTING SIGNALS
(10 AMPS, 32VDC)

TS AUXILIARY CONTACTS FEATURE
(10 AMPS, 32VDC)
(10 AMPS, 480VAC)
GENERAL PURPOSE

OPTIONAL TS AUXILIARY CONTACTS ACCESSORIES
(10 AMPS, 32VDC)
(10 AMPS, 480VAC)
GENERAL PURPOSE

UNLESS OTHERWISE SPECIFIED - 1) DIMENSIONS ARE IN INCHES 2) TOLERANCES ARE: FRACTIONS ±		KOHLER KOHLER, WI 53044 THIS DRAWING IN DESIGN AND DETAIL IS KOHLER CO. PROPERTY AND MAY NOT BE USED EXCEPT IN CONNECTION WITH KOHLER CO. WORK. ALL RIGHTS OF DESIGN OR INVENTION ARE RESERVED.	
APPROVALS	DATE	TITLE	SCALE
DJY	12-04-20	DIAGRAM ELECTRICAL 400A RDT 1PH SE	4-4
DJY	12-04-20		
DJY	12-04-20		
PLOTED		FILE NO.	SHEET
		GM115968	D