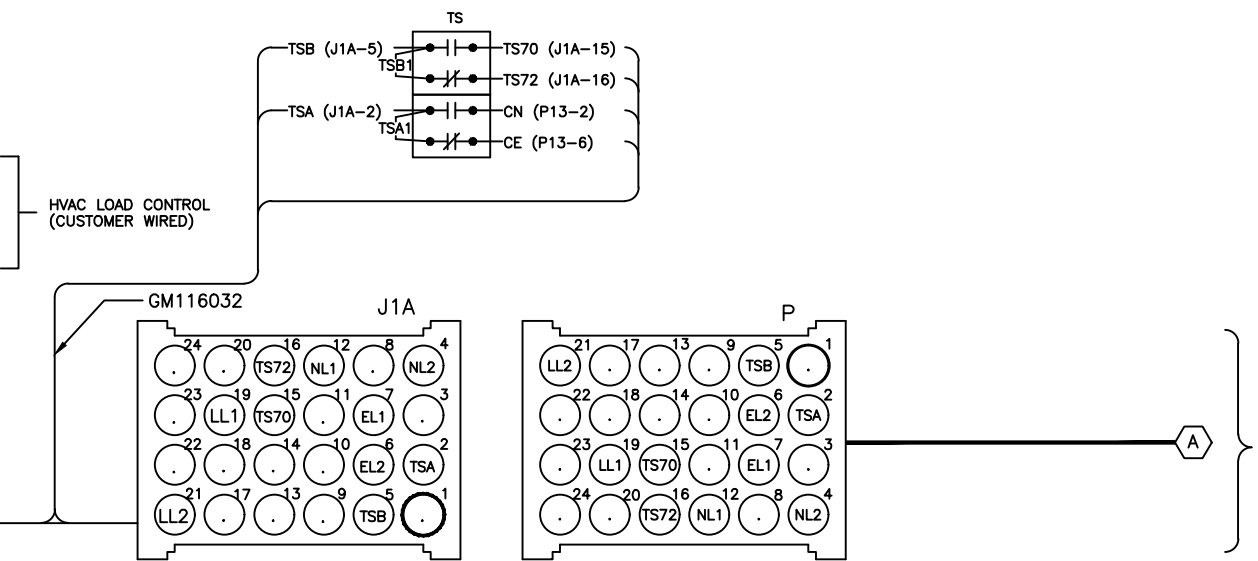
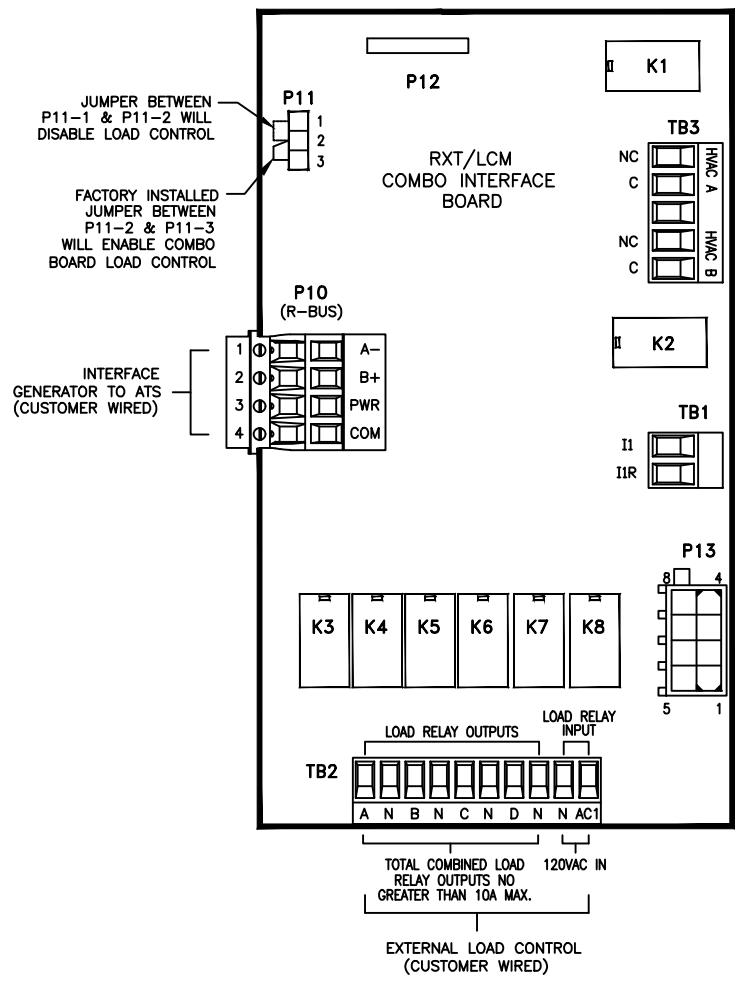


REV	DATE	REVISION	BY
-	1-25-21	NEW DRAWING [CT208600]	DJY

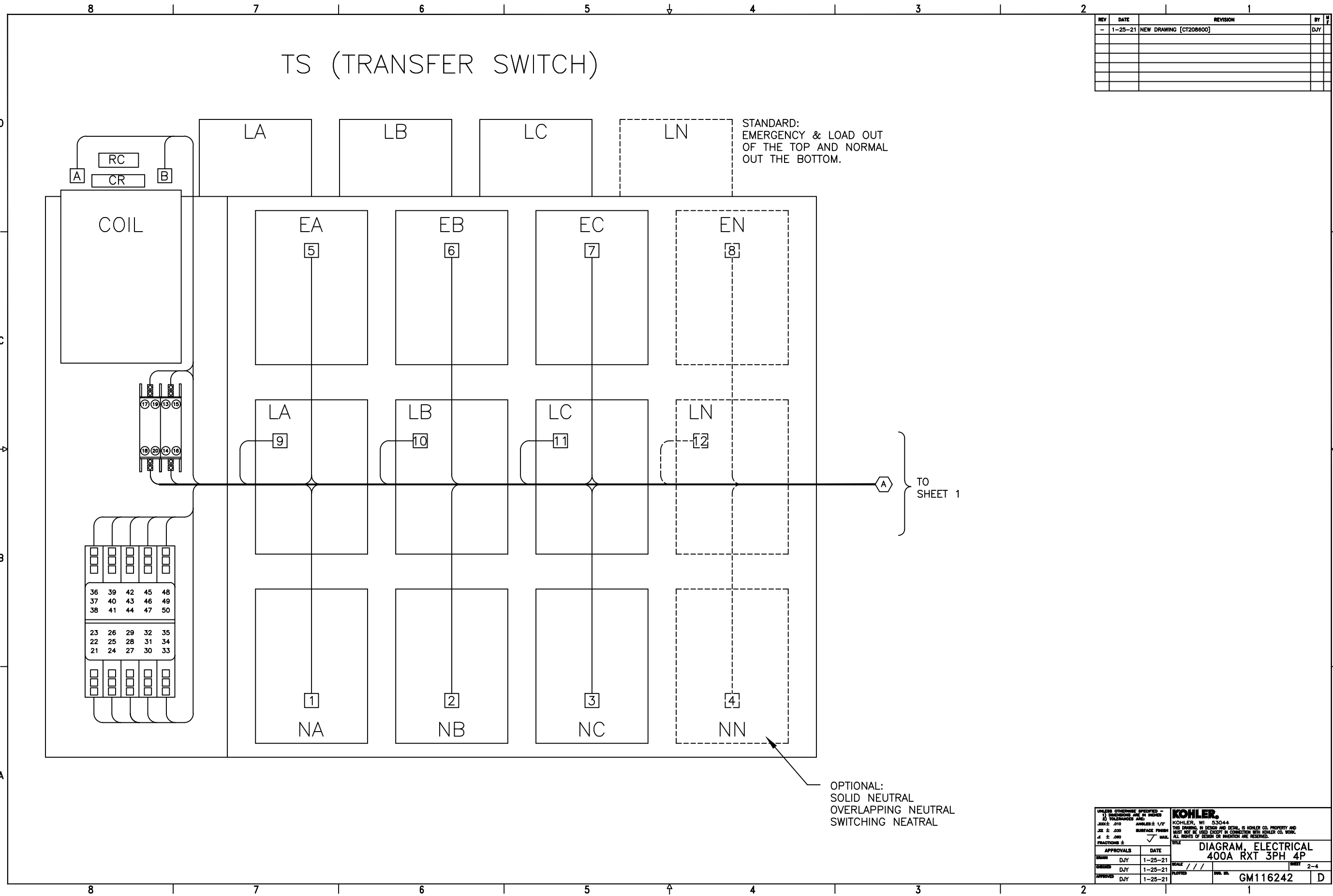
- LEGENDS**
- BID - BYPASS/ISOLATION DISPLAY
 - BP - BYPASS SWITCH
 - CR(#)- BRIDGE RECTIFIER
 - IP(#)- ISOLATION PLUG ASSEMBLY
 - IS - ISOLATION (TRANSFER SWITCH CARRIAGE POSITION)
 - J(#)- CONNECTOR (JACK)
 - K(#)- RELAY
 - LCD - LIQUID CRYSTAL DISPLAY
 - P(#)- CONNECTOR (PLUG)
 - SL(#)- SOLENOID LOCK RELAY
 - SW1 - DIP SWITCH
 - TB1 - MPAC PROGRAMMABLE INPUT/OUTPUT TERMINAL BLOCK
 - TB1-(#)- TRANSFER SWITCH TERMINAL BLOCK
 - TB2 - MPAC MODBUS TERMINAL BLOCK
 - TBF - FIELD CONNECTION TERMINAL BLOCK
 - TS - TRANSFER SWITCH



P13 CONNECTIONS		J1A CONNECTIONS (CONTACTOR TO MAIN LOGIC BOARD)		P CONNECTIONS (CONTACTOR TO MAIN LOGIC BOARD)	
PIN #1	NL2 (J1A-4)	PIN #1	N/C .	PIN #1	N/C .
2	CN (TS)	2	TSA (TS)	2	TSA (TS-A)
3	EL2 (J1A-6)	3	N/C .	3	N/C .
4	LL1 (J1A-19)	4	NL2 (P13-1)	4	NL2 (NC)
5	NL1 (J1A-12)	5	TSB (TS)	5	TSB (TS-B)
6	CE (TS)	6	EL2 (P13-3)	6	EL2 (EC)
7	EL1 (J1A-7)	7	EL1 (P13-7)	7	EL1 (EA)
8	LL2 (J1A-21)	8	N/C .	8	N/C .
		9	N/C .	9	N/C .
		10	N/C .	10	N/C .
		11	N/C .	11	N/C .
		12	NL1 (P13-5)	12	NL1 (NA)
		13	N/C .	13	N/C .
		14	N/C .	14	N/C .
		15	TS70 (TS)	15	TS70 (TS-70)
		16	TS72 (TS)	16	TS72 (TS-72)
		17	N/C .	17	N/C .
		18	N/C .	18	N/C .
		19	LL1 (P13-4)	19	LL1 (LA)
		20	N/C .	20	N/C .
		21	LL2 (P13-8)	21	LL2 (LC)
		22	N/C .	22	N/C .
		23	N/C .	23	N/C .
		24	N/C .	24	N/C .

TO SHEET 2

UNLESS OTHERWISE SPECIFIED - 1) DIMENSIONS ARE IN INCHES 2) TOLERANCES ARE: FRACTIONS ± DECIMALS ± ANGLES ± 1/2° SURFACE FINISH: MAX. DIMENSIONS ±		KOHLER. KOHLER, WI 53044 THIS DRAWING, IN DESIGN AND DETAIL, IS KOHLER CO. PROPERTY AND MUST NOT BE USED EXCEPT IN CONNECTION WITH KOHLER CO. WORK. ALL RIGHTS OF DESIGN OR INVENTION ARE RESERVED.	
DIAGRAM, ELECTRICAL 400A RXT 3PH 4P		SCALE: / / /	SHEET: 1-4
APPROVALS	DATE	PLOTTED	REV. NO.
DJY	1-25-21		GM116242
DJY	1-25-21		
DJY	1-25-21		



REV	DATE	REVISION	BY
-	1-25-21	NEW DRAWING [CT208600]	DJY

UNLESS OTHERWISE SPECIFIED -
 1) DIMENSIONS ARE IN INCHES
 2) TOLERANCES ARE:
 FRACTIONS ± .010 ANGLES ± 1/2°
 DEC ± .005 SURFACE FINISH
 ± .000 MAX.
 FRACTIONS ±

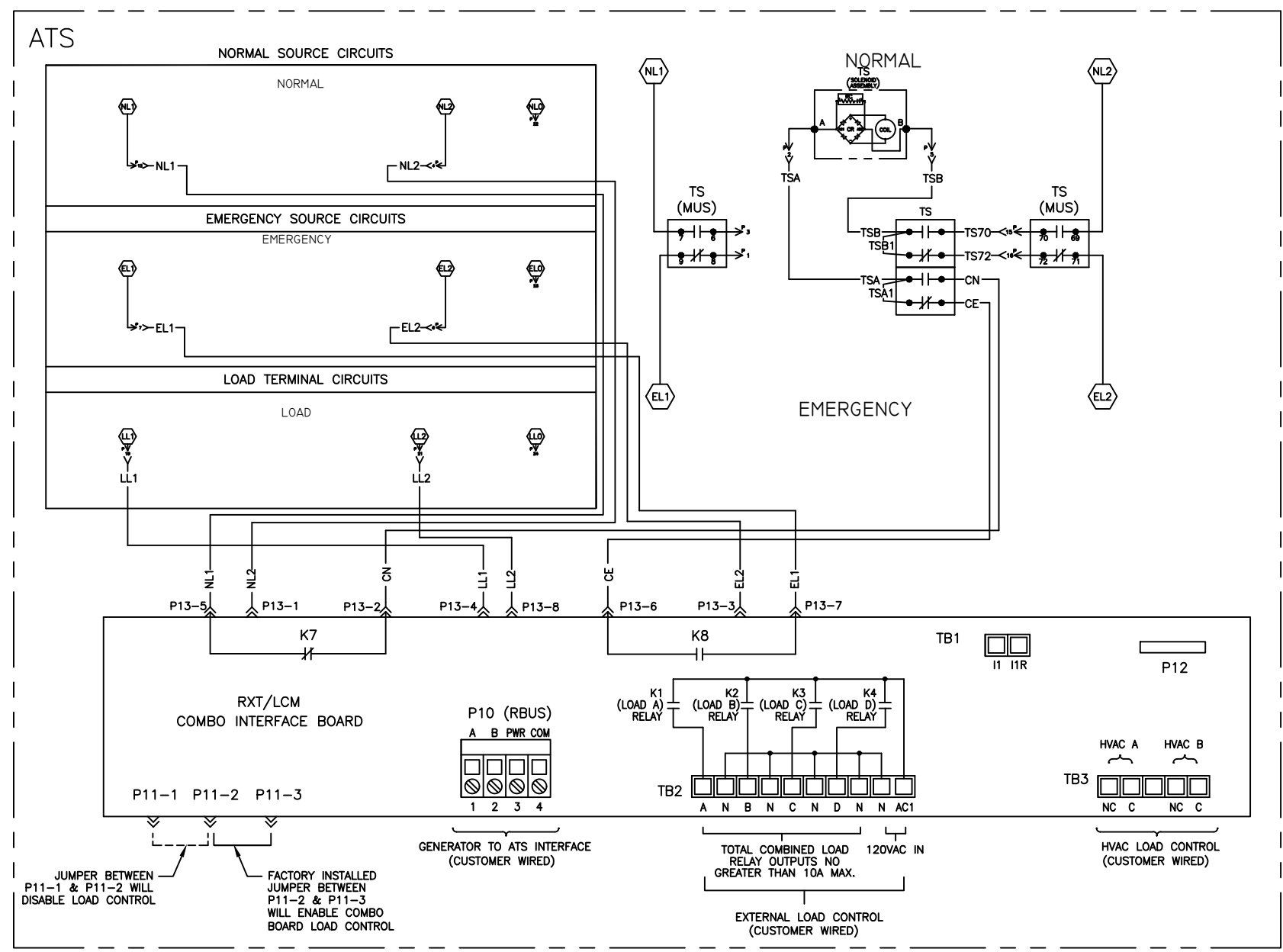
KOHLER.
 KOHLER, WI 53044
 THIS DRAWING IN DESIGN AND DETAIL IS KOHLER CO. PROPERTY AND
 MUST NOT BE USED EXCEPT IN CONNECTION WITH KOHLER CO. WORK.
 ALL RIGHTS OF DESIGN OR INVENTION ARE RESERVED.

TITLE: **DIAGRAM, ELECTRICAL
 400A RXT 3PH 4P**

APPROVALS	DATE
DESIGN DJY	1-25-21
ENGINEER DJY	1-25-21
APPROVED DJY	1-25-21

SCALE: **///** SHEET: **2-4**
 DRAWING NO: **GM116242** SHEET: **D**

REV	DATE	REVISION	BY
-	1-25-21	NEW DRAWING [CT208600]	DJY



APPROVALS	DATE	SCALE	SHEET
DESIGN DJY	1-25-21	1/1	3-4
CHECKED DJY	1-25-21	1/1	3-4
APPROVED DJY	1-25-21	1/1	3-4

UNLESS OTHERWISE SPECIFIED -
 1) DIMENSIONS ARE IN INCHES
 2) TOLERANCES ARE:
 .001 ± .010 ANGLES ± 1/2°
 .001 ± .005 SURFACE FINISH
 .001 ± .005 MAX.
 FRACTIONS ±

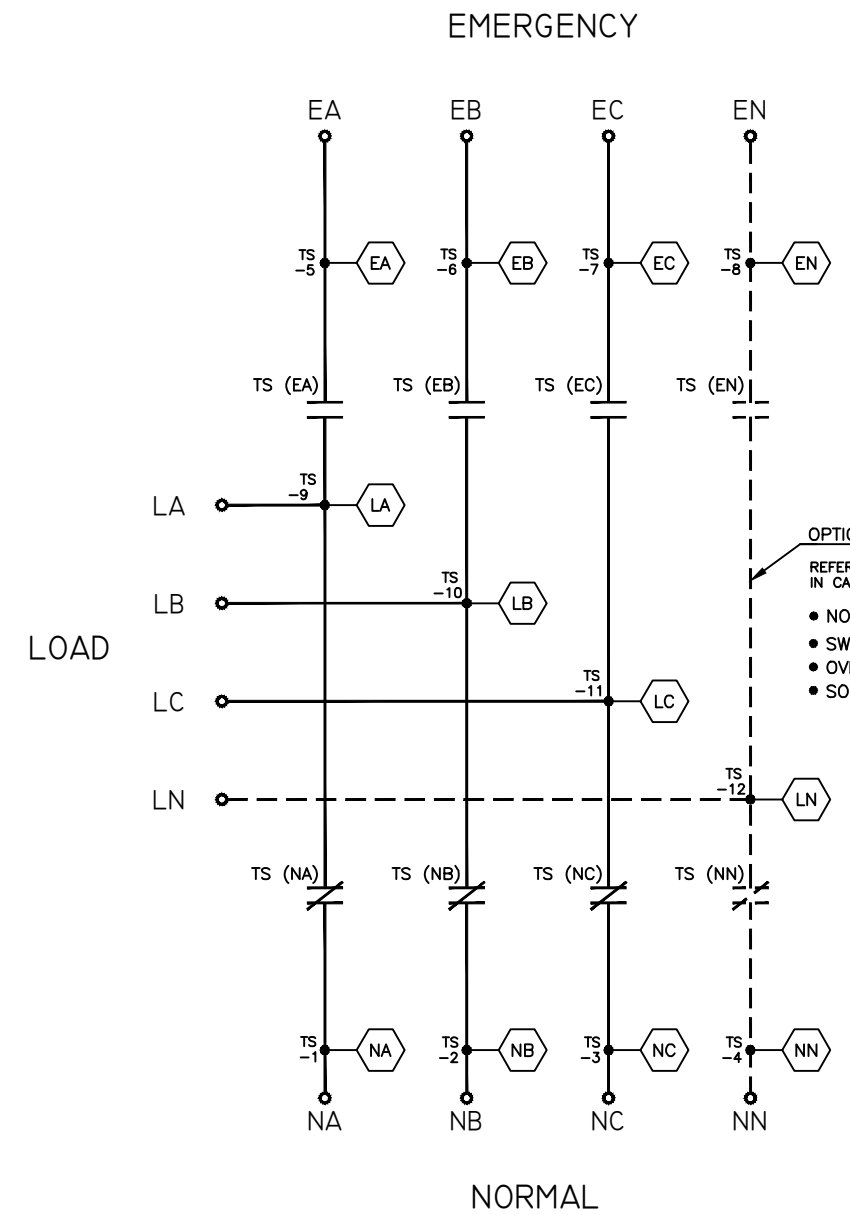
KOHLER, WI 53044
 THIS DRAWING, IN DESIGN AND DETAIL, IS KOHLER CO. PROPERTY AND
 MUST NOT BE USED EXCEPT IN CONNECTION WITH KOHLER CO. WORK.
 ALL RIGHTS OF DESIGN OR INVENTION ARE RESERVED.

DIAGRAM, ELECTRICAL
400A RXT 3PH 4P

PWA NO. **GM116242**

REV	DATE	REVISION	BY	CHK
-	1-25-21	NEW DRAWING [CT208600]	DJY	

MAIN POWER POLES

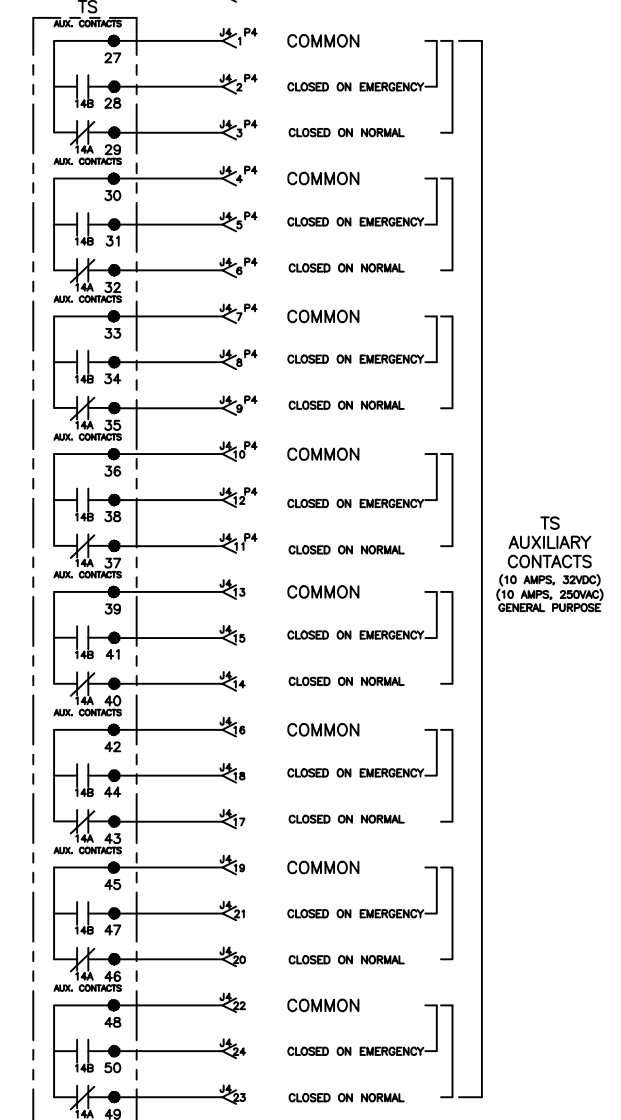
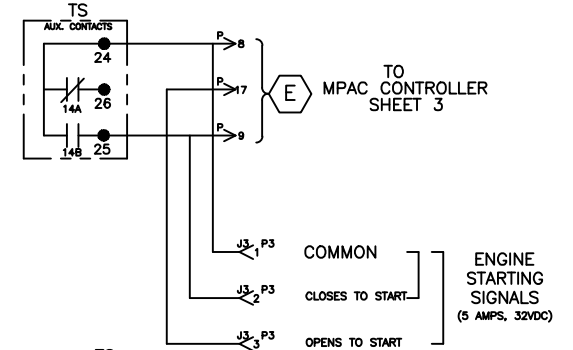


OPTIONAL NEUTRAL TYPES
 REFER TO "EXPLANATION OF CATALOG NUMBER CODES" IN CATALOG NUMBER CHART ON SHEET 1.

- NONE
- SWITCHING CONTACTS
- OVERLAPPING CONTACTS
- SOLID BUS PLATE

NOTE:
 ATS SHOWN CLOSED ON NORMAL SOURCE.

- GENERAL NOTES**
1. SWITCH SHOWN DE-ENERGIZED AND CONNECTED TO THE NORMAL SOURCE.
 2. DEVICE SYMBOLS AND DESIGNATIONS ARE IN ACCORDANCE WITH NEMA PUBLICATION ICS 1-1983, PART 1-101A.
 3. ALL WIRING IS #16 AWG, TINNED, STRANDED COPPER UNLESS OTHERWISE INDICATED.
 4. ○ ON TERMINAL BLOCKS INDICATES AVAILABLE FIELD CONNECTION POINT.
 5. ● ON TERMINAL BLOCKS INDICATES FACTORY CONNECTION POINT.
 6. CONTROL AND ACCESSORY WIRING IS ROUTED IN ACCORDANCE WITH ASCO ASSEMBLY PROCEDURE GS451261.



<small>UNLESS OTHERWISE SPECIFIED - 1) DIMENSIONS ARE IN INCHES 2) TOLERANCES ARE: .000 ± .010 ANGLES ± 1/2° .001 ± .003 SURFACE FINISH .001 ± .002 MAX. FRACTIONS ±</small>		KOHLER. <small>KOHLER, WI 53044 THIS ORIGINAL OR DESIGN AND DETAIL IS KOHLER CO. PROPERTY AND MUST NOT BE USED EXCEPT IN CONNECTION WITH KOHLER CO. WORK. ALL RIGHTS OF DESIGN OR INVENTION ARE RESERVED.</small>	
APPROVALS DESIGNED DJY CHECKED DJY APPROVED DJY		DATE 1-25-21 1-25-21 1-25-21	
TITLE DIAGRAM, ELECTRICAL 400A RXT 3PH 4P		SHEET 4-4	
PART NO. GM116242		D	