

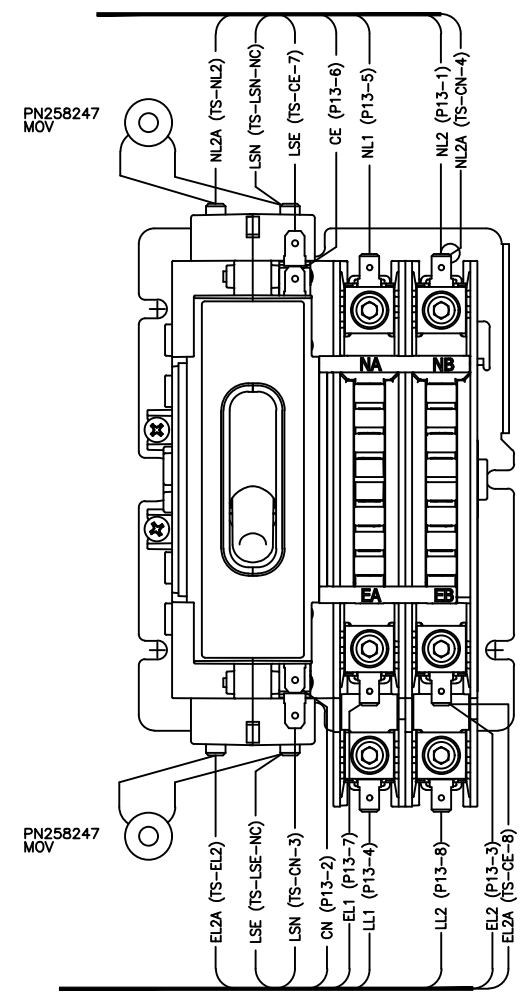
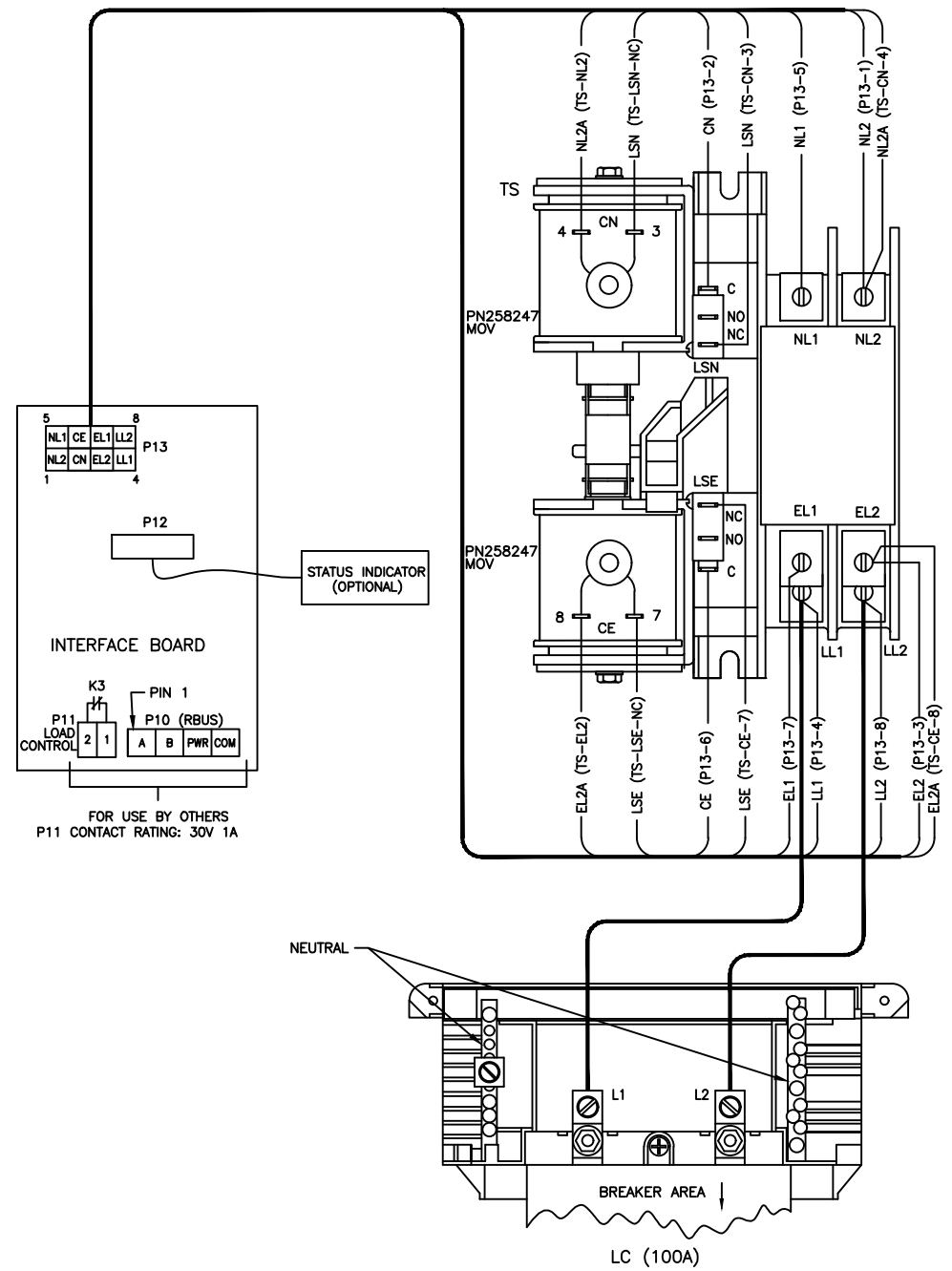
REV	DATE	REVISION	BY
-	2-28-11	NEW DRAWING [90714-3]	CRS
A	11-16-17	ALTERNATE CONTACTOR VIEW ADDED [CT179689]	BTW
B	6-27-22	(B-C-2-6) PN258247 COIL ADDED [CT220590]	BCC

**LEGEND**

- CE - TRANSFER COIL (EMERGENCY)
- CN - TRANSFER COIL (NORMAL)
- LC - LOAD CENTER
- LSN - POSITION SENSE SWITCH (NORMAL)
- LSE - POSITION SENSE SWITCH (EMERGENCY)
- P(#)- CONNECTOR
- TS - TRANSFER SWITCH/CONTACTOR

**P13 CONNECTIONS**

- PIN #1 NL2 (TS-NL2)
- 2 CN (TS-LSN-C)
- 3 EL2 (TS-EL2)
- 4 LL1 (TS-LL1)
- 5 NL1 (TS-NL1)
- 6 CE (TS-LSE-C)
- 7 EL1 (TS-EL1)
- 8 LL2 (TS-LL2)



APPROVALS		DATE	SCALE	COP. NO.	SHEET
DESIGNED	CRS	6-15-11	///		1-1
CHECKED	MTL	6-15-11			
APPROVED	MTL	6-15-11			

UNLESS OTHERWISE SPECIFIED - 1) DIMENSIONS ARE IN INCHES 2) TOLERANCES ARE: FRACTIONS ± DECIMAL ± SURFACE FINISH MAX.		<b>KOHLER CO.</b> POWER SYSTEMS, KOHLER, WI 53044 U.S.A. THIS DRAWING, IN DESIGN AND DETAIL, IS KOHLER CO. PROPERTY AND MUST NOT BE USED EXCEPT IN CONNECTION WITH KOHLER CO. WORK. ALL RIGHTS OF DESIGN OR INVENTION ARE RESERVED.	
MODEL RXT STANDARD TRANSITION 100A ATS W/LOAD CENTER FOR SCHEMATIC SEE GM80676		TITLE <b>DIAGRAM, WIRING</b> Dwg. No. <b>GM80675</b>	