

BEFORE YOU BEGIN

开始之前

- Congratulation on your purchase of this high quality Bathroom Accessory. Before proceeding with the installation, please carefully read this installation instruction in order to ensure proper care and assembly of this accessory.
- Please keep this installation instruction for future reference.

- 首先恭喜您购买到了高档的卫浴产品，为了使您正确保护和组装产品，在您安装之前请仔细阅读此说明书。
- 请保留此说明书以备参考。



Prior to drilling into walls, check there are no hidden electrical wires, cables or water supply pipes with the aid of an electronic detector. If you use power tools do not forget:

1. Wear eye protection.
2. Unplug equipment after use.



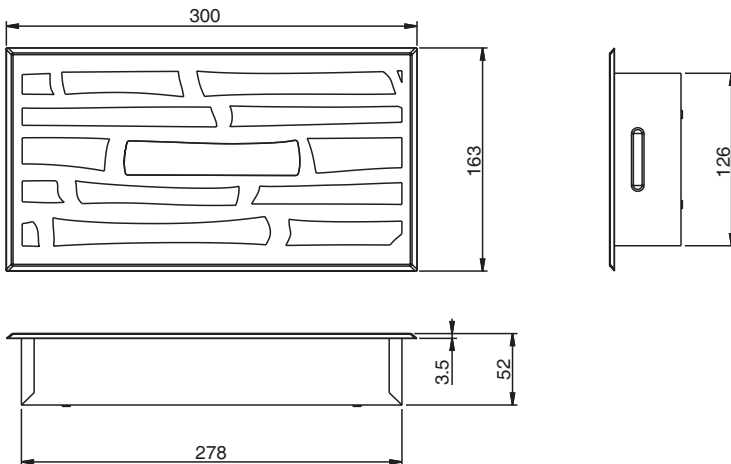
警示：在钻孔之前，请借助电子探测仪确认墙内是否有电源线，通讯光缆或者水管之类的东西。如果使用电钻的话请勿忘记以下两点：

1. 请戴上防护镜。
2. 用完设备后关掉电源。

ROUGHING-IN

尺寸图

UNIT : mm
单位：毫米



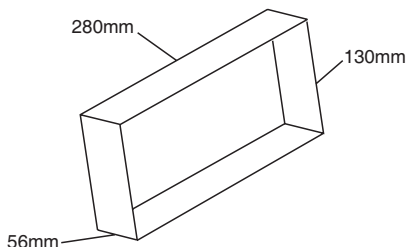
科勒(中国)投资有限公司
上海市闸北区江场三路158号 邮编：200436

INSTALLATION

安装步骤

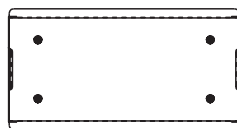
1. Engroove a 280mm x 130mm x 56mm groove at the desired installation place.

1. 在希望安装纸巾盒的位置，开一个长280mm，宽130mm，高56mm的槽。



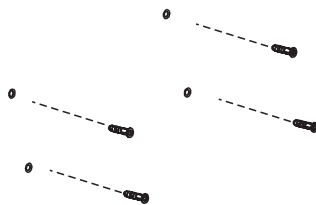
2. Put the tissue box into the groove and then mark the four installation holes.

2. 将内盒放在1所开的槽里，标记出4个孔的位置。



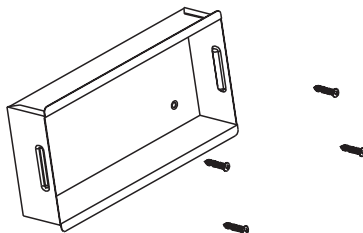
3. Drill four holes at the marked places with a 6mm drill and then insert the plugs.

3. 用6mm的钻头在2中标记的位置钻4个孔，并塞进壁塞。



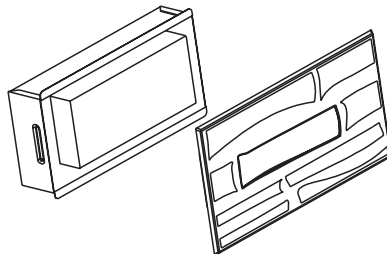
4. Fix the box onto wall with screws.

4. 用螺钉将内盒固定在墙上。



5. Put the tissue into the box and then put the cover into place.

5. 将纸巾放入纸巾盒内并盖上面盖即可。



CARING FOR YOUR PRODUCTS

保养须知

The accessories should be washed with warm water and a soft cloth or sponge. Do not use abrasive cleaners or cleaners containing bleach.

为了更好地保养本品，请您用温水和软毛巾(或海绵)擦拭，含有腐蚀性或漂白剂的洗洁剂对本品有害。