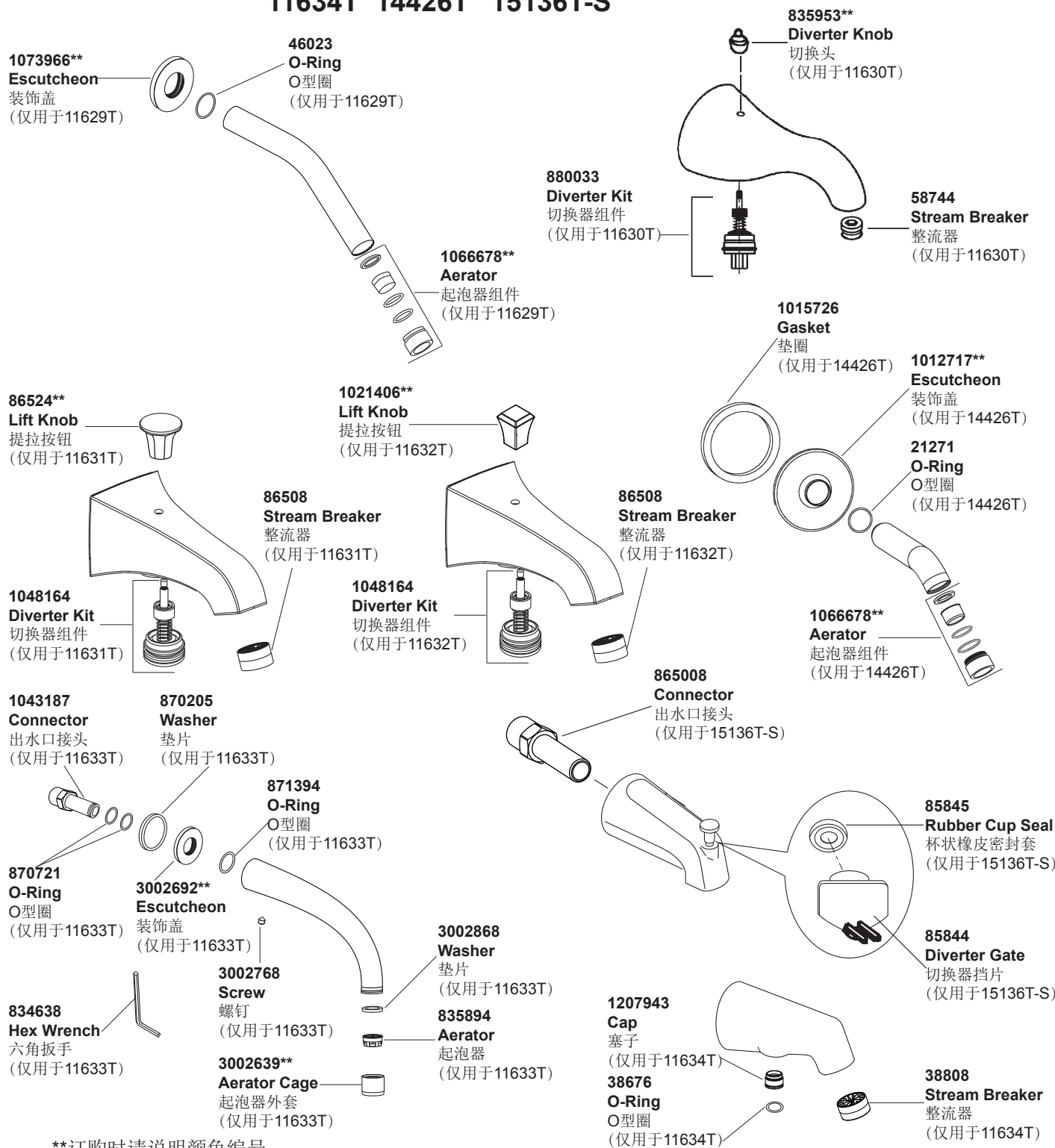


7098T 11629T 11630T
11631T 11632T 11633T
11634T 14426T 15136T-S

浴缸出水口



**订购时请说明颜色编号

**Color code must be specified when ordering

7098T 11629T 11630T
11631T 11632T 11633T
11634T 14426T 15136T-S

浴缸出水口

安装之前

所有的资料是按最新出版的产品资料编写而成。科勒公司保留任何时候不经通知即可改变产品特性、包装或产品可供类型的权利。

说明书包括重要的安装、保养及清洁方面的内容，请把这些资料交给用户阅读。

注意事项：

1. 一定要先彻底冲洗供水管以清除管道中的杂质。
2. 切断供水管路。
3. 遵守所有当地管路安装及建筑条例。
4. 7098T出水口进水螺纹为Rc1/2"。

BEFORE YOU BEGIN

All information is based on the latest product information available at the time of publication. Kohler Co. reserves the right to make changes in product characteristics, packaging, or availability at any time without notice.

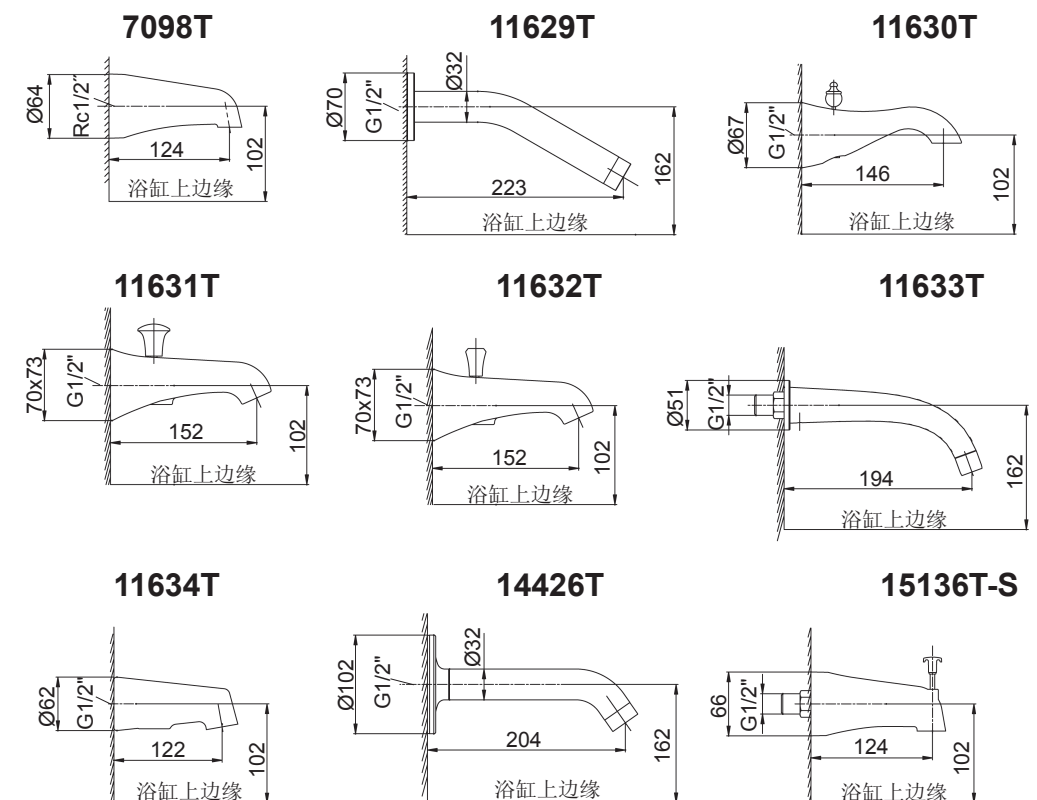
Please leave these instructions for the consumer. They contain important information.

NOTES:

1. Flush the water supply pipes thoroughly to remove debris.
2. Shut off the water supplies to the fitting.
3. Observe all local plumbing and building codes.
4. Inlet threads of spout for 7098T are Rc1/2".

安装尺寸

ROUGH-IN DIMENSIONS

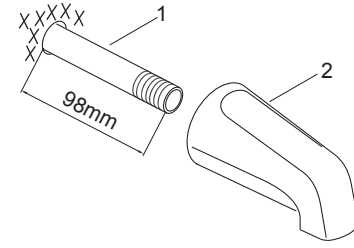


安装步骤

INSTALLATION

仅对7098T

将R1/2"锥螺纹铜管(1, 客户自备)装到浴缸供水管上。螺纹铜管伸出墙外的长度应为98mm。在接口缠绕密封胶带或涂密封膏, 安装浴缸出水口(2), 用带状扳手将龙头拧紧。出水口朝下。

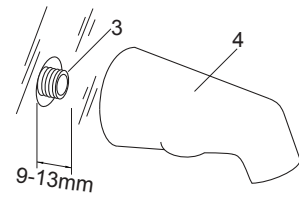


Only for 7098T

Install a R1/2" taper thread nipple (1, not provided) to the bath pipe so it extends 98mm beyond the finished wall. Apply tape or thread sealant to the nipple threads, and install the spout(2). Tighten by strap wrench with spout downwards.

仅对 11630T/11631T/11632T/11634T

在G1/2"接管(3, 客户自备)两端螺纹上缠绕足以密封的密封胶带或涂适合的密封胶。安装G1/2"接管(3), 接管露出墙外9~13mm。在出水口底部, 涂上一圈油灰或其他胶。用带状扳手将出水口(4)拧紧, 出水口朝下。去除多余油灰。

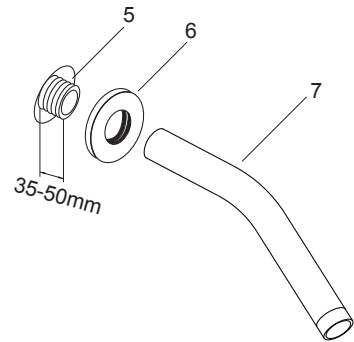


Only for 11630T/11631T/11632T/11634T

Apply tape or thread sealant to the G1/2" nipple(3, not provided) threads. Install the G1/2" nipple(3) to the bath pipe so it extends 9~13mm beyond the finished wall. Apply a ring of plumbers putty to the spout base. Install the spout(4), and tighten by strap wrench with spout downwards. Remove any excess putty.

仅对11629T

在G1/2"接管(5, 客户自备)两端螺纹上缠绕足以密封的密封胶带或涂合适的密封膏。安装G1/2"接管, 接管露出墙外35-50mm。



把装饰罩(6)套入出水口组件(7)。用带状扳手拧紧出水口组件到G1/2"接管上, 调整出水口方向使其向下。向后推装饰罩直至其与墙面接触。

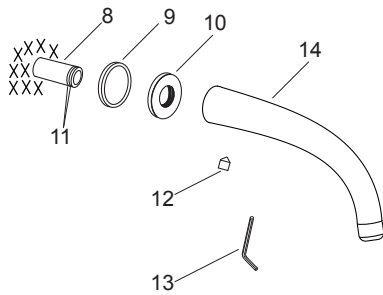
Only for 11629T

Apply tape or sealant to the G1/2" nipple(5, not provided) threads. Install the G1/2" nipple to extend 35-50mm beyond the finished wall.

Install the escutcheon(6) onto the spout kit(7). Thread the spout kit to the G1/2" nipple. Tighten by strap wrench. Adjust the spout downwards. Push the escutcheon against the finished wall.

仅对11633T

安装出水口接头(8), 注: 其前端已安好两个O型圈(11), 使其伸出墙壁长度控制在30-50mm之间。先将垫片(9)嵌入装饰环(10)(内孔装有O型圈)背部凹槽中, 将装饰罩套在出水口接头上, 后推直至与墙面接触。



将出水口(14)装到出水口接头上, 使其同装饰环接触, 调整出水口方向使其向下, 用六角扳手(13)锁紧螺钉(12)固定出水口。

Only for 11633T

Install the spout connector(8) to make it extend beyond the wall 30-50mm. Notes: The spout connector with two O-ring(11) on the top. Insert the washer(9) into the groove of the escutcheon(10) with O-ring. Slide the escutcheon to the spout connector. Push the escutcheon against the wall.

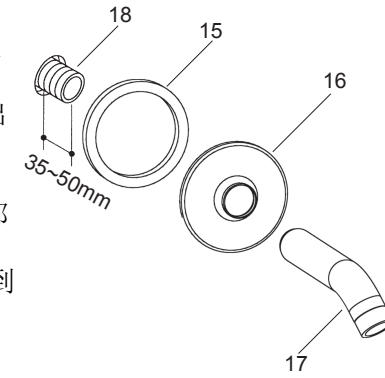
Slide the the spout(14) onto the spout connector until it touches the escutcheon. Adjust the spout downwards. Tighten screw(12) with hex wrench(13) to secure the spout.

注意: 螺钉不要拧得太紧。

NOTE: Do not overtighten the setscrew.

仅对14426T

在G1/2"接管(18, 客户自备)两端螺纹上缠绕足以密封的密封胶带或涂合适的密封膏。安装G1/2"接管, 接管露出墙外35-50mm。



将不干胶密封条(15)在装饰罩(16)底部贴一圈。接着把装饰罩套入出水口组件(17)。用带状扳手拧紧出水口组件到G1/2"接管上直至装饰罩与墙面接触, 调整出水口方向使其向下。

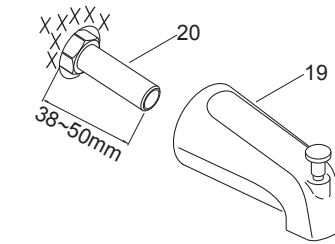
Only for 14426T

Apply tape or sealant to the G1/2" nipple(18, not provided) threads. Install the G1/2" nipple to extend 35-50mm beyond the finished wall.

Stick the sticker washer(15) into the bottom of the escutcheon(16) as a circle. Install the escutcheon onto the spout kit(17). Thread the spout kit to the G1/2" nipple. Tighten by strap wrench. Adjust the spout downwards.

仅对15136T-S

安装插入式接头(20), 使接头留在墙外的长度在38-50mm。将出水口(19)插到插入接头上, 调整出水口方向使其向下, 小心地把龙头下方的固定螺丝拧紧。



注意: 螺钉不要拧得太紧。

Only for 15136T-S

Install the slip-fit spout connector(20) to make it extend beyond the finished wall 38-50mm. Install the spout(19) to connector. Adjust the spout downwards, and carefully tighten the setscrew in the bottom of the spout.

NOTE: Do not overtighten the setscrew.

安装结果检查

INSTALLATION CHECKOUT

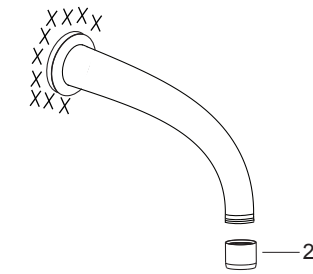
检查并确保所有衔接处都已拧紧。

Ensure that all connections are tight.

打开排水系统和主要供水源, 检查并修理有漏水的接口。

Open the drain. Turn on main water supply and check for leaks. Repair as required.

将起泡器(21)拆下(注: 不包含7098T/11634T/15136T-S), 用冷热冲洗出水口一分钟以清除杂质。冲洗起泡器, 关闭水源, 重新装回起泡器。



Remove aerator assembly(21). Flush hot and cold water through spout for about one minute to remove any debris. Remove any debris from aerator assembly. Turn off water supply and reinstall aerator assembly.

清洗说明

CLEANING INSTRUCTIONS

适用于所有加工处理过的表面: 以中性肥皂水清洗镀层表面, 再以干净的软布彻底擦干整个表面, 许多清洁剂, 比如氨水、去污粉及洁厕灵等, 会对电镀表面造成伤害, 切忌使用。

All Finishes: Clean the finish with mild soap and warm water. Wipe entire surface completely dry with clean soft cloth. Many cleaners may contain chemicals, such as ammonia, chlorine, toilet cleaner etc, which could adversely affect the finish and are not recommended for cleaning.

有磨损性的清洁用具或清洁剂也不可适用于科勒牌的水龙头及其配件上。

Do not use abrasive cleaners or solvents on Kohler faucets and fittings.