

BEFORE YOU BEGIN

- Observe all local plumbing and building codes.
- Prior to installation, unpack the new lavatory and inspect it for damage. Return the lavatory to its protective carton until you are ready to install it.
- All information in these instructions are based the latest product information available at the time of publication. Kohler China reserves the right to make changes in product characteristics, packaging, or availability at any time without notice.

IMPORTANT: Make sure that the wall and floor are square and plumb to ensure proper installation.

- Kohler lavatory is made according to American National Standard that it can match the American lavatory fittings . Any other lavatory fittings may not fit for Kohler lavatory.

安装之前

- 遵守当地所有给排水及建筑规定。
- 安装之前先开启新脸盆的包装，检查有无破损后放回纸箱中以免碰坏，到准备安装时才取用。
- 本说明书所含一切资料，均以印刷时所有的最新产品为准。科勒公司保留随时更改产品特性，包装或供应情况的权利，恕不另行通知。

注意：墙壁和地板必须方正、平整和水平。

- 科勒洗脸盆是根据美国标准制造的，与美式洗脸盆配件相配。其它洗脸盆配件可能与之不相配。

ORDERING INFORMATION

CANDIDE Pedestal Lavatory	K-17650T
Includes Basin	K-17151T
Pedestal	K-17153T
CANDIDE Pedestal Lavatory	K-17651T
Includes Basin	K-17150T
Pedestal	K-17153T
PANACHE Pedestal Lavatory	K-17654T
Includes Basin	K-17156T
Pedestal	K-17153T
PANACHE Pedestal Lavatory	K-17655T
Includes Basin	K-17155T
Pedestal	K-17153T

订购信息

凯迪柱式脸盆	K-17650T
包括洗脸盆	K-17151T
立柱	K-17153T
凯迪柱式脸盆	K-17651T
包括洗脸盆	K-17150T
立柱	K-17153T
帕纳奇柱式脸盆	K-17654T
包括洗脸盆	K-17156T
立柱	K-17153T
帕纳奇柱式脸盆	K-17655T
包括洗脸盆	K-17155T
立柱	K-17153T

REQUIRED MATERIALS/TOOLS (NOT SUPPLIED)

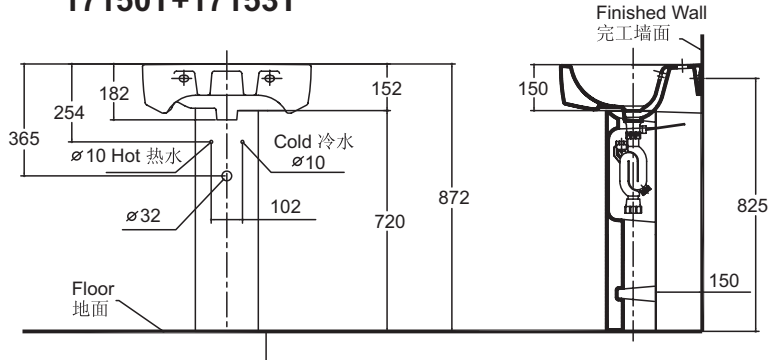
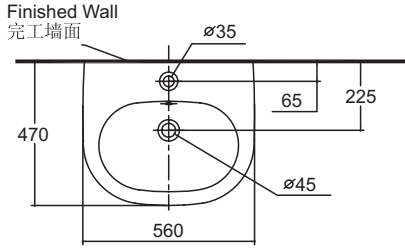
- Level
- Drill with 6mm bit
- 14mm wrench
- Framing square
- Channel lock pliers
- Tape measure

所需工具和材料 (不随货供应)

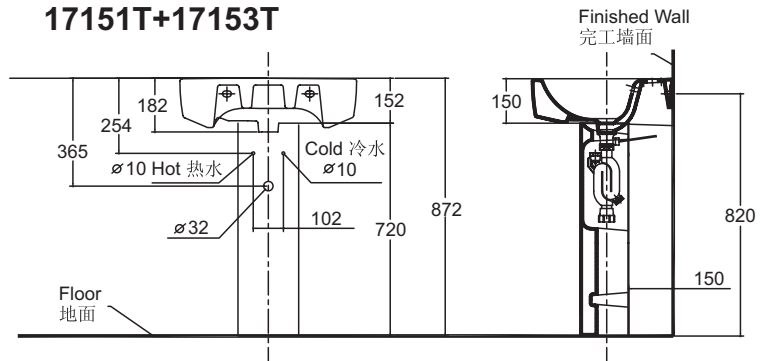
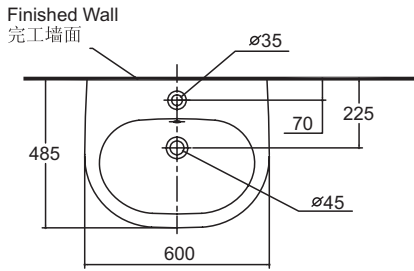
- 水平尺
- 带6mm钻头的电锤钻
- 14mm板钳
- 定位直尺
- 锁钳
- 卷尺

单位: 毫米
Unit: mm

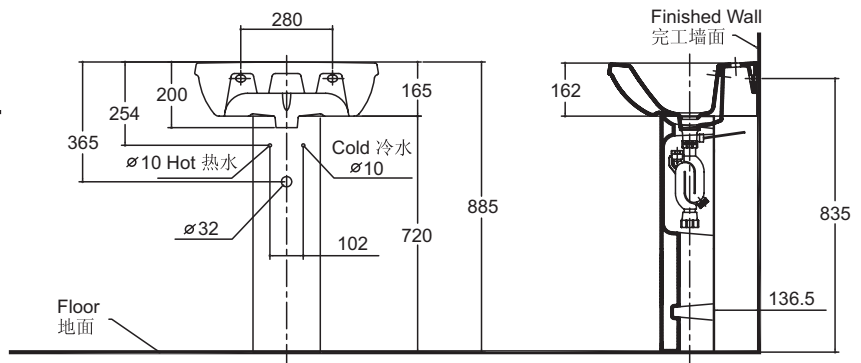
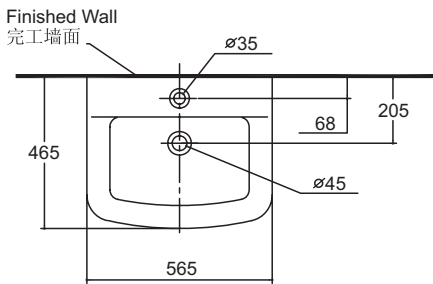
17150T+17153T



17151T+17153T



17155T+17153T



17156T+17153T

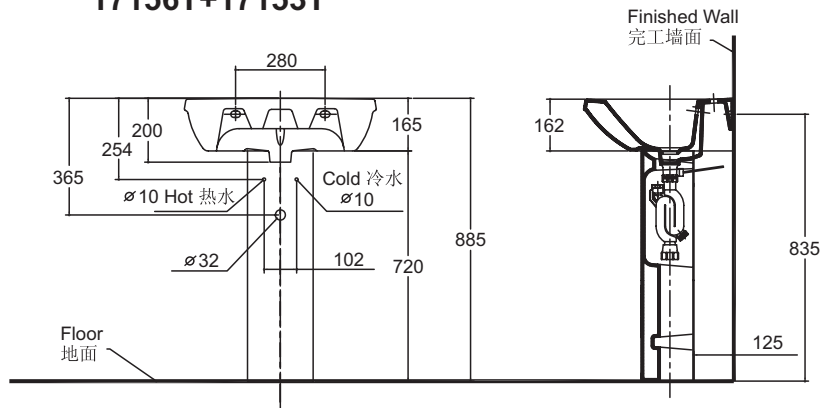
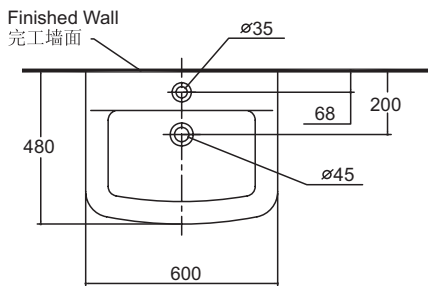


Fig.#1
图1

INSTALLATION

安装

1. Make sure the basin is installed by a competent installer.

1. 确保脸盆由有资质的人员安装。

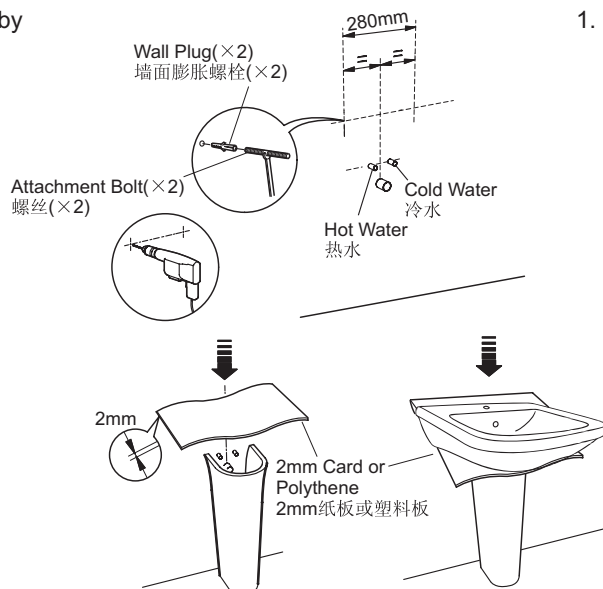


Fig.#2
图2

2. Install the services.

2. 安装检修部位。

3. Make sure that the hot and cold water supply pipes and the waste are installed correctly.

3. 确保冷热水供水管和排水管安装正确。

4. Position the pedestal and place a 2 mm thick piece of card or polythene on top of it. Place the basin on top of this and ensure it is level.

4. 安装好底柱，把2mm厚的纸板或者塑料板放在底柱上。然后将脸盆放在纸板上，使脸盆水平。

5. Mark through the positions of the fixing holes.

5. 透过固定孔做标记。

6. Remove the basin and drill the fixing holes.

6. 移开脸盆，在固定孔的标记位置钻孔。

7. Fit the wall plugs and the attachment bolts.

7. 装入墙面膨胀螺栓和螺丝。

8. Fit the tap and waste to the basin in accordance with the manufacturer's instructions.

8. 根据制造商安装说明将龙头和排水管装到脸盆上。

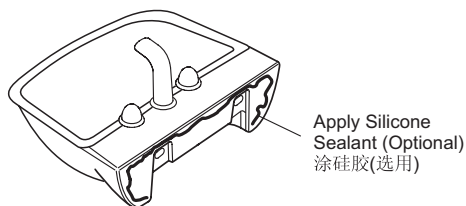


Fig.#3
图3

9. Apply silicone sealant to the back of the basin (optional).

9. 在脸盆的背部涂上硅胶(选用)。

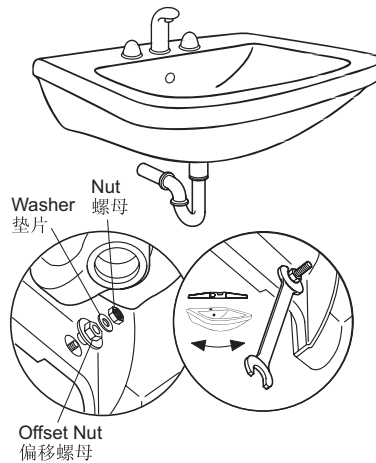


Fig.#4
图4

10. Fit the basin in position over the attachment bolts.

10. 在附带螺丝上方将脸盆固定到位。

11. Adjust the offset nut until the basin is level.

11. 调节偏移螺母，直到脸盆水平。

12. When the basin is level, fit the washers and the nuts and secure in place.

12. 当脸盆水平时，装上垫片和螺母，将其固定到位。

13. Remove any excess silicone sealant.

13. 除去多余的硅胶。

14. Reposition the full pedestal.

14. 重新将底柱安装到位。


IMPORTANT CONSUMER INFORMATION

用户须知

CARE AND CLEANING

护理及清洁

 **Caution! Risk of product damage.**

 **警告！有产品损坏的危险。**

Many cleaners contain abrasive and chemical substances, and should not be used for cleaning stainless steel, enamel, plated or plastic fittings.

许多清洁剂包含磨损性的化学物质，不应该用来清洗不锈钢、釉质、镀金或塑料部件。

These finishes should be cleaned using a mild washing up detergent or soap solution, rinsed and then wiped dry with a soft clean cloth.

这些部件应用温和的清洁剂或者肥皂水来清洗、漂净，然后用柔软干净的布擦干。

To keep your lavatory looking new, make sure you rinse it out thoroughly after each use. **DO NOT USE ABRASIVES** on this product, as they will scratch and ruin the surface. Stubborn stains, paint, or tar can be removed with turpentine or paint thinner.

为保持脸盆常新，请确保每次使用后立即彻底冲洗。但切勿用腐蚀性清洁剂，以防止刮花或磨损盆面。如有顽渍、油漆或柏油点，可用松油或油漆稀释剂清洗。