

BEFORE YOU BEGIN

- Observe all local plumbing and building codes.
- Prior to installation, unpack the new lavatory and inspect it for damage. Return the lavatory to its protective carton until you are ready to install it.
- All information in these instructions are based the latest product information available at the time of publication. Kohler China reserves the right to make changes in product characteristics, packaging, or availability at any time without notice.

IMPORTANT: Make sure that the wall and floor are square and plumb to ensure proper installation.

- Kohler lavatory is made according to American National Standard that it can match the American lavatory fittings. Any other lavatory fittings may not fit for Kohler lavatory.

安装之前

- 遵守当地所有给排水及建筑规定。
- 安装之前先开启新脸盆的包装，检查有无破损后放回纸箱中以免碰坏，到准备安装时才取用。
- 本说明书所含一切资料，均以印刷时所有的最新产品为准。科勒公司保留随时更改产品特性，包装或供应情况的权利，恕不另行通知。

注意：墙壁和地板必须方正、平整和水平。

- 科勒洗脸盆是根据美国标准制造的，与美式洗脸盆配件相配。其它洗脸盆配件可能与之不相配。

ORDERING INFORMATION

CANDIDE Semi-Ped Lavatory	K-17652T
Includes Basin	K-17151T
Semi-Pedestal.....	K-17154T
CANDIDE Semi-Ped Lavatory	K-17653T
Includes Basin	K-17150T
Semi-Pedestal.....	K-17154T
PANACHE Semi-Ped Lavatory	K-17656T
Includes Basin	K-17156T
Semi-Pedestal.....	K-17154T
PANACHE Semi-Ped Lavatory	K-17657T
Includes Basin	K-17155T
Semi-Pedestal.....	K-17154T

订购信息

凯迪半柱挂墙式脸盆	K-17652T
含洗脸盆.....	K-17151T
半柱	K-17154T
凯迪半柱挂墙式脸盆	K-17653T
含洗脸盆.....	K-17150T
半柱	K-17154T
帕纳奇半柱挂墙式脸盆	K-17656T
含洗脸盆.....	K-17156T
半柱	K-17154T
帕纳奇半柱挂墙式脸盆	K-17657T
含洗脸盆.....	K-17155T
半柱	K-17154T

REQUIRED MATERIALS/TOOLS (NOT SUPPLIED)

- Level
- Drill with 6mm bit
- 14mm wrench
- Framing square
- Channel lock pliers
- Tape measure

所需工具和材料 (不随货供应)

- 水平尺
- 带6mm钻头的电锤钻
- 14mm板钳
- 定位直尺
- 锁钳
- 卷尺

ROUGHING-IN

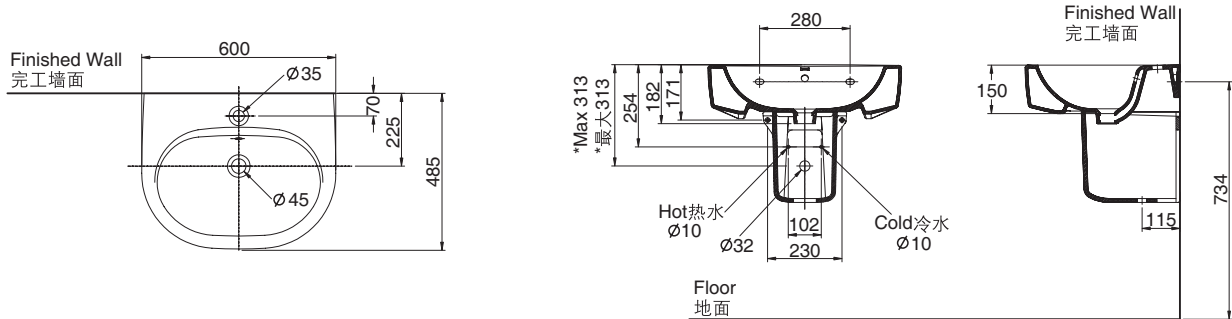
尺寸图

Reference Value
参考值

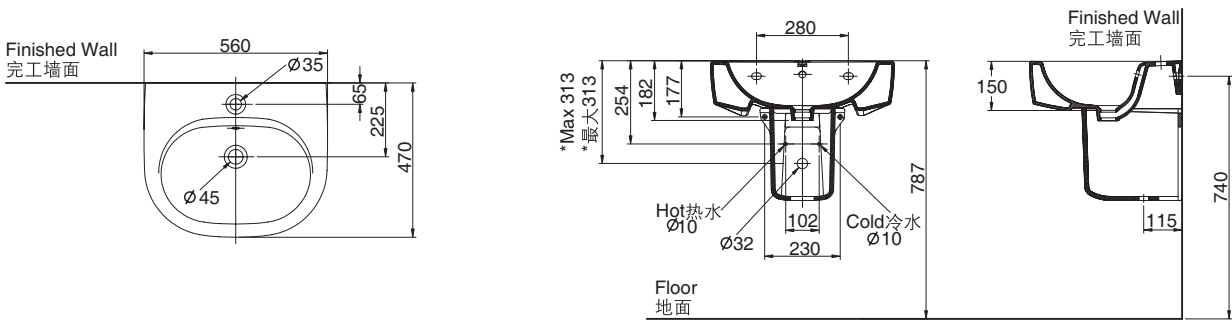
UNIT: mm
单位: 毫米

*Suggested installation dimensions only for K-9071T & K-7119T. Please adjust if necessary.
*仅为K-9071T和K-7119T的建议安装尺寸, 客户可根据实际情况调整。

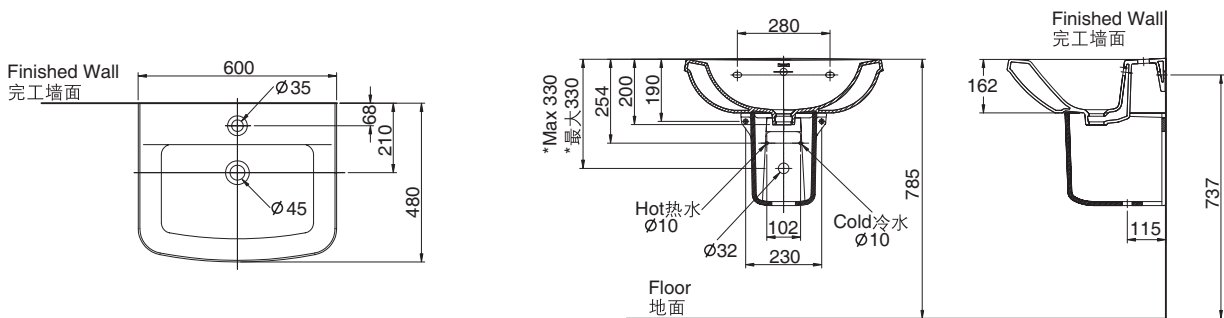
K-17652T(17154T+17151T)



K-17653T(17154T+17150T)



K-17656T(17154T+17156T)



K-17657T(17154T+17155T)

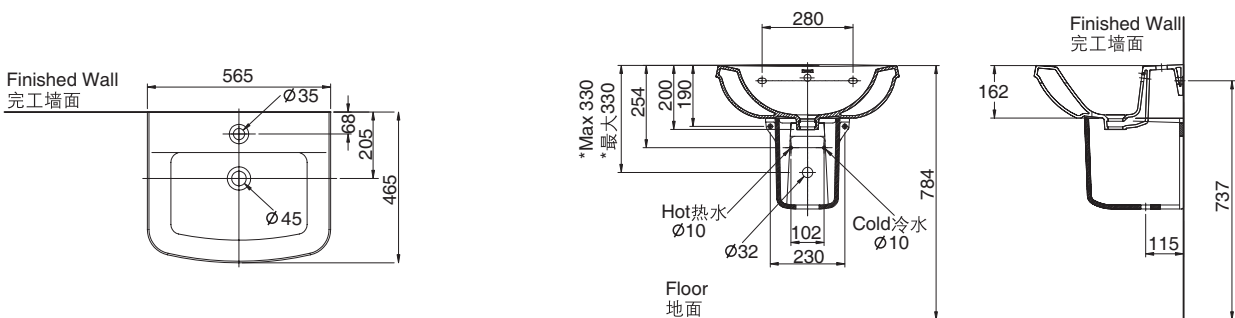


Fig.#1
图1

科勒公司保留随时变更图中标示尺寸的权利, 无需另行通知。
Kohler reserves the right to change marked dimensions without prior notice.

INSTALLATION

安装

1. Make sure the basin is installed by a competent installer.
2. Install the services.
3. Make sure that the hot and cold water supply pipes and the waste are installed correctly.

1. 确保脸盆由有资质的人员安装。
2. 安装检修部位。
3. 确保冷热水供水管和排水管安装正确。

4. Hold the semi-pedestal in position and mark the position of fixing holes.

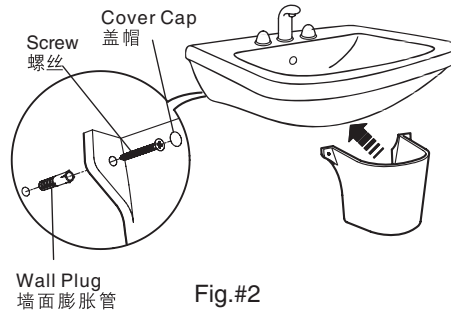
4. 将半柱放置到位，标记固定孔的位置。

5. Drill the holes and secure the semi-pedestal in position with wall plugs and screws. Place cover caps over the heads of the screws.

5. 钻孔，然后用墙面膨胀管和螺丝固定半柱。在螺丝上装上盖帽。

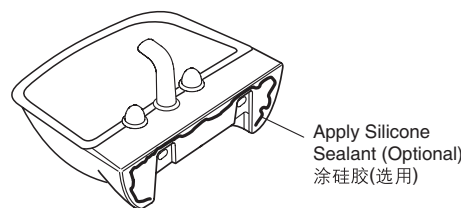
6. Fit the tap and waste to the basin in accordance with the manufacturer's instructions.

6. 根据制造商的安装说明将龙头和排水管装到脸盆上。



7. Apply silicone sealant to the back of basin (optional).

7. Apply silicone sealant to the back of basin (optional).



8. Fit the basin in position over the semi-pedestal.

8. 将脸盆放置到半柱上。

9. Adjust the offset nut until the basin is level.

9. 调节偏移螺母直到脸盆水平。

10. When the basin is level, fit the washers and the nuts and secure in place.

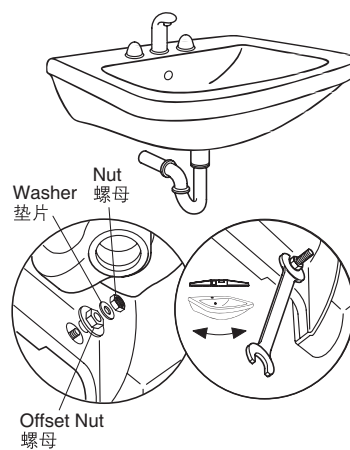
10. 当脸盆水平时，装上垫片和螺母，将其固定到位。

11. Remove any excess silicone sealant.

11. 除去多余的硅胶。

12. Place the overflow cover over the overflow hole in the basin (if supplied).

12. 将溢水盖装到脸盆内的溢水孔上(若提供)。



IMPORTANT CONSUMER INFORMATION

用户须知

CARE AND CLEANING



Caution! Risk of product damage.

Many cleaners contain abrasive and chemical substances, and should not be used for cleaning stainless steel, enamel, plated or plastic fittings.

These finishes should be cleaned using a mild washing up detergent or soap solution, rinsed and then wiped dry with a soft clean cloth.

To keep your lavatory looking new, make sure you rinse it out thoroughly after each use. **DO NOT USE ABRASIVES** on this product, as they will scratch and ruin the surface. Stubborn stains, paint, or tar can be removed with turpentine or paint thinner.

Do not use the product in the water below 0°C.



CAUTION: Please do not use hard materials (like scouring pad) to clean product surface, especially the product logo.

护理及清洁



警告！ 有产品损坏的危险。

许多清洁剂包含磨损性的化学物质，不应该用来清洗不锈钢、釉质、镀金或塑料部件。

这些部件应用温和的清洁剂或者肥皂水来清洗、漂净，然后用柔软干净的布擦干。

为保持脸盆常新，请确保每次使用后立即彻底冲洗。但切勿用腐蚀性清洁剂，以防止刮花或磨损盆面。如有顽渍、油漆或柏油点，可用松油或油漆稀释剂清洗。

不要在0°C以下的水环境中使用。



警告： 请勿使用钢丝球等硬质材料擦洗产品表面，特别是产品商标处。