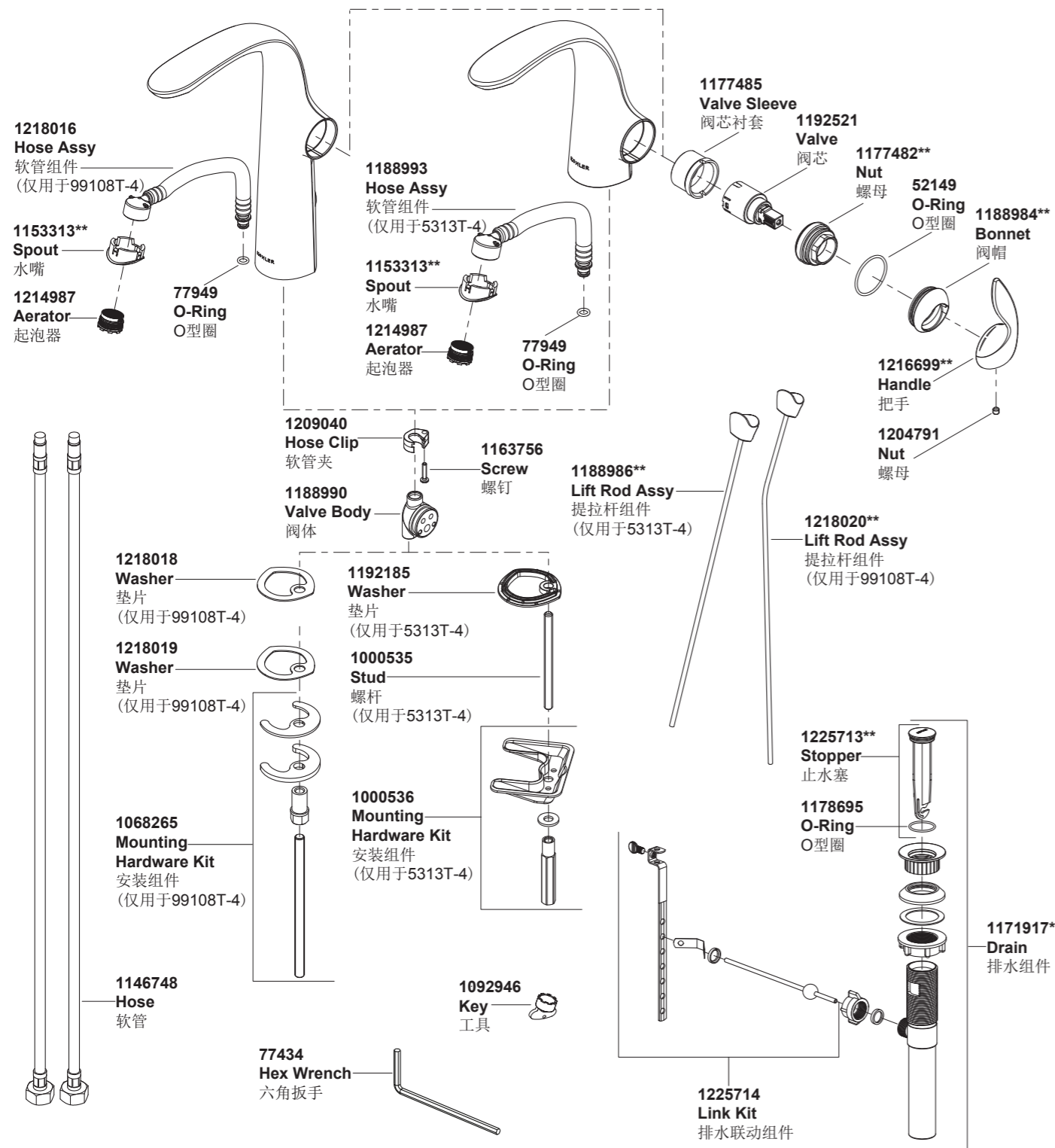


5313T-4 单孔脸盆龙头
99108T-4 单把碗盆龙头



**订购时请说明颜色编号
**Color code must be specified when ordering

5313T-4 单孔脸盆龙头
99108T-4 单把碗盆龙头

安装之前

所有的资料是按最新出版的产品资料编写而成。科勒公司保留任何时候不经通知即可改变产品特性、包装或产品可供类型的权利。

说明书包括重要的安装、保养及清洁方面的内容，请把这些资料交给用户阅读。

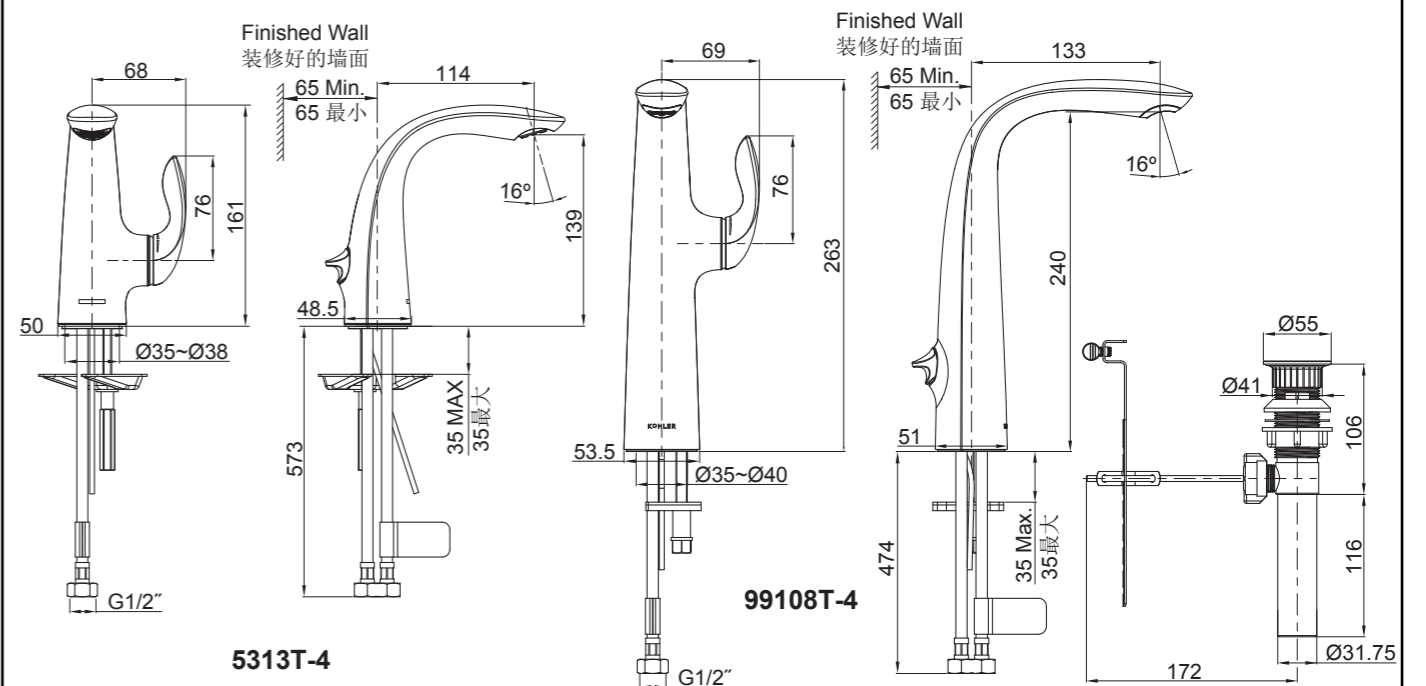
注意事项：

1. 一定要先彻底冲洗供水管以清除管道中的杂质。
2. 检查供水管有无损坏和漏水。如需要，进行替换和维修。
3. 遵守当地管路安装条例。
4. 尽可能在安装脸盆之前安装水龙头。

使用说明

轻轻打开手柄，顺时针转为热水，逆时针转为冷水。

安装尺寸



5313T-4

99108T-4

G1/2"

G1/2"

G1/2"

G1/2"

安装步骤

INSTALLATION

如何安装水龙头

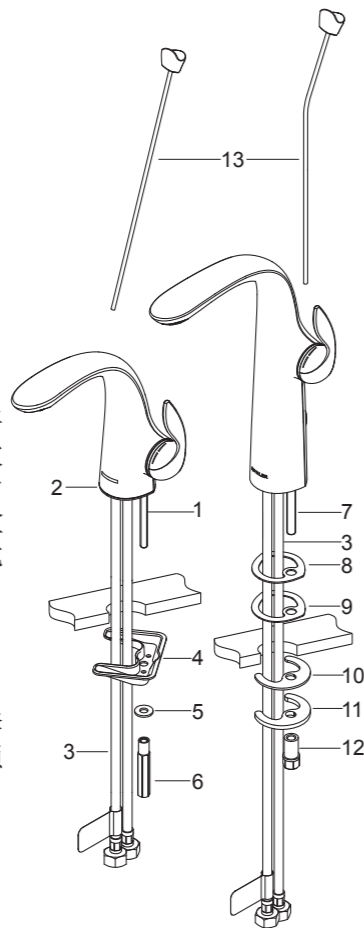
对于5313T-4, 将固定螺栓(1)装到龙头的底部(2), 把供水软管(3)插入脸盆安装孔中。

从脸盆下方将托架(4)和垫片(5)套在固定螺栓上。调整水龙头的位置, 锁紧螺母(6)以固定水龙头。

对于99108T-4, 撕掉垫片(9)上的纸, 将垫片(9)贴到不锈钢垫片(8)上。依次将固定螺栓(7)、不锈钢垫片(8)和垫片(9)装到龙头上, 把供水软管(3)插入脸盆安装孔中。将提拉杆组件(13)插入到龙头后方的孔中。

从脸盆下方将橡胶垫片(10)和托架(11)套在固定螺栓上。调整水龙头的位置, 锁紧螺母(12)以固定水龙头。

把软管接到水源, 贴有“COLD”标签软管连接到冷水。



How To Install The Faucet

For 5313T-4, install mounting stud(1) and washer(2) into the faucet base. Insert the flexible hoses(3) into the mounting hole of the lavatory.

From underside of the lavatory, place the bracket(4) and washer(5) onto the mounting stud. Position the faucet. Tighten the nut(6) to secure the faucet.

For 99108T-4, remove the paper of the washer(9), stick the washer to the stainless steel washer(8). Install mounting stud(7), stainless steel washer(8) and washer(9) into the faucet base in turn. Insert the flexible hoses(3) into the mounting hole of the lavatory. Insert the lift rod(13) to the back hole on the faucet.

From underside of the lavatory, place the rubber washer(10) and bracket(11) onto the mounting stud. Position the faucet. Tighten the nut(12) to secure the faucet.

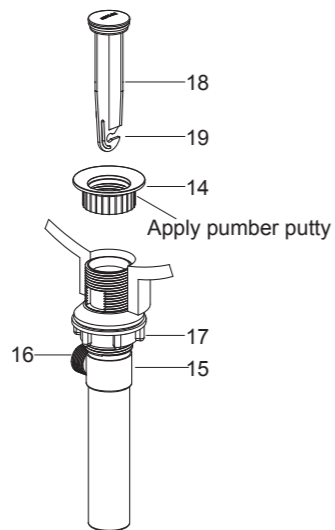
Attach the hoses to water supplies. The hose with “COLD” label is for cold water.

如何安装排水器

将盘片(14)从排水本体(15)上取下, 在排水器盘片底面沿周围涂一圈密封油灰或其他密封剂, 把排水器盘片装入到排水孔中。把排水本体从脸盆下方旋紧到盘片中, 排水杆口(16)朝后方, 从下方用手拧紧锁紧螺母(17)。

注意: 在锁紧螺母(17)拧紧后, 不可调整排水本体的位置, 否则会破坏油灰密封或密封剂密封。

把止水塞(18)放入排水本体中, 调整止水塞末端的洞口(19)使其靠近并对正排水杆的洞口。



How To Install The Drain

Remove the flange(14) from drain body (15). Apply a ring of plumber putty or other sealants around the underside of the drain flange. Install flange to the drain hole of the lavatory. Screw drain body into flange with drain lever hole(16) facing to the back of lavatory. Tighten the locknut(17) by hand from the underside of the fixture.

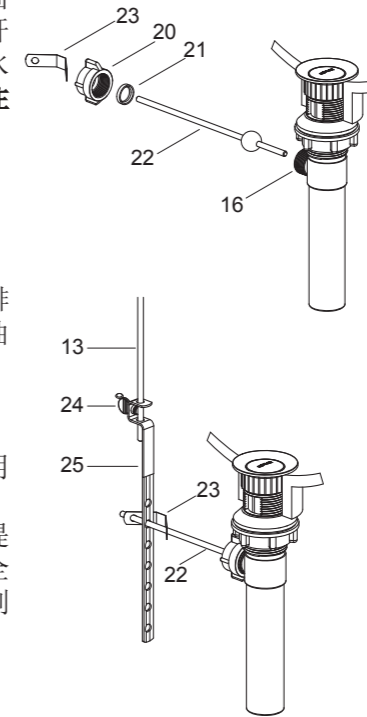
NOTE: Do not reposition the drain after the locknut(17) is tightened, or you may break the putty seal.

Place stopper(18) into drain body aligning the flat side of stopper hole(19) with the drain lever hole.

将固定螺母(20)取下, 塑料垫圈(21)和固定螺母套进球杆(22)长的一端。把球杆组件插入到排水杆口(16), 并穿过止水塞末端的洞口(19), 拧紧固定螺母。**注意:** 固定螺母不要拧的过紧。

确定球杆指向洗脸盆后方, 再次拧紧排水本体的锁紧螺母(17), 去除多余的油灰。

把手捻螺丝(24)装到联杆(25)上。用“V”形夹(23)将联杆连到球杆(22)上, 将提拉杆(13)插入联杆的孔中, 调整提拉杆的位置, 将球杆下推至排水组件全开位置, 调整提拉杆使提拉杆头接触到龙头本体。拧紧手捻螺丝(24)。



Remove the retaining nut(20). Fit the plastic washer(21) and retaining nut into the long end of ball lever rod(22). Insert the ball lever assembly into the drain lever hole(16) and through the stopper hole(19), and tighten the retaining nut. **NOTE:** Do not overtighten the retaining nut.

Be sure that the ball lever points to the back of the lavatory. Tighten the locknut (17) onto the drain body. Remove any excess putty.

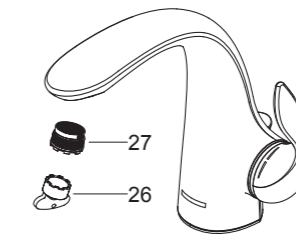
Assemble thumb screw(24) to link(25), and link onto ball lever rod(22) with “V”-clip (23). Slide lift rod(13) into the hole in link. Position the lift rod. Push the ball lever down into the open position, and adjust the lift rod to make sure the lift rod knob touch the faucet. Tighten thumb screw(24).

安装结果检查

检查并确保所有的衔接处都已拧紧。确保把手在“关”的位置。

打开排水器和主要供水源, 检查并修理有漏水的接口。

用工具(26)取下起泡器组件(27), 打开水龙头的冷热水, 让水流出约一分钟以清除杂质, 检查渗漏。冲洗起泡器, 关闭水龙头, 重新装回起泡器组件。



INSTALLATION CHECKOUT

Ensure all coupling nuts are tight. Ensure that the handle is in the close position.

Turn on the drain and main water supply, and check for leaks. Repair as needed.

Remove the aerator assembly(27) by the key(26). Run hot and cold water through faucet for about one minute to remove any debris. Check for leaks. Repair as needed. Remove any debris from the aerator assembly. Shut off the faucet. Reinstall the aerator assembly.

清洗说明

适用于所有加工处理过的表面: 以中性肥皂水清洗镀层表面, 再以干净的软布彻底擦干整个表面, 许多清洁剂, 比如氨水、去污粉及洁厕灵等, 会对电镀表面造成伤害, 切忌使用。

有磨损性的清洁用具或清洁剂也不可适用于科勒牌的水龙头及其配件上。

CLEANING INSTRUCTIONS

All Finishes: Clean the finish with mild soap and warm water. Wipe entire surface completely dry with clean soft cloth. Many cleaners may contain chemicals, such as ammonia, chlorine, toilet cleaner etc. which could adversely affect the finish and are not recommended for cleaning.

Do not use abrasive cleaners or solvents on Kohler faucets and fittings.