

KOHLER®

INSTALLATION INSTRUCTIONS

安装说明书

瑞芙尼

REFINIA

Bath Spout With Diverter

5327T 浴缸出水嘴（带分水器）

安装之前

所有的资料是按最新出版的产品资料编写而成。科勒公司保留任何时候不经通知即可改变产品特性、包装或产品可供类型的权利。

说明书包括重要的安装、保养及清洁方面的内容，请把这些资料交给用户阅读。

注意事项：

- 1.一定要先彻底冲洗供水管以清除管道中的杂质。
- 2.切断供水管路。
- 3.遵守所有当地管路安装及建筑条例。

BEFORE YOU BEGIN

All information is based on the latest product information available at the time of publication. Kohler Co. reserves the right to make changes in product characteristics, packaging, or availability at any time without notice.

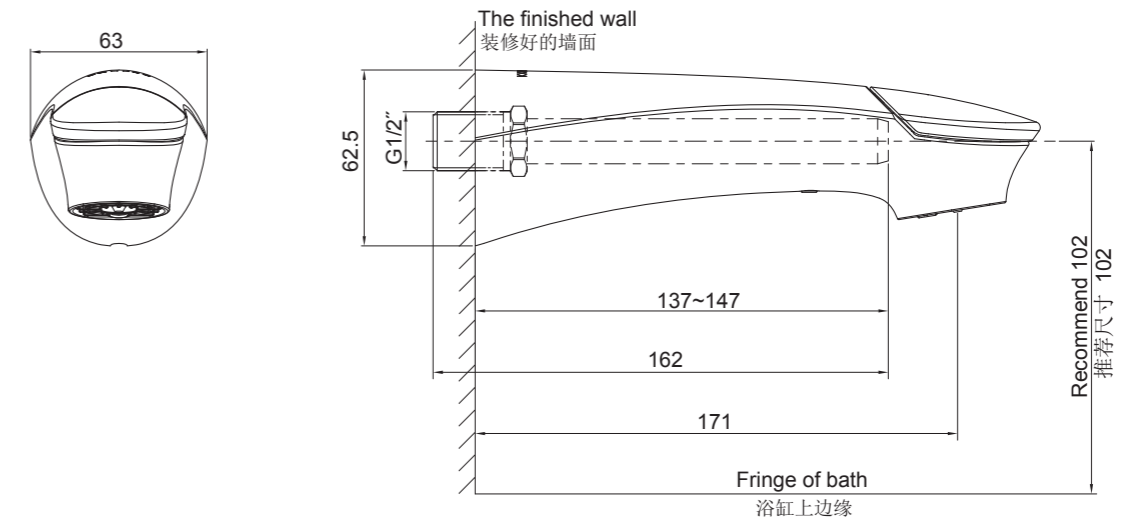
Please leave these instructions for the consumer. They contain important information.

NOTES:

1. Flush the water supply pipes thoroughly to remove any debris.
2. Shut off the water supplies to the fitting.
3. Observe all local plumbing and building codes.

安装尺寸

ROUGH-IN DIMENSIONS



安装步骤

为使安装顺利，G1/2"内螺纹管道(钻孔的直径不超过41mm)配件(1)应已居中安装好。

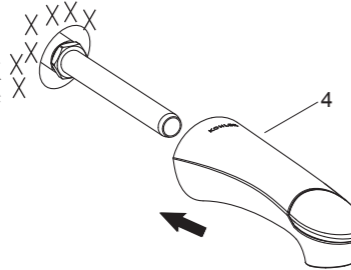
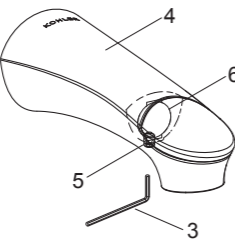
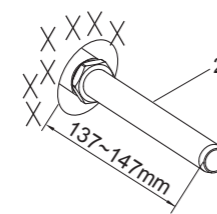
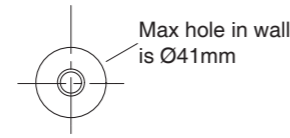
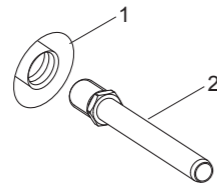
注意：管道配件要垂直并不能突出已装修好的墙面，但低于墙面不能超过13mm。

在接头(2)的G1/2"螺纹处缠绕足以密封的密封胶带或涂合适的密封胶，用扳手安装接头，并使其露出墙外的长度在137~147mm之间。

用六角扳手(3)旋松出水口(4)底部的固定螺钉(5)，使出水口可装入接头即可。

注意：切勿使固定夹(6)脱落。

在出水口(4)底部涂一圈油灰或其它胶。将出水口装入接头(2)，调整出水口的位置，小心地把出水口下方的固定螺丝拧紧。去除多余油灰。



INSTALLATION

To perform installation, installer must provide G1/2" female supply fitting(1) and the maximum hole in wall is $\varnothing 41\text{mm}$.

NOTE: The supply fitting should not be beyond, but below the finished wall less than 13mm, and vertical with finished wall as well.

Apply tape or thread sealant to G1/2" threads of the connector(2). Install the connector onto the supply fitting. Secure it with a wrench and make it extend 137~147mm beyond the finished wall.

Loosen the screw(5) in the bottom of the spout(4) with the hex wrench(3), make the connector can be installed.

NOTE: Do not fall the clamp(6) off.

Apply a ring of plumbers putty or other sealants to the spout kit(4) base. Install the spout kit onto the connector(2), adjust the spout kit to the setscrew hole downwards. Be carefully tighten the setscrew at the bottom of the spout kit by the hex wrench provided. Remove any excess putty.

安装结果检查

检查并确保所有的衔接处都已拧紧。打开排水系统和主要供水源，检查并修理有漏水的接口。

打开冷热水，让水流出约一分钟以清除杂质。检查渗漏，清除杂质，关闭水源。

INSTALLATION CHECKOUT

Ensure that all connections are tightened. Open the drain. Turn on the main water supply and check for leaks. Repair as required.

Run hot and cold water through spout about one minute to remove any debris. Check for leaks at this time. Remove any debris. Turn off the water supply.

清洗说明

适用于所有加工处理过的表面：以中性肥皂水清洗镀层表面，再以干净的软布彻底擦干整个表面，许多清洁剂，比如氨水、去污粉及洁厕灵等，会对电镀表面造成伤害，切忌使用。

有磨损性的清洁用具或清洁剂也不可适用于科勒牌的水龙头及其配件上。

CLEANING INSTRUCTIONS

All Finishes: Clean the finish with mild soap and warm water. Wipe entire surface completely dry with clean soft cloth. Many cleaners may contain chemicals, such as ammonia, chlorine, toilet cleaner etc, which could adversely affect the finish and are not recommended for cleaning.

Do not use abrasive cleaners or solvents on Kohler faucets and fittings.

KOHLER®

SERVICE PARTS

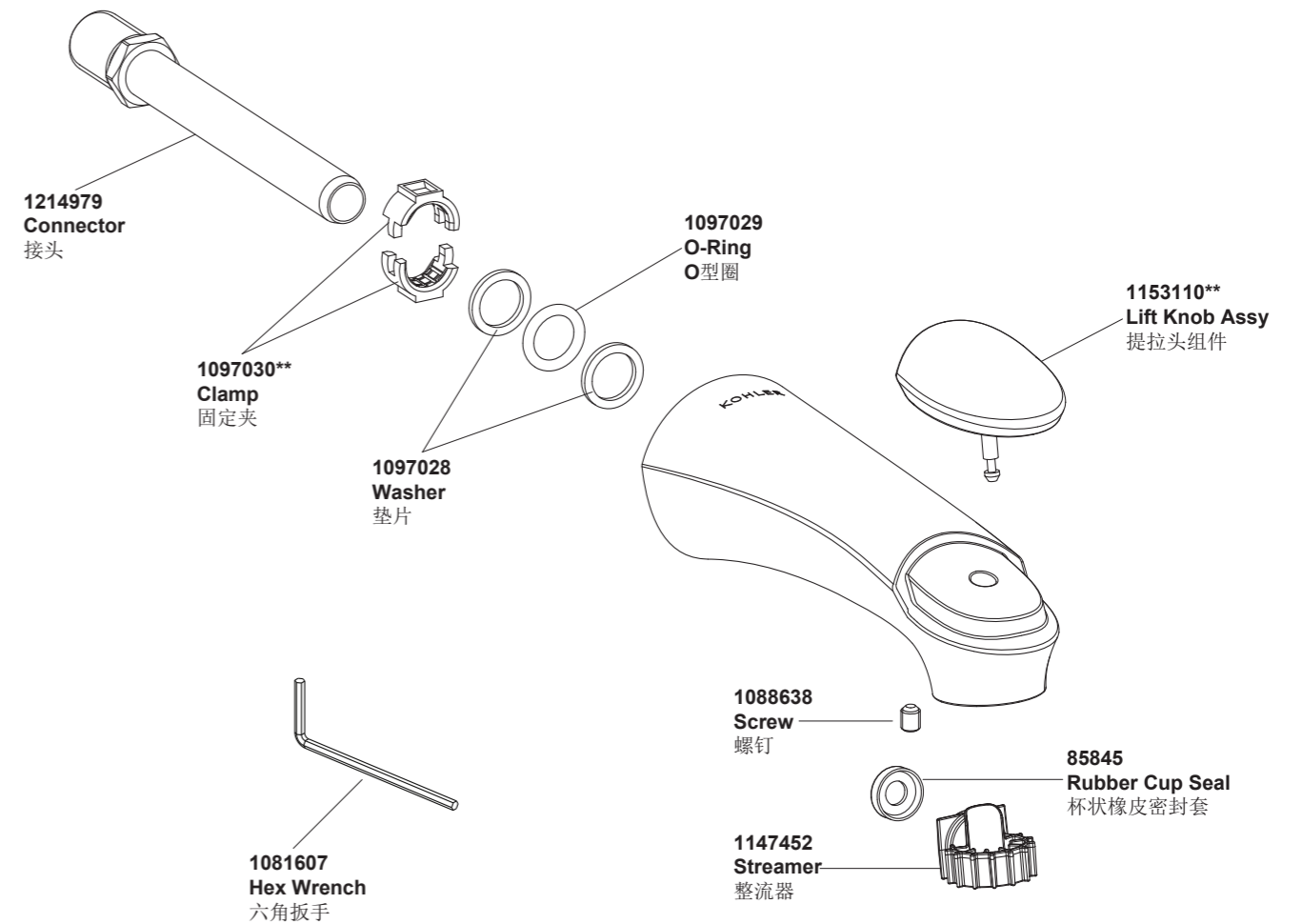
零件图

瑞芙尼

REFINIA

Bath Spout With Diverter

5327T 浴缸出水嘴（带分水器）



**订购时请说明颜色编号

**Color code must be specified when ordering