

BEFORE YOU BEGIN

- Read installation guide in illustration and word file carefully, and install the tank according to instructions in the guide to avoid product damage and installation inconvenience caused by inappropriate operation.
- All data contained is based upon the last product information available at the time of publication. Kohler Company reserves the right to implement changes of product characteristics, packaging and availability at any time without further notice.
- Do not apply erosive cleanser and solvent in the tank, which will damage tank spares and result in leakage in the tank. Kohler will not be responsible for any damage related to above mentioned cleanser or solvent.
- Do not apply spares that are not provided by Kohler, and please note that glass adhesive tape shall not be applied to the installation of Kohler spares. Kohler will not be responsible for any damage related to installation with spares not provided by Kohler.
- Water temperature must not exceed 27°C.

安装之前

- 请仔细阅读图示说明及文字安装说明，按照说明书的步骤安装，以避免产品损坏或不良操作导致安装不便。
- 所有的资料是按出版时的最新产品资料编写的，本公司保留在任何时候不需通知便可更改产品的特征、包装或供应产品的权利。
- 请不要在水箱内使用具有腐蚀性的清洁剂或溶剂，否则会严重地损坏水箱配件，导致漏水。因使用上述清洁剂或溶剂而使水箱不能正常使用或出现其它连带性的损坏，本公司恕不负责。
- 请不要采用非本公司提供的零件，如玻璃胶等不能用于本公司配件的安装。因使用非本公司提供的零件安装而本公司产品导致的损坏，本公司恕不负责。
- 使用水温不超过27°C。

Ordering Information

RATIO In-Wall Tank Faceplate.....K-6283T
HYDRO-TOWER 100 In-Wall Tank(With Frame)K-6284T
ODEON In-Wall Tank(Without Iron Rack)K-6285T

订购信息

瑞舒隐藏水箱面板.....K-6283T
海德丽100入墙式隐藏水箱(含固定支架)K-6284T
奥帝安入墙式隐藏水箱(不含固定支架).....K-6285T

Function Explanation

- Anti flow-backwards
- Adjustment of inlet water level
- Adjustment of flushing volume
- Single/double gear flushing
Water usage (K-6284T): 3/6L
Water usage (K-6285T): 7.7 ± 0.2L
Same water usage for both small/big push buttons
- Adjustable toilet height

功能说明

- 防倒流功能
- 进水水位可调节功能
- 冲水水量可调节功能
- 双档冲水功能
水量(K-6284T): 3/6L
水量(K-6285T): 7.7 ± 0.2L
按下大冲/小冲按钮后水量相同
- 座便器高度可以调节功能

Design And Installation Concept Of In-wall Tank

- Installation of in-wall tank is much easier and nice-looking comparative to that of traditional tank. Meanwhile, the space layout will be more reasonable due to the application of in-wall tank pipes and connectors.
- The most remarkable advantage of in-wall tank is that the installation will never be limited to certain area, and can be installed wherever as you wish, which will make the bathroom layout more reasonable and nice-looking, and make good use of every inch of the bathroom space.

隐藏水箱设计安装概念

- 隐藏式水箱提供了简单快捷的安装方式，与传统的安装方式相比更完善、更美观。同时由于使用了隐藏式的管路布置，使空间布局更为合理。
- 使用隐藏式水箱的显著优点是不再限于某一固定的地方安装，可以灵活地设置，从而使整个浴室布局更为合理、更为美观，充分利用每一寸可用空间。

Advantages Of In-wall Tank

- Made of macromolecular materials that prevents corrosion and leaking.
- Adjustable dual flush design which conserves water.
- Sustainable to pressure of 400 kg.
- Will not affect the structure of the wall and provides excellent sound insulation.
- Easy installation and time efficient.
- Do not need to prepare any other spare parts.
- Easy maintenance and servicing.
- Clean, garbage free, and space saving.

隐藏式水箱的优点

- 抗冲击，耐腐蚀的高分子材质水箱，杜绝漏水的可能性。
- 可调双冲设计，有效节水功能。
- 可承受400公斤的压力。
- 不影响墙体结构，出色的隔音效果。
- 安装简便、快捷，省时省力。
- 无需准备其它的安装配件。
- 维护简易，无需改动墙体。
- 卫生清洁，无垃圾陈积，节省空间。

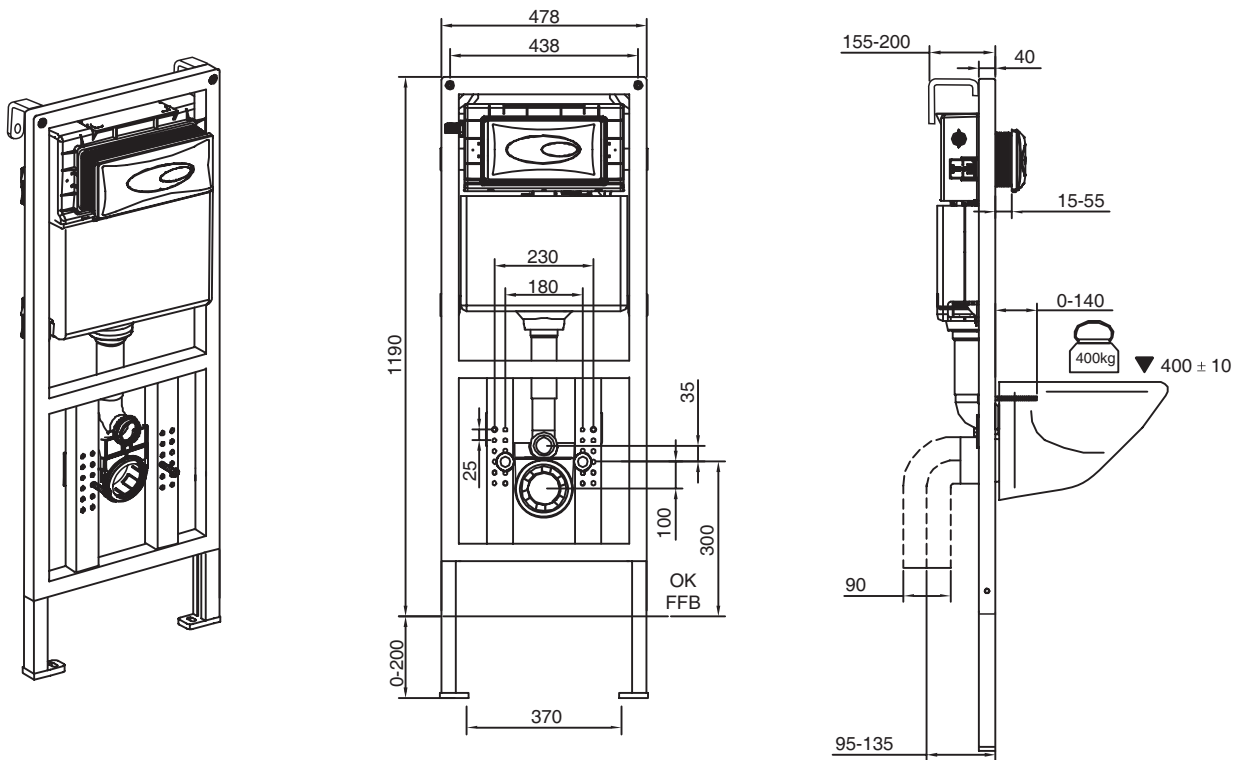
ROUGHING-IN

尺寸图

Installation dimensions with iron rack

座便器的安装尺寸

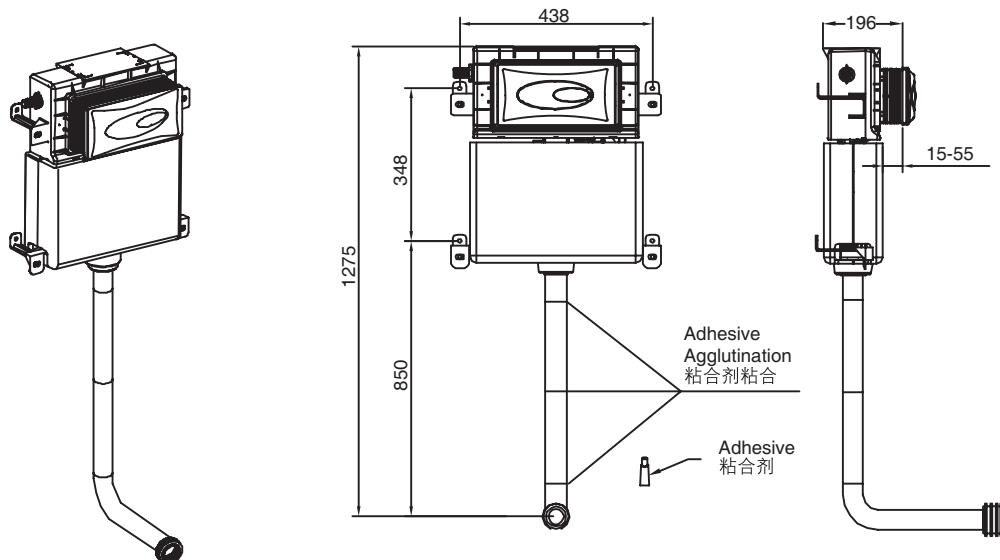
UNIT: mm
单位: 毫米



Installation dimensions without iron rack

蹲便器的安装尺寸

UNIT: mm
单位: 毫米



INSTALLATION

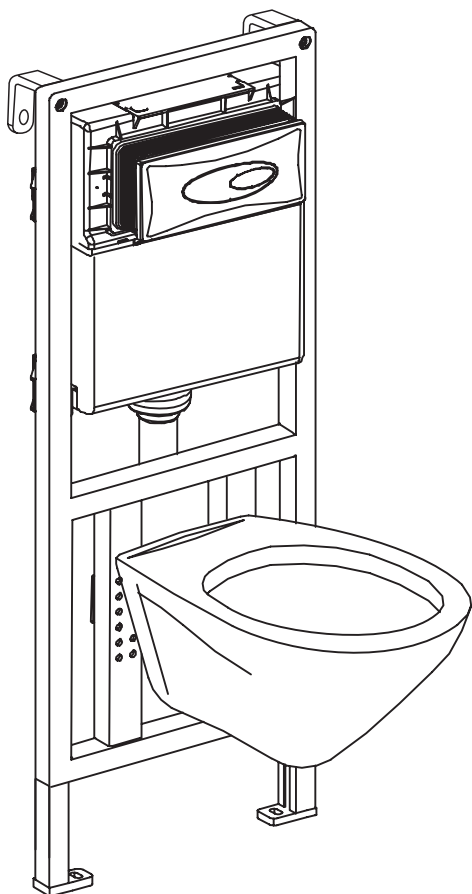
安装

Ways of Installation

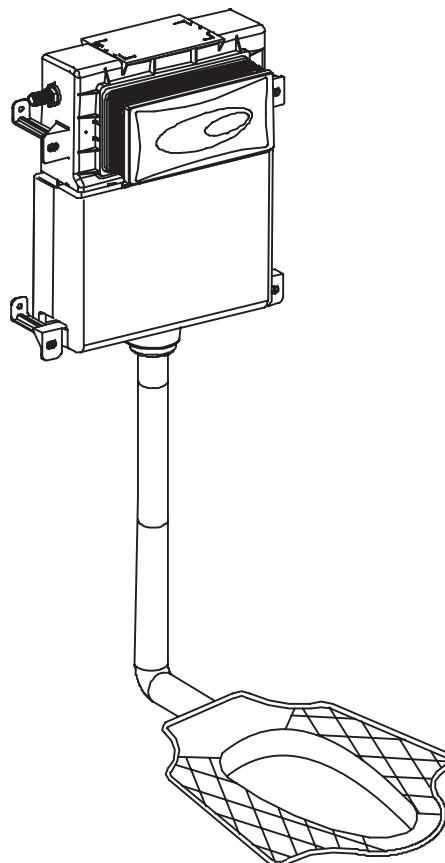
There are two ways of installation for the products: In-wall tank toilet and In-wall tank squat.

安装方式

本产品具有两种安装方式： 隐藏式水箱座便器 隐藏式水箱蹲便器



① In-wall Tank Toilet
① 隐藏式水箱座便器



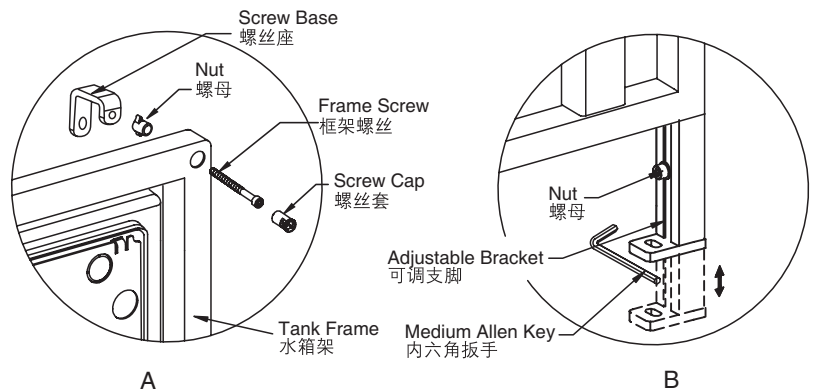
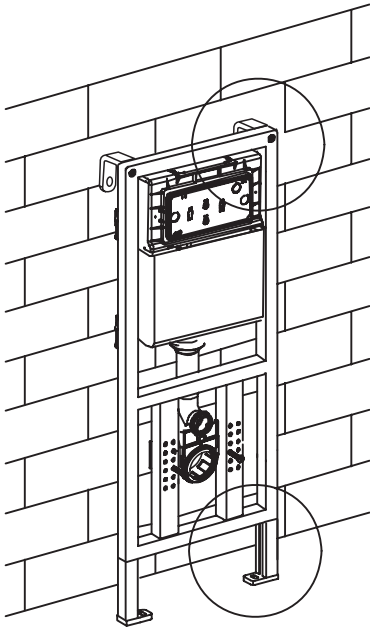
② In-wall Tank Squat
② 隐藏式水箱蹲便器

Installation

A. Installation Procedures Of Toilet

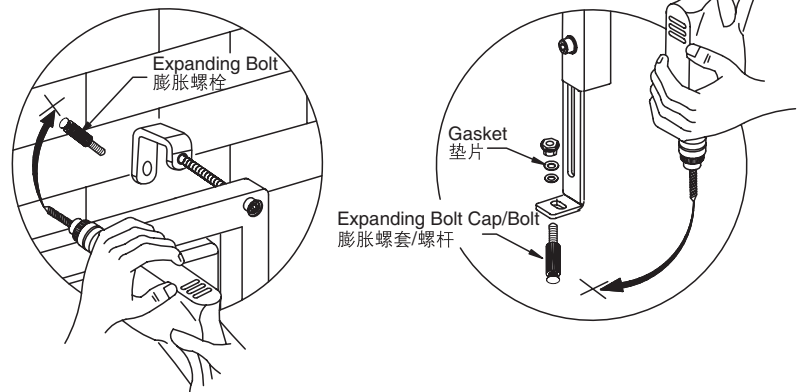
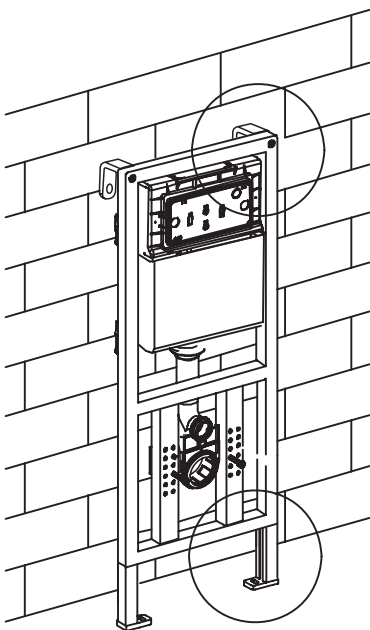
1. Insert the frame screw and screw cap in the holes of fixing frame, lock the frame screw with nut, then tighten the frame screws on the fixing frame with medium Allen key as shown in illustration A.

Tighten the bolts with medium Allen key as shown in illustration B, and adjust the height of the adjustable bracket according to customer's requirements.



2. Drill four holes with diameter of 10mm and depth of 70mm with churn drilling as shown, and fill in the holes with bulge screw (knock in with hammer if necessary) and tighten the screw.

2. 如图用冲击钻钻四个 $\varnothing 10\text{mm}$ 深70mm的小孔，然后装上膨胀螺栓(必要时用榔头敲入)，拧紧螺母。



安装步骤

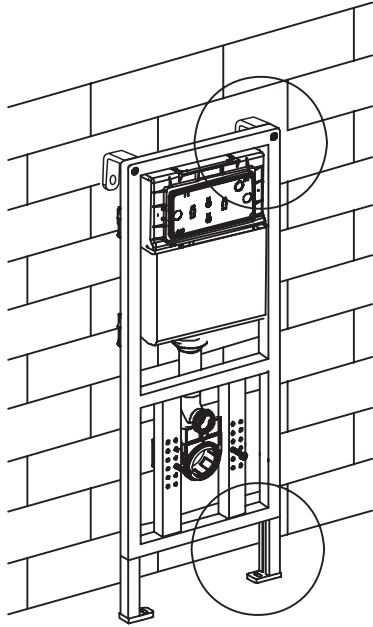
A. 座便器的安装程序

1. 如图A将框架螺丝连同螺丝套装在水箱架小孔内。然后将螺母锁紧在框架螺丝上固定，然后用内六角扳手拧紧在水箱架上。

如图B用内六角扳手拧紧螺母，使用可调支脚可以按照客户的理想高度进行调节。

3. Tighten the hexagonal long screw with medium Allen key as shown in illustration A.
Tighten the screw of adjustable brackets with medium Allen key as shown in illustration B, and tighten the screw with spanner.

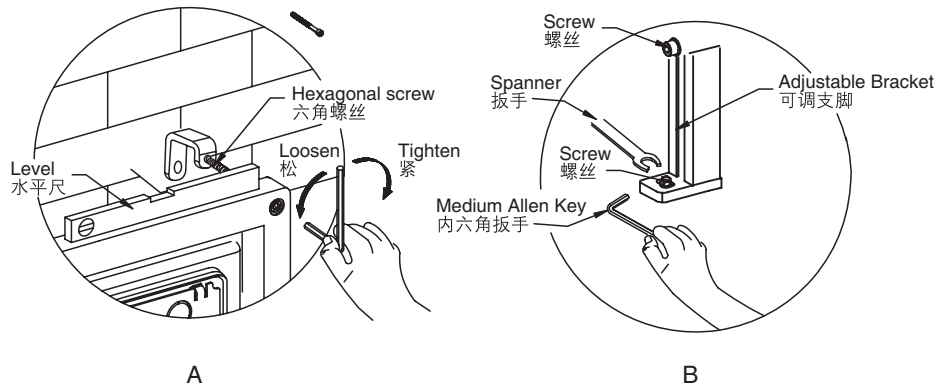
Ensure the tank to remain level.



3. 如图A用内六角扳手把六角长螺钉拧紧。

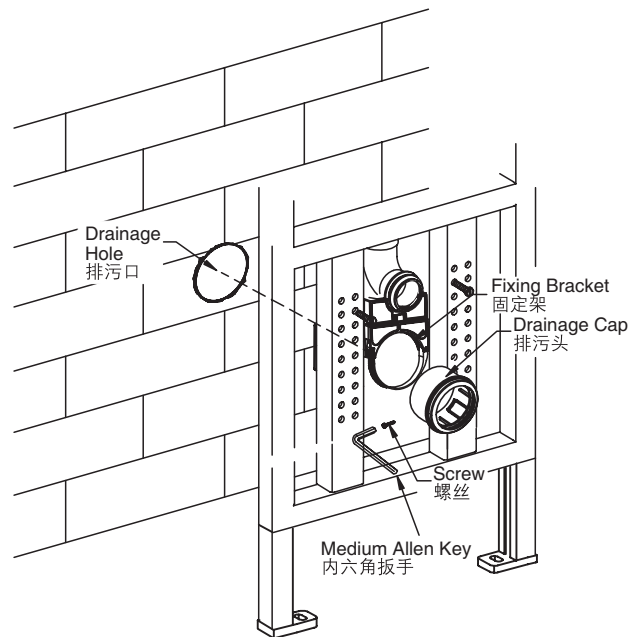
如图B用内六角扳手将可调支架的螺丝拧紧，再用扳手拧紧螺丝。

注：水箱一定要保持平衡。



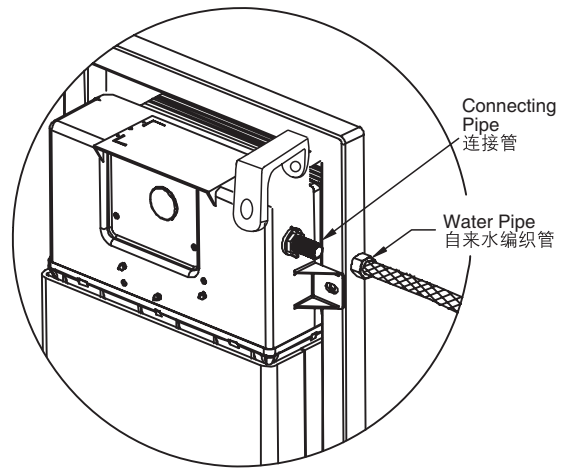
4. Fix the drainage cap on the fixing bracket as shown in the illustration. Tighten the screws with medium allen key and install the drainage cap on the drainage hole.

4. 如图将排污头装在固定架上固定。然后用内六角扳手拧紧螺丝，再将排污头对准墙壁排污口装上。



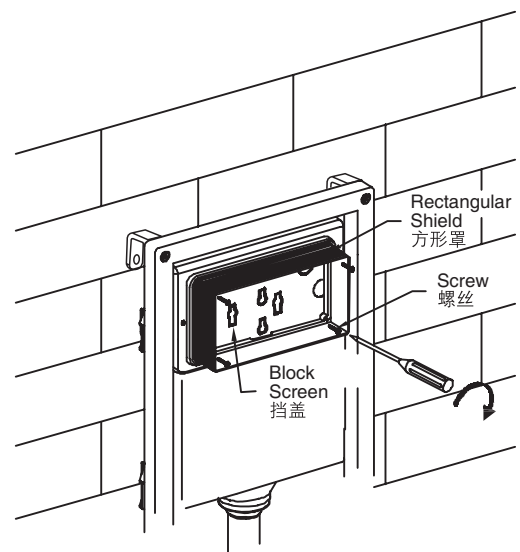
5. Install the water pipe to the connecting pipe at the side of the tank for water supply. (**Inlet valves should be shut down**)

5. 如图所示将自来水编织管装在水箱侧面连接管上供水。
(注：进水角阀需为关闭状态)



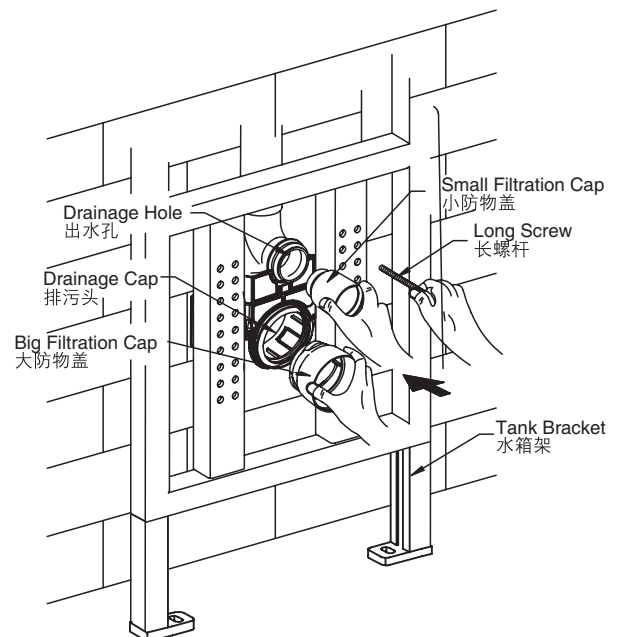
6. Install the rectangular shield in the block screen of the tank, and tighten the screw to fix the rectangular shield to the tank.

6. 如图将方形罩装在水箱的挡盖里,再拧紧螺丝使方形罩紧固在水箱上。



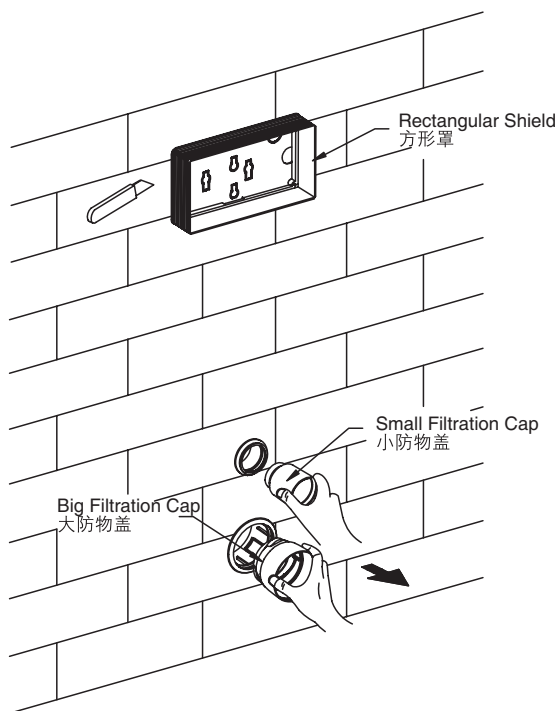
7. Tighten the long screw into the holes of tank bracket, and cover the drainage cap with big filtration cap, and the drainage hole with small filtration cap.

7. 如图将长螺丝杆旋入水箱架的螺丝孔，再将大防物盖装在排污头上，小防物盖装在出水孔上。



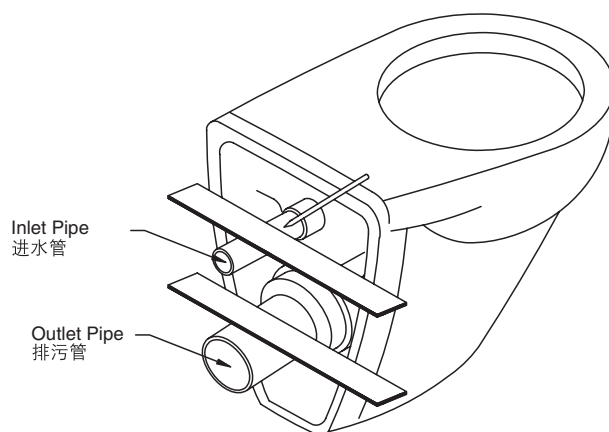
8. When finishing the brickwork of the wall, take out the big and small filtration caps, and eliminate unwanted rectangular shield with a sharp knife.

8. 如图砌完墙后，将大、小防物盖取出，然后用水口刀把方形罩多余的长度锯掉。



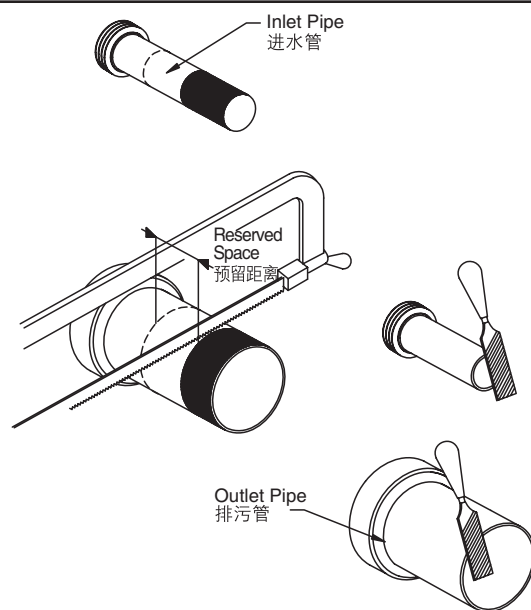
9. Install the inlet pipe and outlet pipe to the lavatory as shown, and mark on the pipes at the back side of the tank with a ruler and a pencil, and reserve appropriate space according to the distance from the back of the tank to the outlet hole on the wall.

9. 按图将排污管、进水管装在座便器上，用直尺放在座便器后面的排污管、进水管用铅笔作标记。再根据座便器后面到墙壁排污头的实际情况作预留距离。



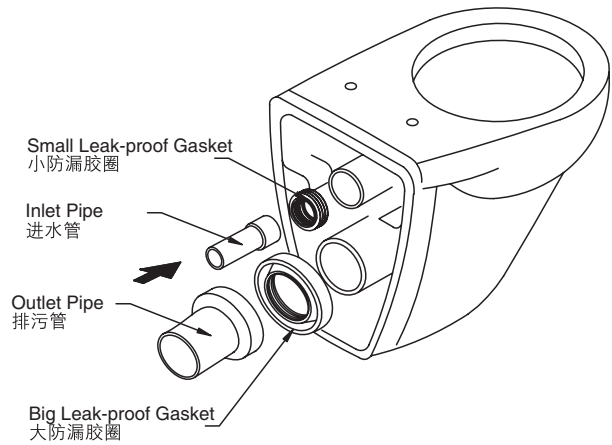
10. Eliminate unwanted part of the inlet pipe and outlet pipe according to the marks of reserved space, and rasp a smooth surface with files.

10. 如图在排污管、进水管已作标记的后端预留的位置上将多余部分锯掉。然后再用锉刀将锯掉的面锉平整并倒角。



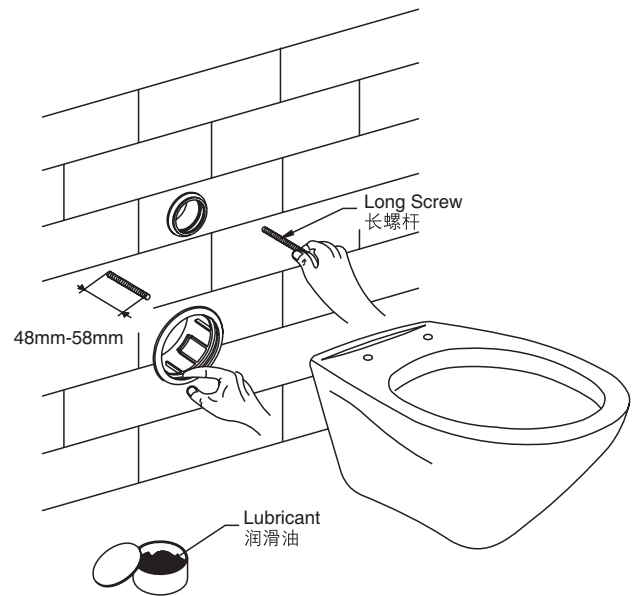
11. Install the big and small leak-proof gaskets on inlet pipe and outlet pipe, then install it to corresponding pipes on the toilet tank.

11. 如图将座便器的排污管、进水管装上大、小防漏胶圈，然后装在座便器的相对应管道。



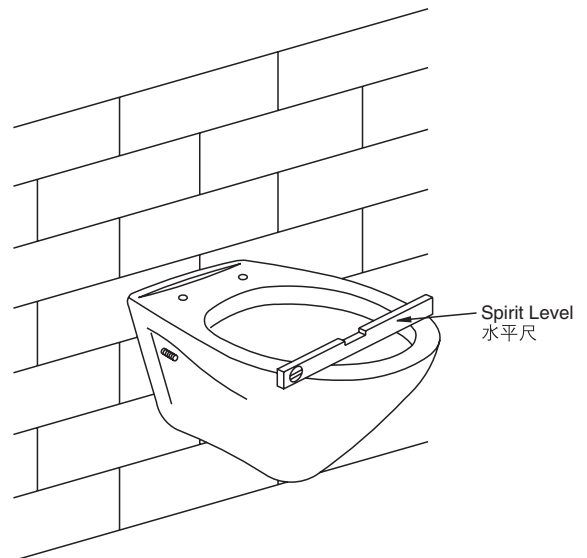
12. 48mm-58mm of the long screw shall be reserved outside the wall as shown in the illustration. If the long screw outside the wall is not long enough or much longer than that needed, it should be adjusted with screwdriver or by hand. Then apply lubricant to drainage pipe and limber pipe to ensure a smooth installation.

12. 如图长螺杆在墙壁上凸出来的尺寸应该保留48mm-58mm之间。假如长螺杆长度不够或过长就用手或螺丝刀适量调节。然后用润滑油涂在排污头、出水孔上涂上润滑同，使排污管、进水管安装畅顺。



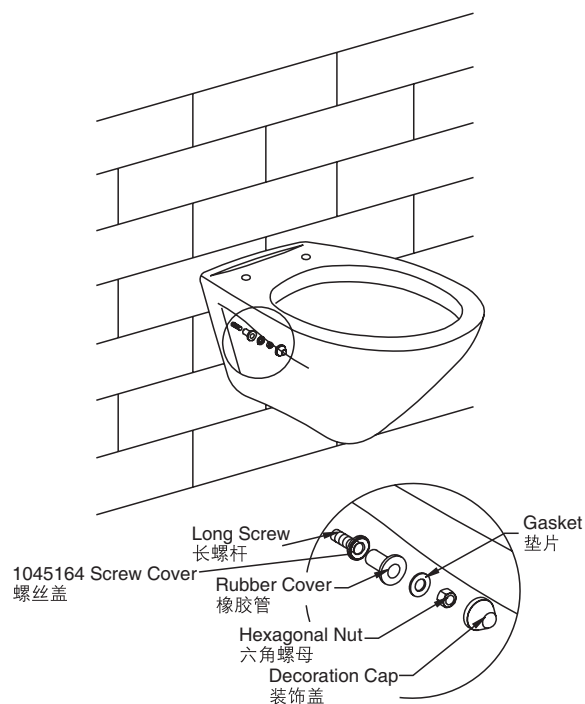
13. Install the Toilet as shown in the illustration, and use a spirit level to ensure the lavatory to remain level.

13. 如图将座便器装上，并用水平尺测量座便器是否平衡。



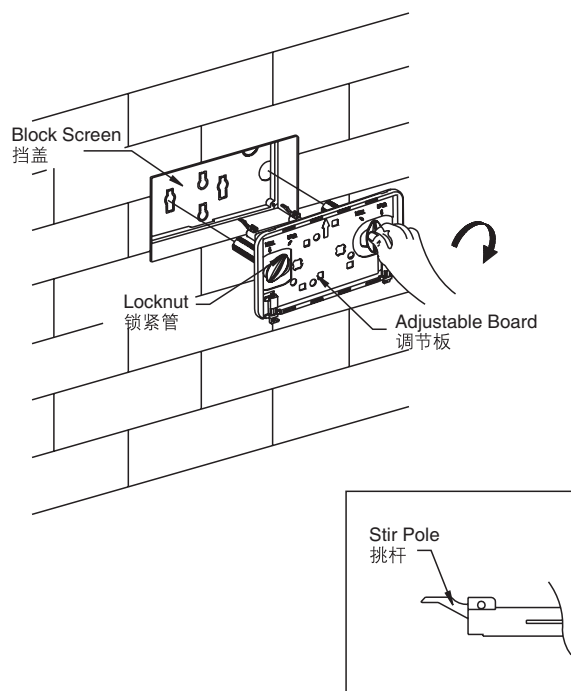
14. Install the rubber cover gasket, hexagonal nut and decoration cap onto long screw according to the order shown in the illustration.

14. 如图将橡胶套、垫片套在长螺杆上。然后拧紧六角螺母，最后盖上装饰盖即可。



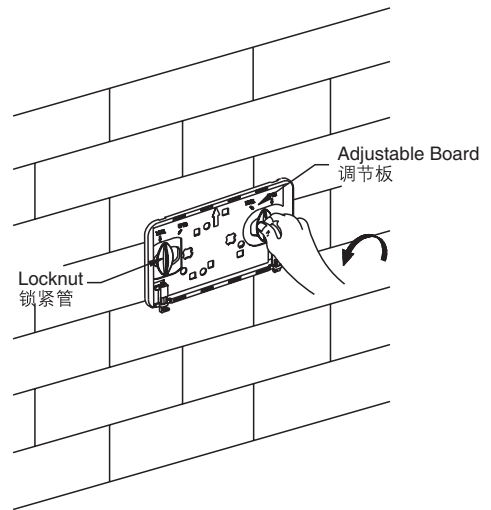
15. When fixing the adjustable board to block screen, the locknut should be put directly on positing of the sign of "OPEN". Remark: Stir pole shall remain level.

15. 如图将调节板上挡盖时，锁紧管要对准标识“OPEN”字样才装上。注：挑杆要保持平衡，不能向后翘起。



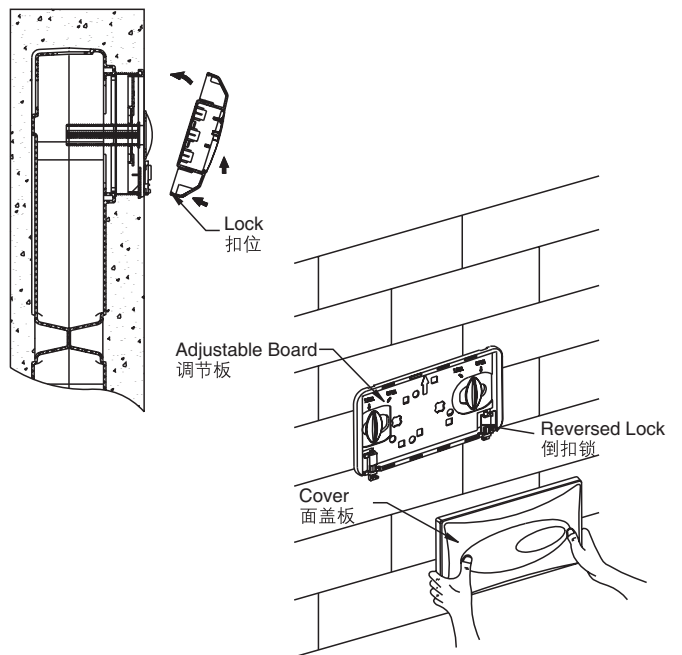
16. Fix the adjustable board on the wall by tightening the locknut as shown in the illustration. And the locknut should be directly put on the position of the sign of "LOCK". (Indications are marked on the adjustable board, please refer to indications in installation)

16. 如图用手旋转锁紧管使调节板固定在墙壁上。锁紧管对准“LOCK”标识才固定好。(调节板已有标识, 请安装时请按标识进行)



17. Install the cover as shown in the illustration. Put the lock on the cover directly on the reversed lock on adjustable board, then push the cover and lock it. The installation shall begin from bottom to top.

17. 如图安装面盖板。将面盖板扣位对准调节板的倒扣锁, 然后用力向上推再向前扣紧。安装时要从下而上安装。



18. In-wall tank toilet is ready to be put into use.

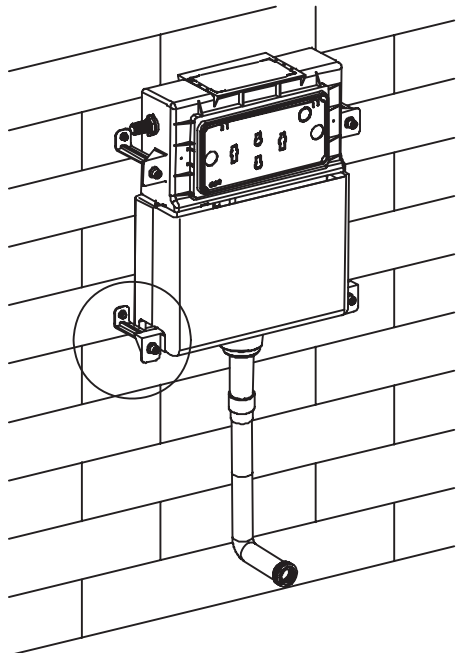
18. 安装完毕可以使用。



B. Fixing Squat

1. Mark on the wall for appropriate position for fixing bracket, and drill four holes with diameter of 12mm and depth of 70-76mm with churn drilling as shown in illustration, and fill in the holes with bulge screw and tighten the screw to set the fixing bracket.

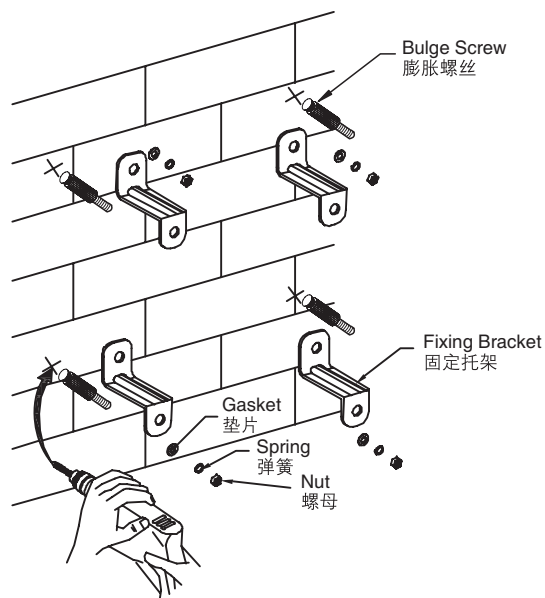
Note: Ensure the fixing bracket to remain level.



B. 蹲便器的安装程序

1. 如图首先在墙壁上把固定托架的安装孔作记号后，用冲击钻钻四个 $\varnothing 12\text{mm}$ 深 70-76mm 的小孔，然后装上膨胀螺丝，再把固定托架装在膨胀螺栓上拧紧螺母。

注：固定托架要保持平衡。

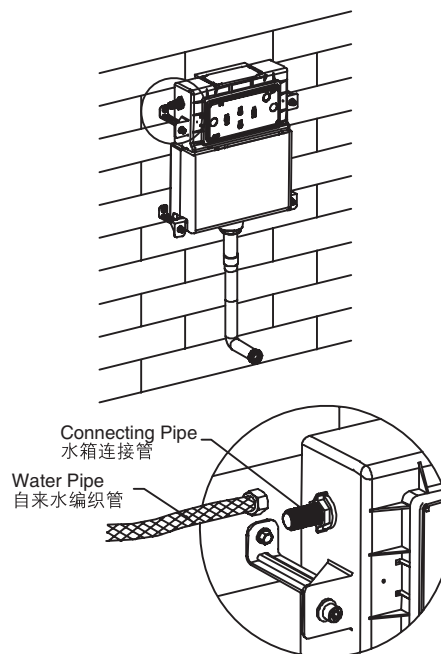
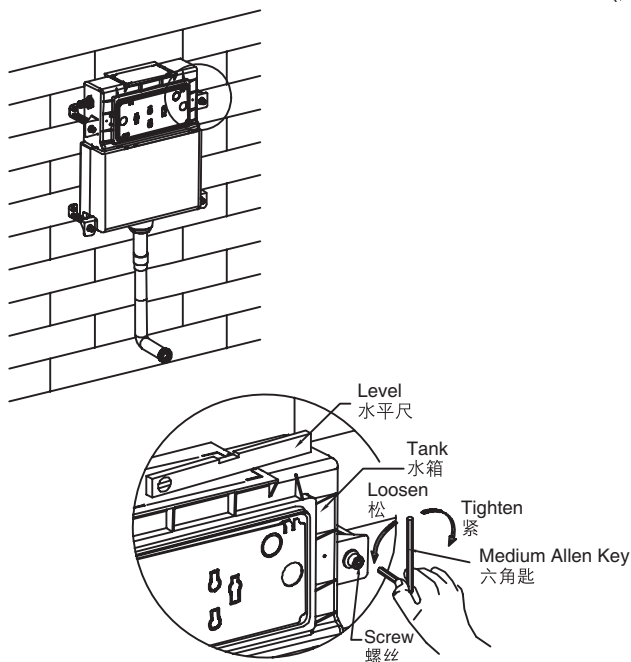


Put the tank onto the fixing bracket as shown in the right figure and adjust the tank to level. Then tighten screws with hex-head key. Note: it is a must to keep the tank level.

如图把水箱放在固定托架上，用水平尺调整水箱平衡，再用六角匙将螺丝拧紧。注：水箱一定要保持平衡。

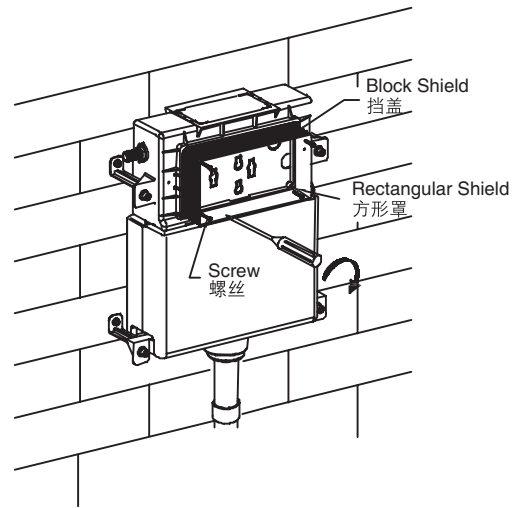
Connect the inlet hose with tank inlet pipe. (Note: it is necessary to keep the inlet valve closed at this step.)

如图将自来水编织管装在水箱连接管上供水。(注：进水角阀必需关闭状态)



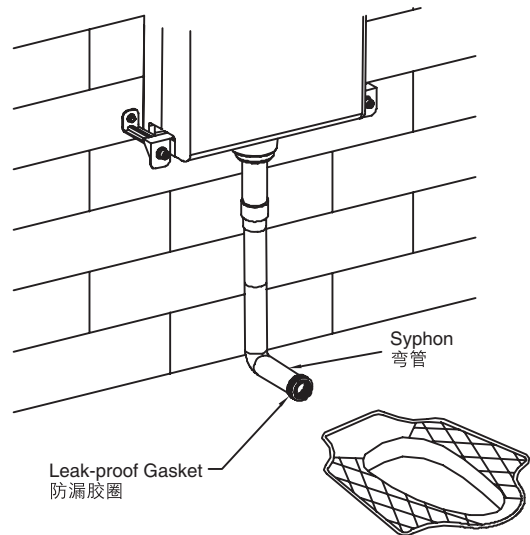
3. Install the rectangular shield in the block screen of the tank, and tighten the screw to fix the rectangular shield to the tank.

3. 如图将方形罩装在水箱的挡盖里，再拧紧螺丝使方形罩固定在水箱上。



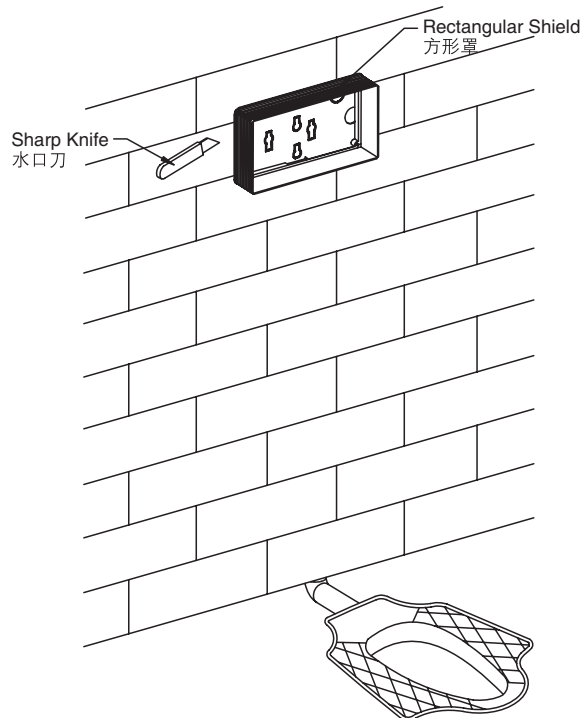
4. Fix the leak-proof gasket to syphon as shown in illustration, and adjust the syphon to appropriate position to be fixed to the infall of squat.

4. 如图将防漏胶圈套入弯管的端口，然后调整弯管到合适位置后装在蹲便器的进水口上。



5. When finishing the brickwork, eliminate unwanted part of the rectangular shield.

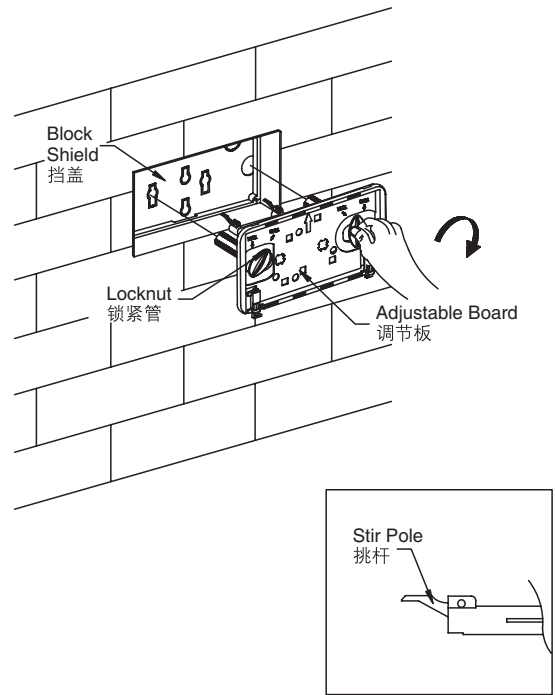
5. 如图砌完墙后，将方形罩多余的长度用水口刀锯掉。



6. When fixing the adjustable board to block shield, the locknut should be put directly on positong of the sign of "OPEN".

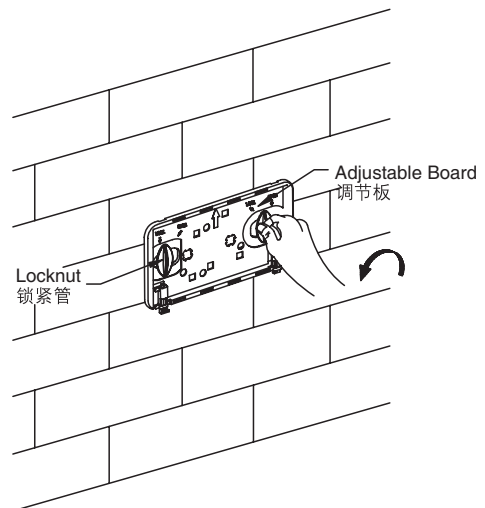
Remark: Stir pole shall remain level.

6. 如图将调节板装上挡盖时，锁紧管要对准标识“OPEN”字样才装上。
注：挑杆要保持平衡，不能向后翘起。



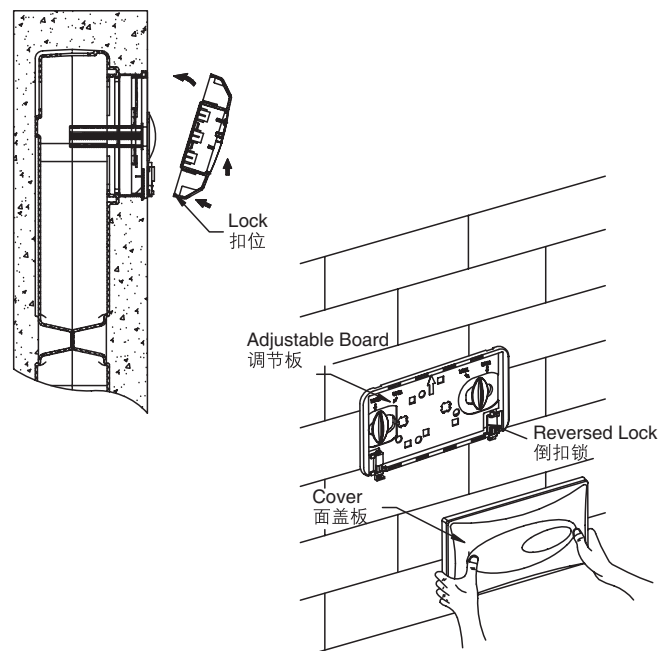
7. Fix the adjustable board on the wall by tightening the locknut as shown in the illustration. And the locknut should be directly put on the position of the sign of "LOCK". (Signs are marked on the adjustable board, please refer to the indications in installation)

7. 如图用手旋转锁紧管使调节板固定在墙壁上。锁紧管对准“LOCK”标识才固定好。（调节板已有标识，请安装时请按标识进行）



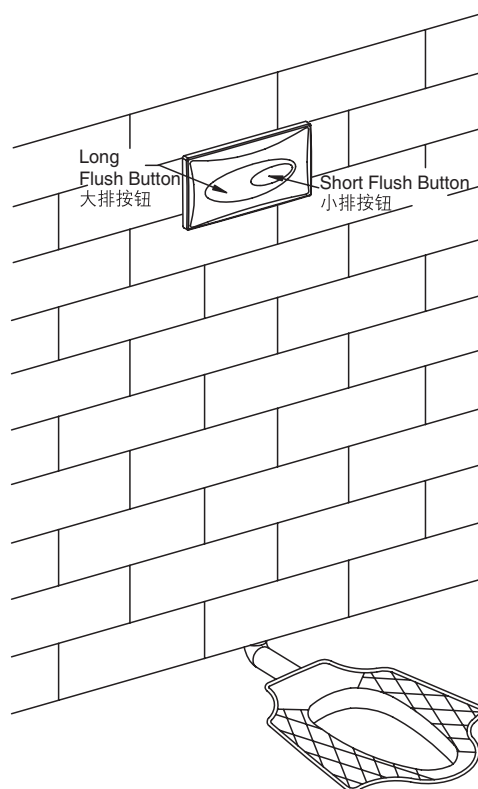
8. Install the cover as shown in the illustration. Put the lock on the cover directly on the reversed lock on adjustable board, then push the cover and lock it. The installation shall begin from bottom to top.

8. 如图安装面盖板。将面盖板扣位对准调节板的倒扣锁，然后用力向上推再向前扣紧。安装时要从下而上安装。



9. In-wall tank toilet is ready to be put into use.

9. 安装完毕可以使用。

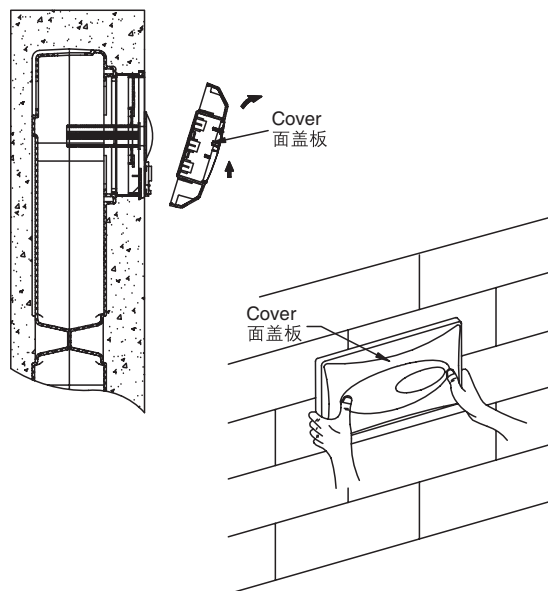


Finished Installation Illustration
安装完毕示意图

MAINTENANCE AND CONTROL PROCEDURES 维护与调节程序

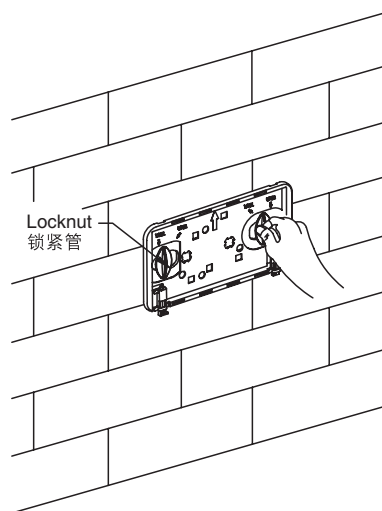
A. Hold the cover with both hands and push upward to take down the cover.

A. 如图拆卸面盖板时，用双手握住面盖板用力向上推就可以打开面板。



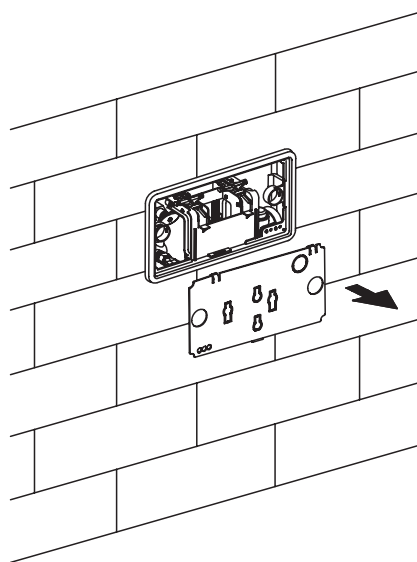
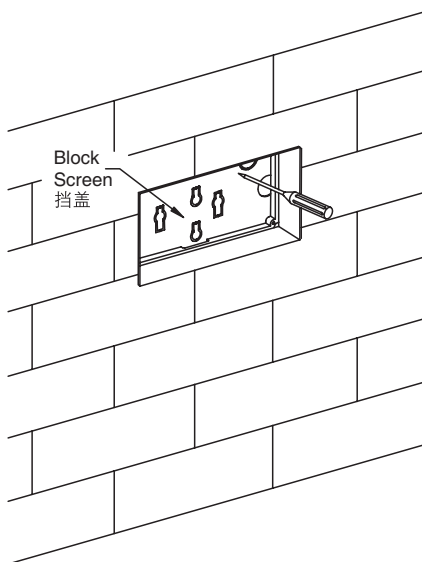
B. Tighten the locknut to the marked position of "OPEN" to take out the adjustable board.

B. 如图用手旋转锁紧管到“OPEN”标识位置上，调节板就可以取出。



C. Pin the indentation on block screen with screwdriver to take out the block screen.

C. 如图用螺丝刀压在档盖的缺口上，取出档盖。

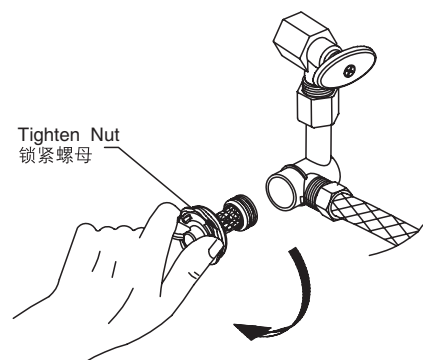
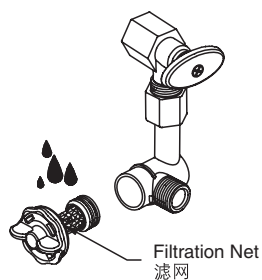
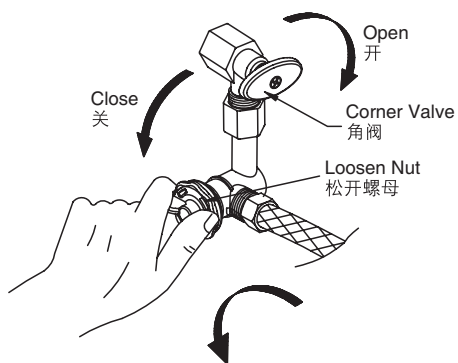


D. Wash Filtration Net

D. 清洗过滤器

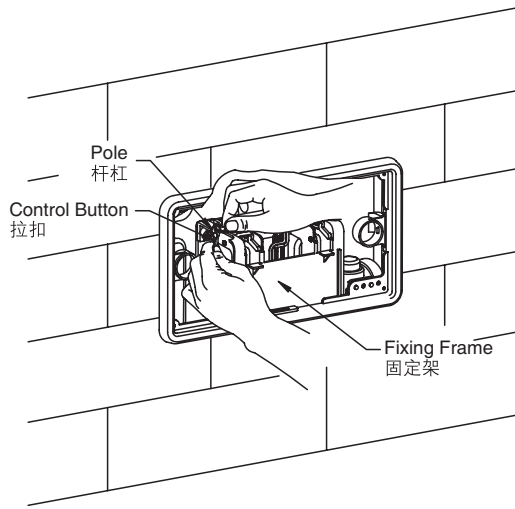
Close corner valve first, then loosen and take out the tighten nut, and wash the waste on filtration net with clean water. Then reset the tighten nut to the original position.

如图所示首先将角阀开关关闭，将锁紧螺母旋松取出用清水清洗滤网泥沙。然后将锁紧螺母装回原位锁紧即可。



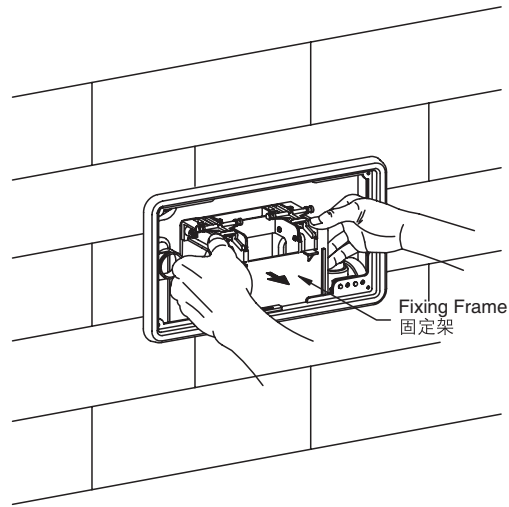
E. Adjust The Control Pole Of Drainage Valve

Pin the pole first to take out the control button as shown in the illustration. Then take out the fixing frame with both hands.



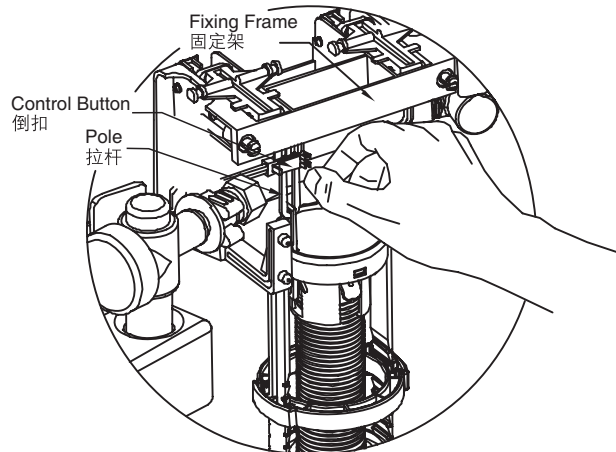
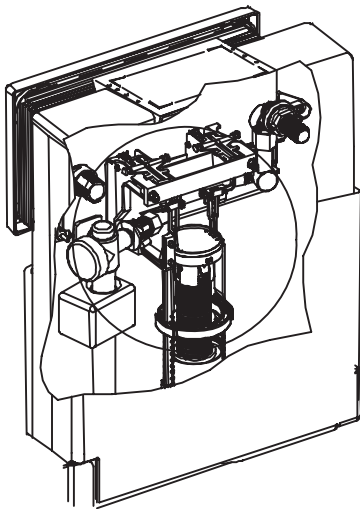
E. 排水阀的拉杆调校

如图所示首先将拉杆压紧，再把拉扣取出。然后用双手将固定架取出。



F. Pull out reversed lock on the fixing frame as shown in the illustration, and adjust the height of the control poles to ensure the leak-proof of drainage valve.

F. 如图所示将固定架的倒扣拨出，可调节拉杆升高或降低使排水阀达到滴水不漏状态。

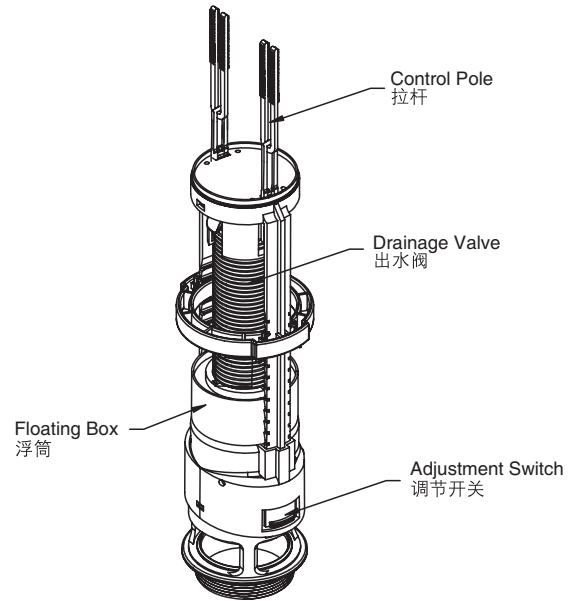


G. Adjust Drainage Valve

Drainage volume and overflow level of the tank can be adjusted by drainage valve: 1) Heavy drainage adjustment: Open adjustment switch to open the small hole. 2) Slight drainage adjustment: adjust the height of floating box and the water level of slight drainage will be at the bottom of the floating box.

G. 出水阀的调校

如图出水阀可调节水箱冲水量大小和水箱溢水高度：(1) 大冲水调节方法：打开调节开关，使小孔打开。(2) 小冲水调节方法：调节浮筒高度，小排水水位一般到浮筒底部。

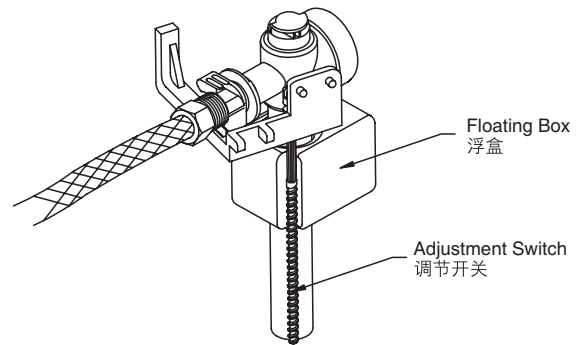


H. Adjust Inlet Valve

Hoist and reduce the water level in the tank by adjusting the control pole. Turn the control pole counterclockwise to lower down the floating box and reduce the water level of the tank. Turn the control pole clockwise to hoist the floating box and increase the water level in the tank

H. 进水阀的调校

如图调校调节杆可以使水箱水位升高或降低。当逆时针旋转调节杆时，浮盒下降，水箱水位就低。顺时针旋转调节杆使浮盒上升，水箱水位高。



TROUBLE SHOOTING PROCEDURES 故障排除

Symptoms	Probable Causes	Recommended Action
No water fills in via inlet valve	The inlet valve is closed	Open inlet valve (refer to page 15)
	Floating box of inlet valve is blocked by tank wall	Adjust floating box to appropriate position
	Floating box of inlet valve is block by waste	Wash the floating box with clean water
No drainage when pressing the heavy and slight drainage button	Wrong installation of adjustable board	Reset (refer to page 9)
	Control pole is too long	Adjust the control pole to appropriate position
Too high or too low water level	Water level of the inlet valve is not appropriate	Readjust water level (refer to page 16)
Leak of the toilet and squat	Control pole is too short	Adjust the control pole to appropriate position
	Inappropriate adjustment of the overflow pipe	Adjust the overflow pipe to appropriate position
Toilet swing	Hexagonal nut is loose	Tighten the hexagonal nut (refer to page 9)

现象	原因	排除方法
进水阀不进水	进水角阀没有打开	把进水角阀打开(参照15页)
	进水阀的浮盒受水箱壁顶住	调整浮盒到合适位置
	进水阀的浮盒受杂物粘住	应用水清洗干净浮盒
按下大、小冲水按钮时不冲水	调节板安装错误	重新安装(参照9页)
	拉杆过长	调整拉杆到合适位置
水位太高或太低	进水阀水位没调整好	重新调整水位(参照16页)
蹲便器与座便器漏水	拉杆过短	调整拉杆到合适位置
	溢水管调节过低	调整溢水管到合适位置
座便器可以摆动	六角螺母未拧紧	应拧紧六角螺母(参照9页)