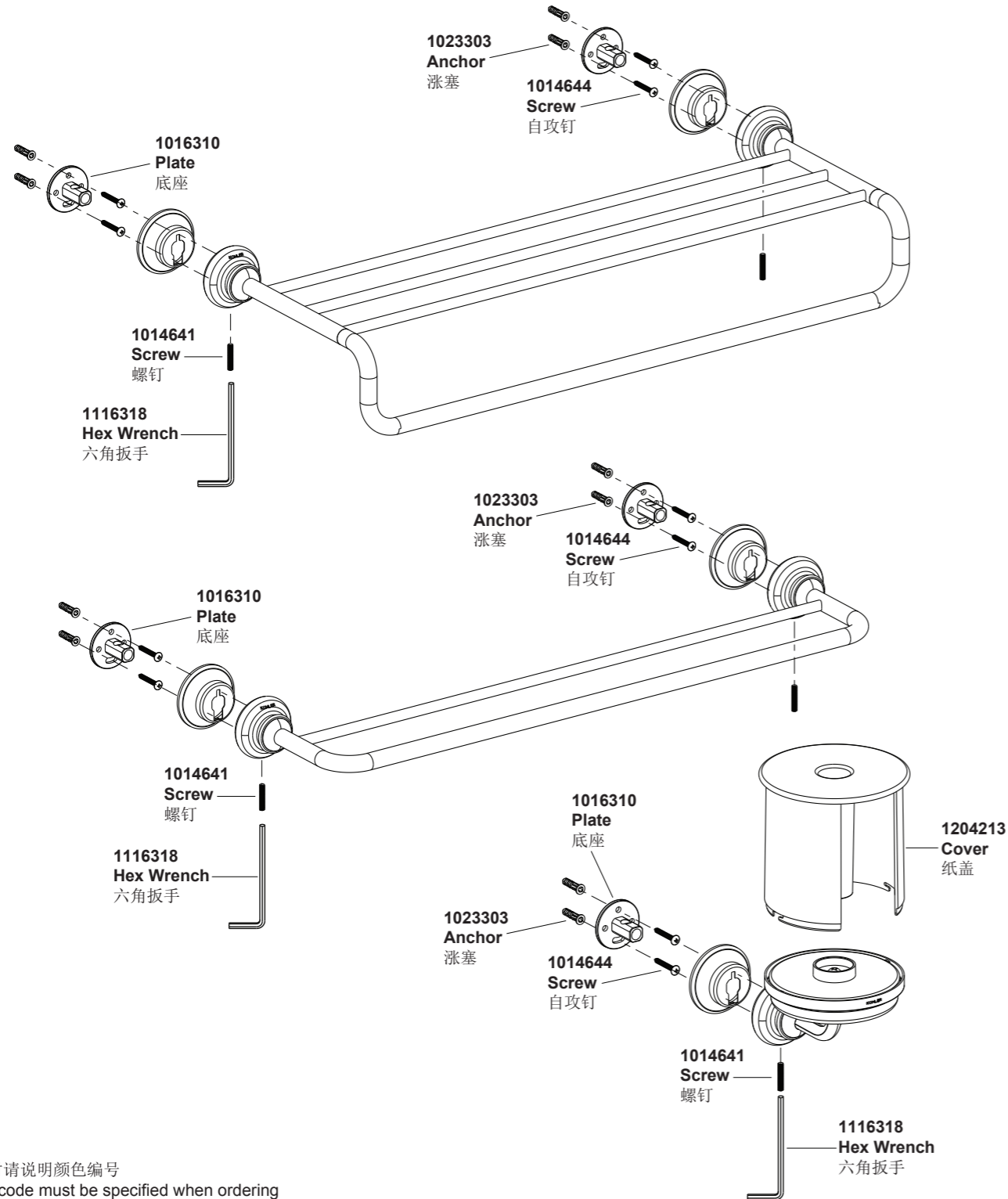


- 98254T 带盖卫生纸架
- 98255T 24"双层浴巾架
- 98256T 24"双层毛巾杆



\*\*订购时请说明颜色编号  
\*\*Color code must be specified when ordering

- 98254T 带盖卫生纸架
- 98255T 24"双层浴巾架
- 98256T 24"双层毛巾杆

**安装之前**

所有的资料是按最新发布的产品资料编写而成。科勒公司保留任何时候不经通知即可改变产品特性、包装或产品可供类型的权利。

说明书包括重要的安装、保养及清洁方面的内容，请把这些资料交给用户阅读。

**注意事项：**

本产品为水泥墙面安装或木墙面安装。若安装在其他表面可能影响产品性能。

**危险警告：(人身伤害)**

本产品不能作为扶手等支撑物使用，请勿将产品安装在可能被误认为扶手等支撑物的位置。

**BEFORE YOU BEGIN**

All information is based on the latest product information available at the time of publication. Kohler Co. reserves the right to make changes in product characteristics, packaging, or availability at any time without notice.

Please leave these instructions for the consumer. They contain important information.

**NOTE:**

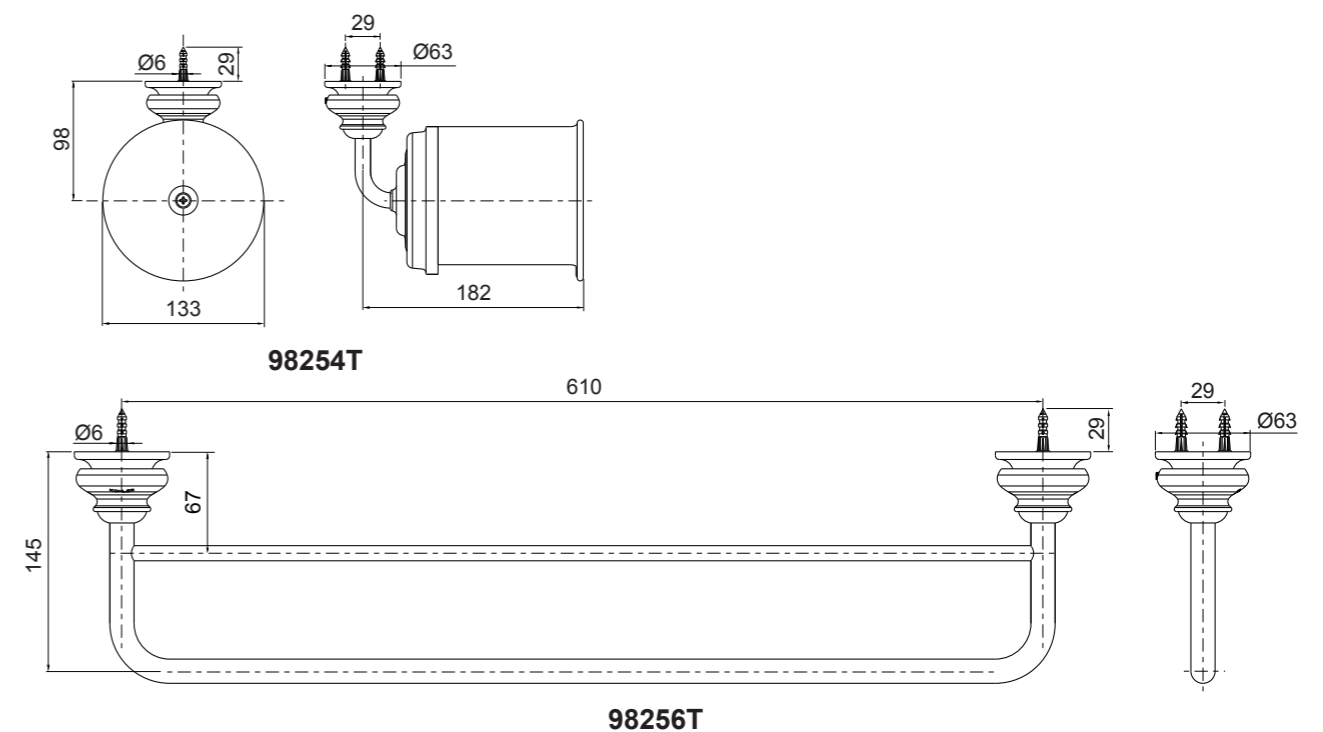
These products should be located and mounted to a wall. While it is possible to mount them to any surface, a stud or concrete mounted product will yield the best results.

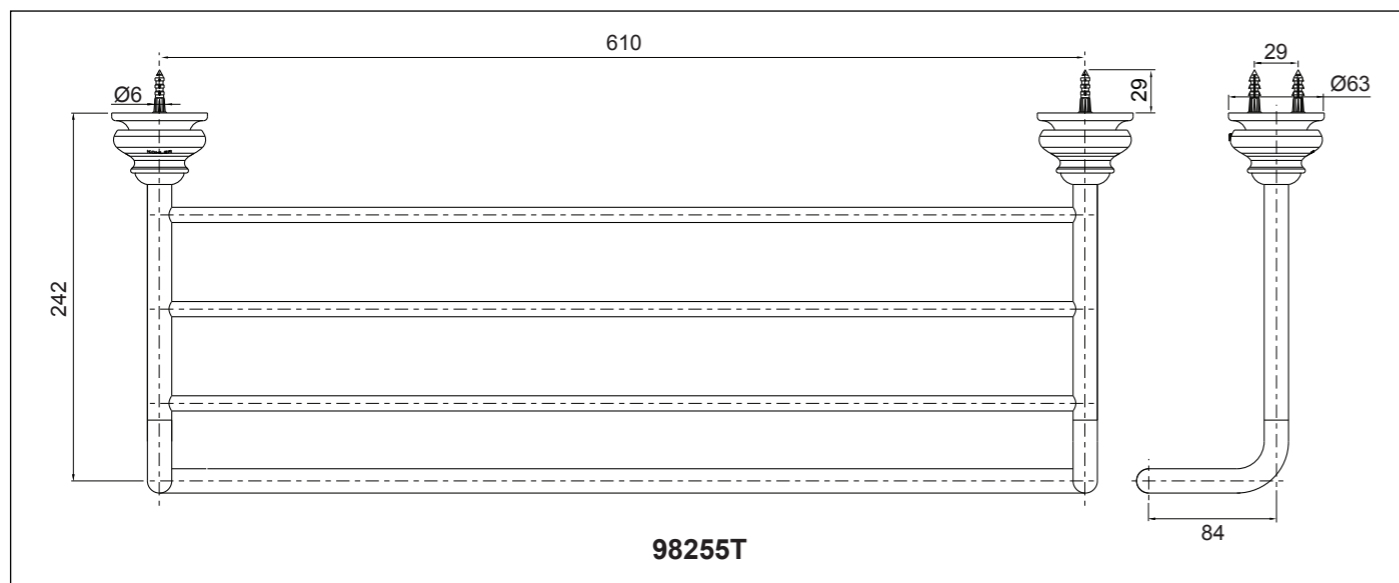
**DANGER: ( Risk of personal injury )**

These products are not designed or intended for use as a grab bar or support bar. Do not install any of these products in any area where they are likely to be used inadvertently as a grab bar or support bar.

**安装尺寸**

**ROUGH-IN DIMENSIONS**

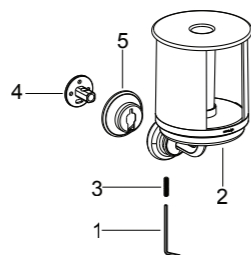




## 安装步骤

### 如何安装托架

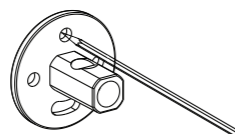
用六角扳手(1)旋松装饰盖组件(2)上的螺钉(3)，将底座(4)、装饰罩(5)依次从装饰盖上取下。



### 仅对于98254T

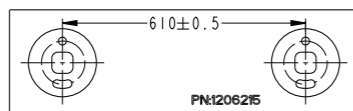
在垂直面的墙壁上，选择一个合适的位置用于安装底座。

如图所示，在墙壁上标记胀塞(6)安装孔位置，确保底座(4)小安装孔在上，大安装孔在下，两螺钉孔铅垂。根据胀塞直径钻孔。



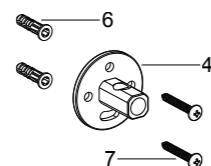
### 仅对于98255T/98256T

如图所示，在垂直面的墙壁上找一合适的位置粘贴模板，确保模板水平，保持圆孔在上。根据胀塞直径钻孔。



### 对于所有产品

将胀塞(6)塞入孔中，用自攻钉(7)固定底座(4)，保持底座小安装孔在上，大安装孔在下，两螺钉孔铅垂。



### 如何安装带盖卫生纸架

## INSTALLATION

### How To Install The Plate

Loosen the screw(3) on the post kit(2) with hex wrench(1), remove the plate(4) and base(5) respectively from the post.

### Only For 98254T

Select a location on the vertical wall to install the plate.

Mark anchor(6) mounting hole locations on wall as shown, ensure the small slotted mounting hole of the plate(4) up, the larger hole of the plate down and two screw holes are vertical. Drill holes in the finished wall as required.

### Only For 98255T/98256T

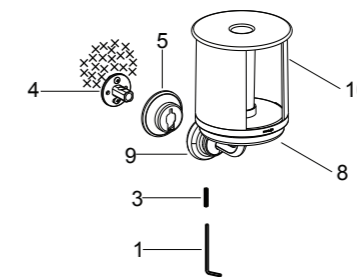
Select a location on the vertical wall to stick the templet, ensure the templet is level and keep the smaller hole up as shown. Drill holes in the finished wall as required.

### For All Products

Press the anchor(6) into the holes. Orienting the small slotted mounting hole of the plate up, the larger hole of the plate down and two screw holes are vertical, secure the plate(4) with the self-tapping screws(7).

### How To Install The Covered Toilet Paper Holder

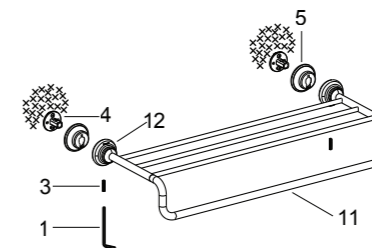
将装饰罩(5)装入到带盖卫生纸架组件(8)的装饰盖(9)内，保持装饰罩(5)和装饰盖(9)上的螺钉孔在同一侧。然后将底座(4)装入带盖卫生纸架组件的装饰盖(9)内，保持装饰盖(9)的螺钉孔向下，用六角扳手(1)锁紧螺钉(3)，固定带盖卫生纸架组件。根据需要，取下纸盖(10)，装入卫生纸，然后重新装回纸盖。



Slide the base(5) onto the post(9) of the covered toilet paper holder kit(8). Orient the screw hole of the base(5) and post(9) on the same side. Then slide the post(9) of the covered toilet paper holder kit onto the plate(4), Orient the screw hole of post(9) downward, Tighten the screw(3) with the hex wrench(1) to secure the covered toilet paper holder kit. If needed, remove the cover(10) to install toilet paper, then reinstall the cover.

### 如何安装双层浴巾架

将装饰罩(5)装入到双层浴巾架组件(11)的装饰盖(12)内，保持装饰罩(5)和装饰盖(12)上的螺钉孔在同一侧。然后将底座(4)装入双层浴巾架组件的装饰盖(12)内，保持装饰盖(12)的螺钉孔向下，用六角扳手(1)锁紧螺钉(3)，固定双层浴巾架组件。

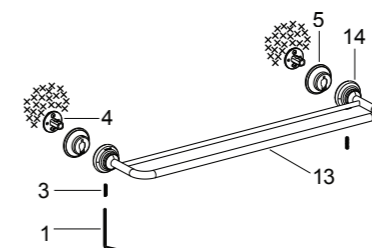


### How To Install The Double Towel Shelf

Slide the base(5) onto the post(12) of the double towel shelf kit(11). Orient the screw hole of the base(5) and post(12) on the same side. Then slide the post(12) of the double towel shelf kit onto the plate(4), Orient the screw hole of post(12) downward, Tighten the screw(3) with the hex wrench(1) to secure the double towel shelf kit.

### 如何安装双层毛巾杆

将装饰罩(5)装入到双层毛巾杆组件(13)的装饰盖(14)内，保持装饰罩(5)和装饰盖(14)上的螺钉孔在同一侧。然后将底座(4)装入双层毛巾杆组件的装饰盖(14)内，保持装饰盖(14)的螺钉孔向下，用六角扳手(1)锁紧螺钉(3)，固定双层毛巾杆组件。



### How To Install The Double Towel Bar

Slide the base(5) onto the post(14) of the double towel bar kit(13). Orient the screw hole of the base(5) and post(14) on the same side. Then slide the post(14) of the double towel bar kit onto the plate(4), Orient the screw hole of post(14) downward, Tighten the screw(3) with the hex wrench(1) to secure the double towel bar kit.

## 安装结果检查

检查并确保所有连接处已锁紧。

检查并确保所有六角螺钉竖直向下。

## INSTALLATION CHECKOUT

Ensure that all connections are tightened.

Ensure all setscrews face straight down.

## 清洗说明

适用于所有加工处理过的表面：以中性肥皂水清洗镀层表面，再以干净的软布彻底擦干整个表面，许多清洁剂，比如氨水、去污粉及洁厕灵等，会对电镀表面造成伤害，切忌使用。

有磨损性的清洁用具或清洁剂也不可使用时科勒牌的水龙头及其配件上。

## CLEANING INSTRUCTIONS

All Finishes: Clean the finish with mild soap and warm water. Wipe entire surface completely dry with a clean soft cloth. Many cleaners may contain chemicals, such as ammonia, chlorine, toilet cleaner etc. Which could adversely affect the finish and are not recommended for cleaning.

Do not use abrasive cleaners or solvents on Kohler faucets and fittings.