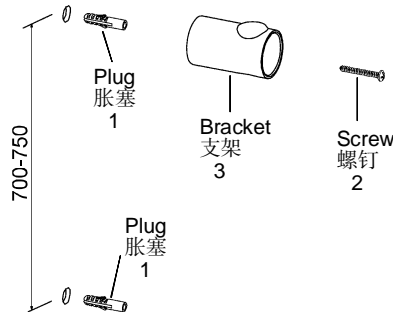
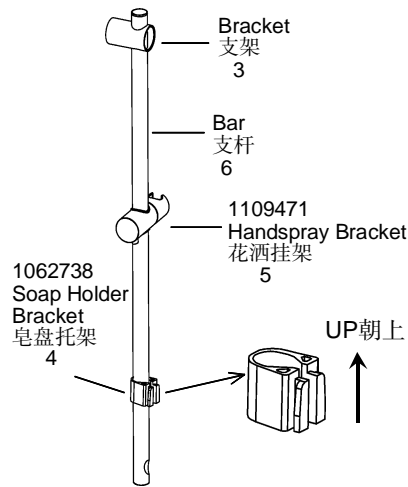


根据标注的尺寸及胀塞直径，在墙面适当高度打两个孔，将胀塞(1)分别装入孔中。用短螺钉(2)将支架(3)固定于墙上。



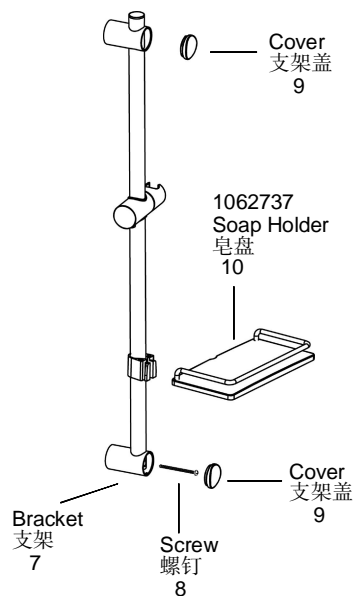
Drill two holes at the proper height in the wall according to the recommended dimension and plugs' diameter. Hammer plugs(1) into the holes. Secure the bracket(3) on the wall with the shorter screw(2).

如图，将皂盘托架(4)，花洒挂架(5)装到支杆(6)上。将支杆穿入支架(3)。



Slide soap holder bracket(4) and handspray bracket(5) onto the bar(6) as illustrated. Slide the bar into the bracket(3).

将支架(7)插入支杆，调整位置，用长螺钉(8)将其固定于墙上。塞紧支架盖(9)。将皂盘(10)安装到皂盘托架上。



Place bracket(7) into bar, adjust it, secure it on the wall with the longer screw(8). Press on covers(9). Put the soap holder(10) onto the soap holder bracket.