



BEFORE YOU BEGIN


安装之前


- Please read these instructions carefully to familiarize yourself with the required tools, materials, and installation sequences. Follow the sections that pertain to your particular installation. This will help you avoid costly mistakes. In addition to proper installation, read all operating and safety instructions.
- All information in these instructions is based upon the latest product information available at the time of publication. Kohler China reserves the right to make changes in product characteristics, packaging, or availability at any time without notice.
- These instructions contain important care, cleaning, and warranty information-**please leave instructions for the consumer.**
- Before installation carefully inspect the new fixture for any signs of damage.

- 请仔细阅读本指引，以便熟悉所需工具、物料及安装程序。请遵照适用的章节来安装本产品，以免安装失当导致不必要的损失。除了有关正确的安装方法之外，还务请详阅所有操作及安全指引。
- 本指引所载之一切资料，均以印刷时所有之最新产品情况为基础，科勒中国保留权利随时更改产品特性、包装或供应情况，恕不另行通知。
- 本指引也包含了有关保养、清洁及担保等重要资料-请交予用户保存。
- 安装之前，仔细检查产品是否有损伤。

 **WARNING: Risk of injury or product damage.**
Tempered glass cannot be cut.

 **警告：**可能有人员伤害或者产品损坏的危险。钢化玻璃不能进行切割。

 **WARNING:** Don't use acidic or alkalic cleaners or alcohol to clean the wooden surface. Use a dampened cloth to clean.

 **警告：**木质表面不能用含酸或碱性的清洁剂以及酒精清洁，请用潮布清洁。

PARTS

Parts supplied with your cabinet. (For cabinet body and door replacement, call customer service with model number.) Be sure to check the cardboard supports in the carton, glass parts are packed in them.

配件

浴柜附有零件（柜身及门的补换请致电客服部门并告知型号），请仔细检查包装箱。

ACCESSORIES LIST

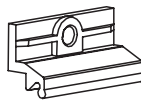
附件清单



Glass Shelves
玻璃层板
X3



Wall Anchors
入墙胶粒
X5



Top Clips
顶扣
X2



Caps of Screw
螺钉盖
X10



Screws ST3.5 x 35
盘头自攻螺钉ST3.5 x 35
X5



Hole Plugs
孔塞
X40



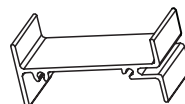
Mounting Bar
承托条
X1



Snap-in Pins
嵌入式层板架
X12



Screws ST4.2 x 12
盘头自攻螺钉ST4.2 x 12
X8



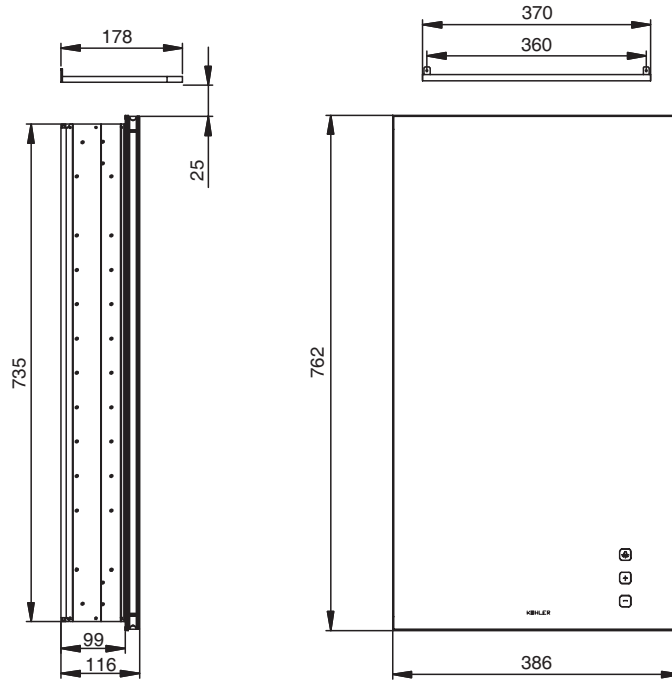
Connector Block
连接工字铝
X2

中山科勒卫浴有限公司
广东省中山市中山火炬开发区兴业路13-1号 邮编：528437

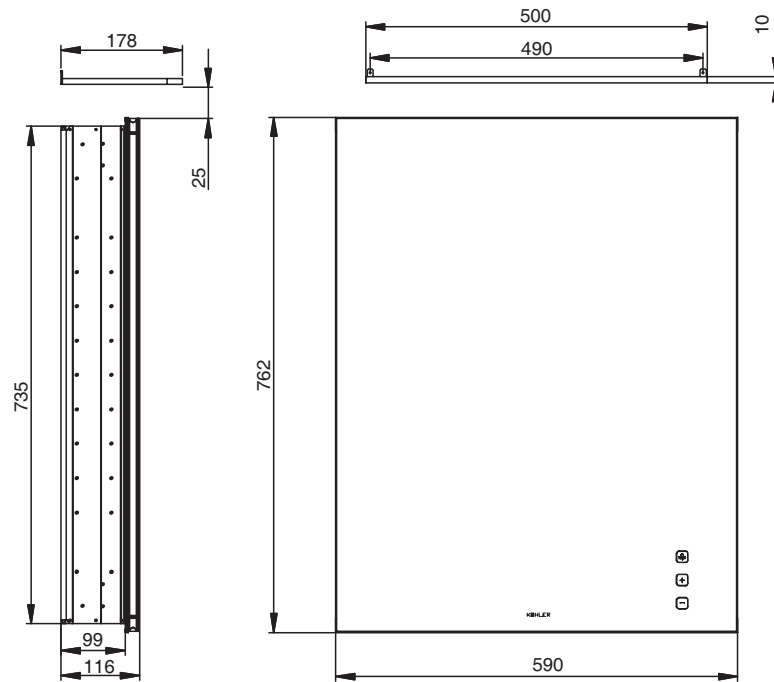
Reference Value
参考值

K-98835T-L 16"镜柜(左开门)
K-98835T-R 16"镜柜(右开门)

Unit:mm
单位:毫米



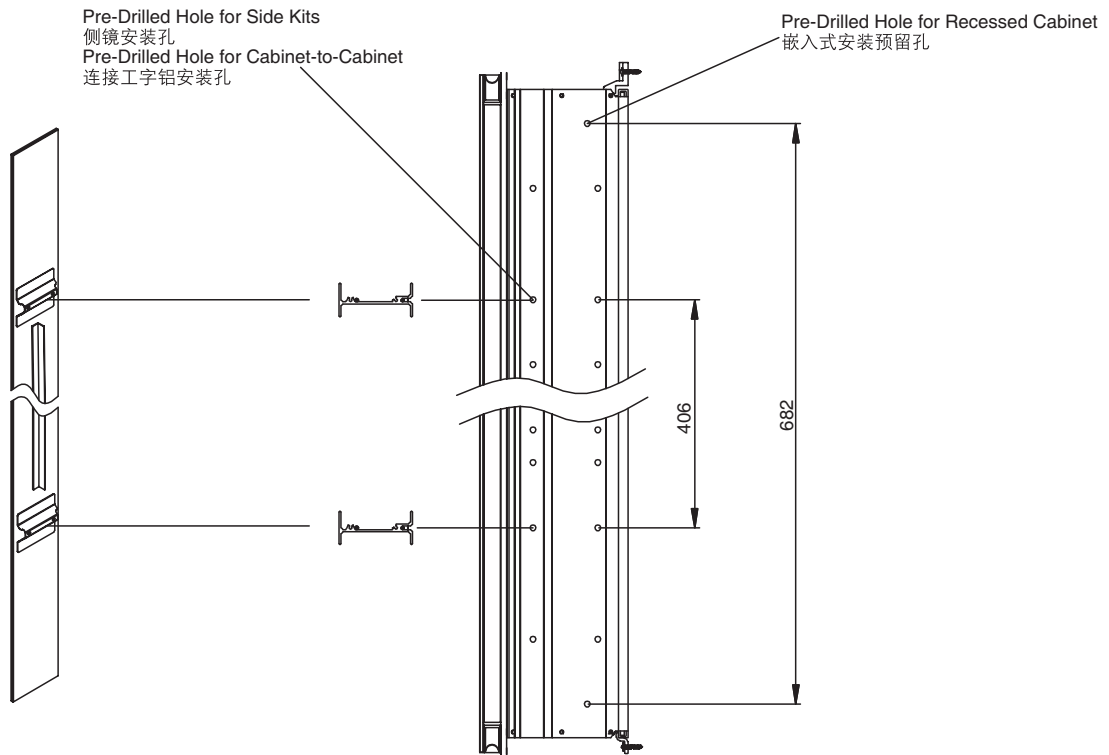
K-98836T-L 24"镜柜(左开门)
K-98836T-R 24"镜柜(右开门)



科勒公司保留随时变更图中标示尺寸的权利，无需另行通知。
Kohler reserves the right to change marked dimensions without prior notice.

PRE-DRILLED HOLE

安装孔位置示意图



SURFACE MOUNTING THE MIRRORED CABINET ON A WALL

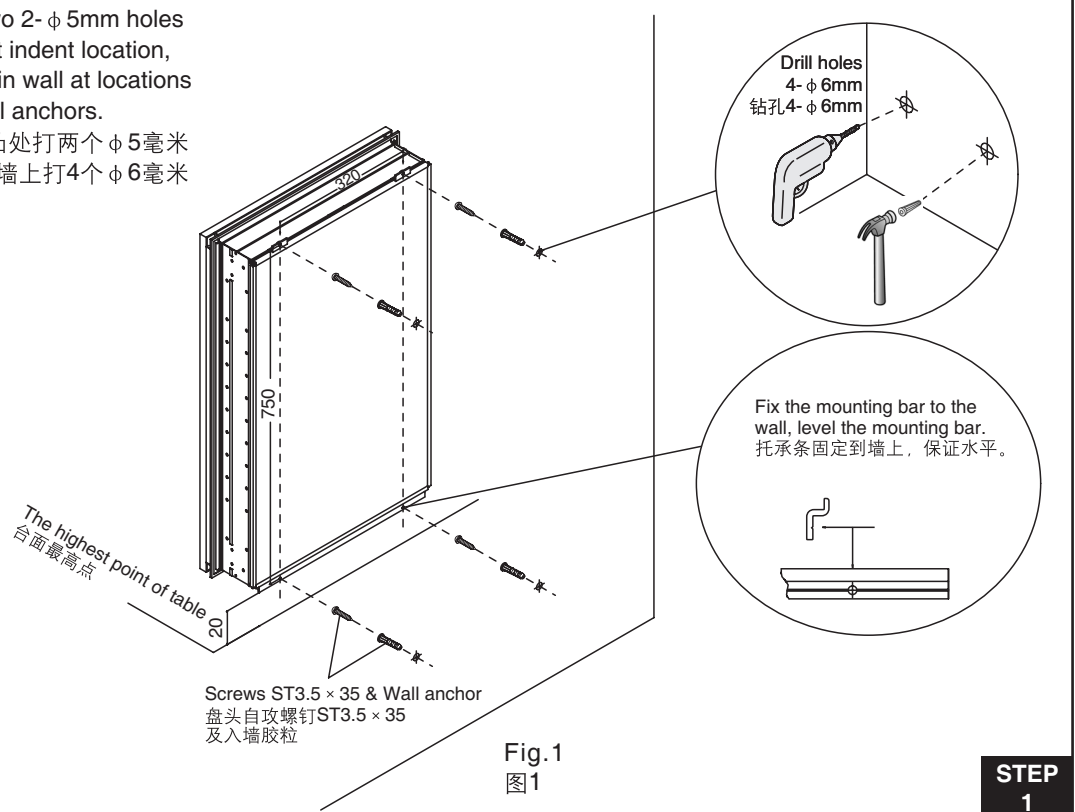
挂墙式镜柜的安装

NOTE:

Installing the mirrored cabinet on a wall without the door attached can make installing easier for one person. Do not mount the doors until the boxes is in or on the wall.

As shown in Fig 1, drill two $\phi 5$ mm holes in bottom mounting bar at indent location, then drill 4- $\phi 6$ mm holes in wall at locations shown in Fig 1, insert wall anchors.

如图1所示，在承托条凹凸处打两个 $\phi 5$ 毫米的孔，然后按图示位置在墙上打4个 $\phi 6$ 毫米的孔，放入入墙胶粒。



STEP
1

Sit the mirrored cabinet on the mounting bar, then lower and tighten the screws into place, as shown in Fig.2.

如图2所示，将镜柜放于承托条上，用螺钉将两粒顶扣固定，并旋紧螺钉。

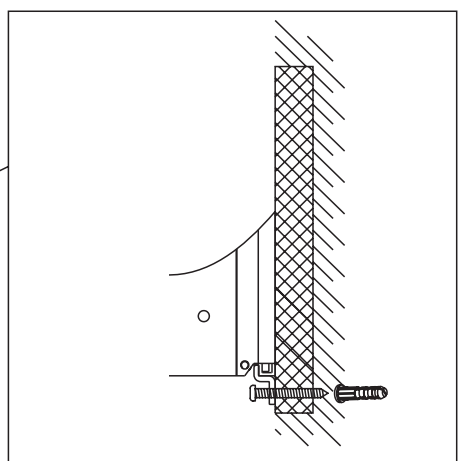
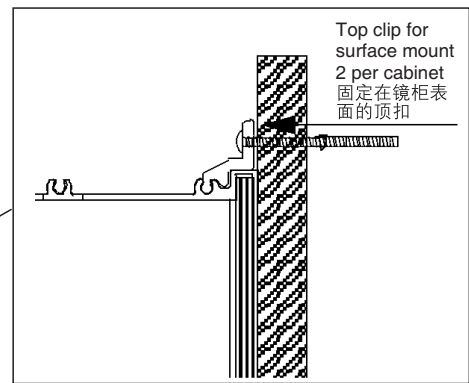
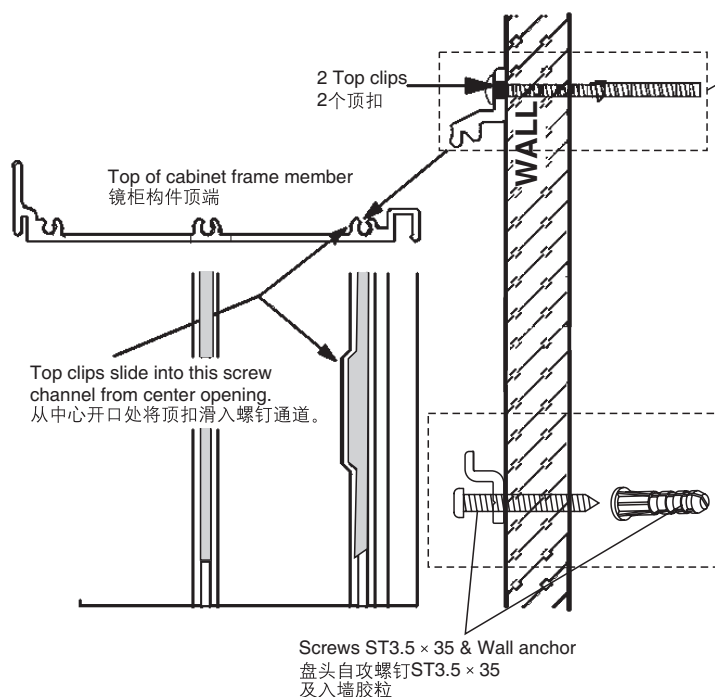


Fig.2
图2

STEP
2

COMBINATION INSTALLATION OF SEVERAL MIRRORED CABINETS 多个镜柜的组合安装

Connect the cabinets by fixing the connector blocks to the side of the mirrored cabinet with ST4.2x12 screws. 用ST4.2x12自攻螺钉将工字铝固定到镜柜侧面，把多个镜柜组合起来。

For surface mounting installation, please fix the side kits bracket at the two sides of the combined cabinets with M4 screws. (Note: Side kits shall be purchased separately) 对于镜柜挂墙式安装，在组合镜柜的两侧用M4螺钉固定侧镜支架。(注：侧镜需要另外订购)

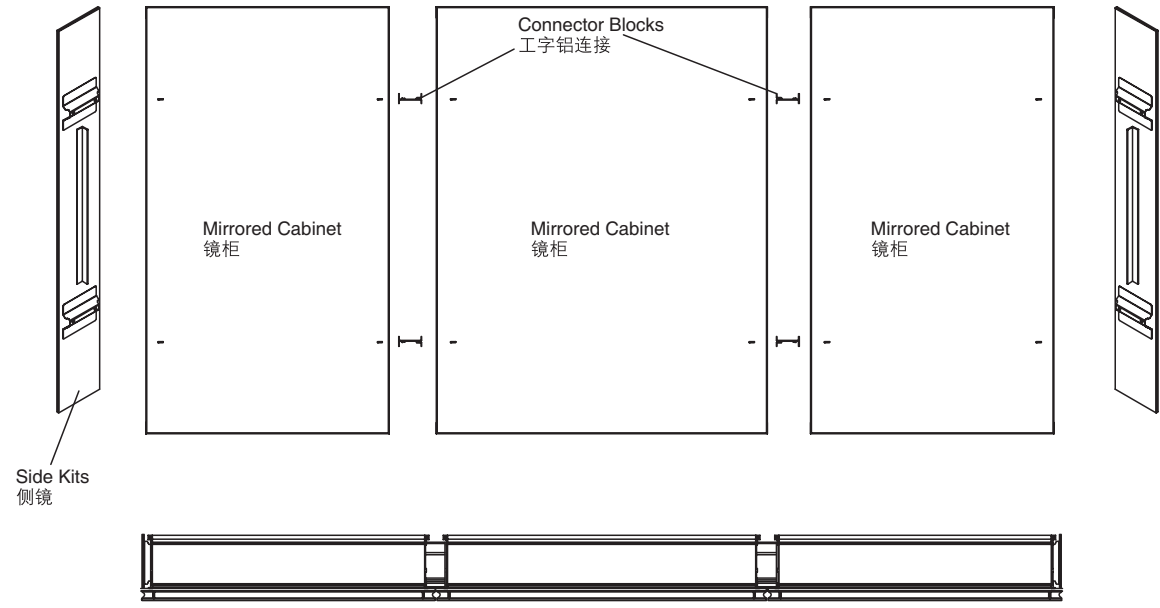


Fig.3 图3

STEP
1

Door adjustments

门的调整

- This screw releases the door from the cabinet and allows up and down adjustment. Fig.6-A & 7.
此螺钉松开可将门卸下，并可作上下的位置调整，如图6-A、7所示。
- These screws allow you to plumb the door as shown in Fig.6-B & 8.
这些螺钉松开可将门作如图6-B、8所示的前后的位置调整。
- The screws you use for attaching the hinges. (Supplied with hinges)
安装门铰所用的螺钉。(随门铰附送)

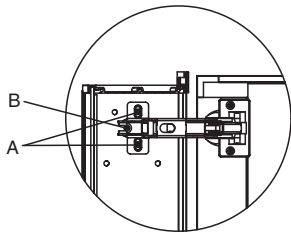


Fig.4 图4

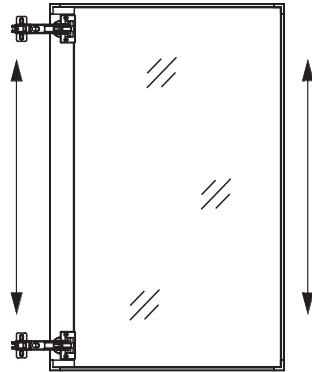


Fig.5 图5

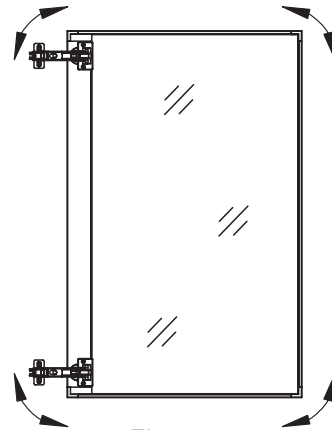


Fig.6 图6

STEP
2

Push/twist the pins into place & Fill the remaining holes with the plugs

装层板支架&用孔塞塞好其他多余的孔位

- Push one side of the shelf into the left or right clips.
将层板玻璃任一端放于架子上。
- Snap the shelf down into the opposite side. If the shelf is too tight, repeat the process from the other side.
将玻璃层板的另一端压下。如玻璃层板太紧，改从另一端开始再来一次。

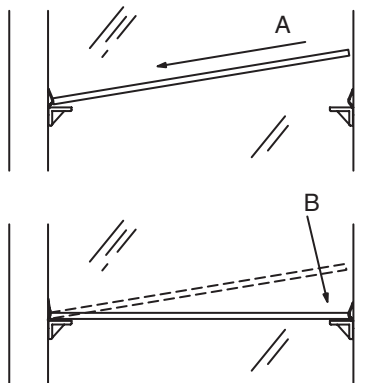


Fig.7 图7

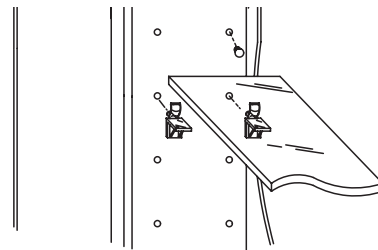


Fig.8 图8

STEP
3

INSTALLATION OF LIGHTING

灯具的安装

As shown, install the light about 25mm over the mirrored cabinet.

如下图所示，将灯具装在镜柜上方约25mm处。

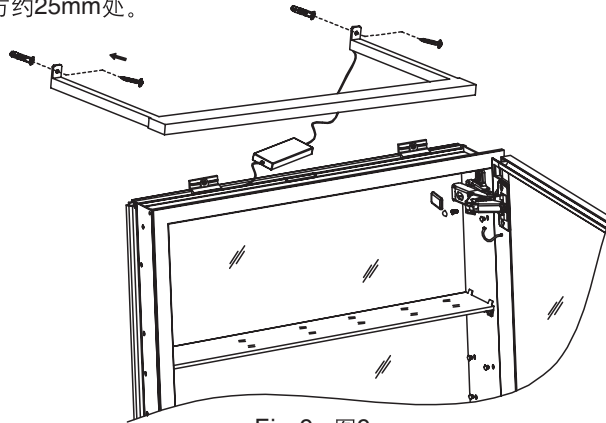


Fig.9 图9

STEP
1

CONNECT TO POWER LINE

电源线接入

• Wire connection of defogger(Fig.A)

防雾膜电源的接入（如图A）

1. Open the wire box and pull out the terminal block.

电源线接入前将接线盒打开，把接线端子往上提出。

2. Connect to 220V/50Hz power supply. The brown wire is connected with L line and blue wire is connected with N line.

连接到220V/50Hz电源，其中红色线接火线，蓝色线接零线。

3. Put the terminal block back after connecting the power lines and then close the wire box.

电源线接好后，再将接线端子装回，合上接线盒盖。

4. It is suggested to arrange the defogger switch at the bathroom door and the share the same switch with bathroom lighting.

建议防雾膜电源开关设在卫生间门口，与浴室灯为同一开关。

• Wire connection of lighting(Fig.B)

调光灯具电源的接入

1. Make sure the positive and negative wires are correctly connected. It is suggested to wipe the joint with electrical insulation tape.

注意灯具正、负极两组线的公母接头连接好，安装后建议在此接头处用电工胶布缠绕两圈。

2. Connect to 220V/50Hz power supply. The brown wire is connected with L line and blue wire is connected with N line.

将LED电源的出线端接入220V/50Hz电源，其中棕色线接火线，蓝色线接零线。

3. The lighting flashes at stand-by mode. Touch the three buttons to switch on and adjust the lighting.

调光灯具接入电源后可长期保持待机状态，待机时有一明一暗呼吸灯效果。开灯及调光通过外镜上的三个触摸按键。

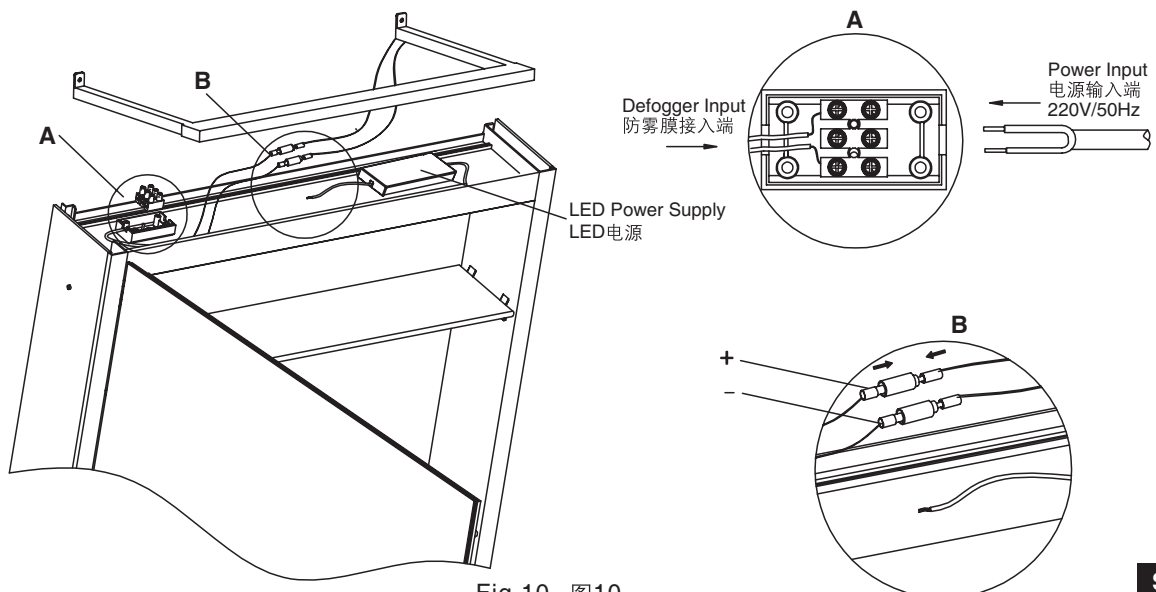



Fig.10 图10

STEP
1

BUTTON FUNCTIONS

外镜上按键图标功能说明

NO	Button 按键名称	Icon 按键图标	Functions 功能及操作说明
1	Power 电源按键		Switch on or switch off power(the light flashes under standby mode) 开启或关闭电源(待机有呼吸灯效果)
2	Increase Brightness 亮度增		Press this button to increase brightness. 按此键增大照明灯亮度。
3	Decrease Brightness 亮度减		Press this button to decrease brightness. 按此键减少照明灯亮度。

USER MAINTENANCE

日常维护

Warning! Risk of product damage.

警告！小心产品受损。

- Many cleansers contain abrasive and chemical substance which is not suitable for cleaning stainless steel, enamel, plating or plastic products. You may use mild cleansers or soaps to clean the surfaces. Wipe any splashes of cleaner solutions from the surface with clean soft cloth.
 - Maintain ventilation in the bathroom, and separate the dry area from the damp one if conditions permit. Try to open the door and windows of the bathroom and maintain good ventilation.
 - Kohler mirrored cabinet are dealt with strict procedures for damp-proof, whose good damp-proof function ensures good performance even in bathroom of huge humidity. Yet do not splash and pour water directly on the mirrored cabinet. Make sure that the bathroom is not over damp and wipe any splashes from surfaces immediately.
 - Maintenance of door board: Clean and wipe door board regularly, and wipe the condensation vapor with dry and soft cloth.
 - The mirrored cabinet door and interior are constructed of mirror and aluminum. Use only a damp cloth to clean. Spray the cloth, not the mirror when cleaning. Mirrors are damaged by the use of ammonia or vinegar based cleaners. Rubbing alcohol can be used for stubborn stains.
 - Use no abrasive cleansers on any part of the mirrored cabinet.
 - The black frame should be cleaned with a damp cloth only.
- 许多清洁剂都含有研磨剂及化学物质，不可用于清洁不锈钢、搪瓷、镀层或塑料制品。这些表面须使用温和的清洁剂或皂液进行清洁，将残余洗涤剂洗干净，然后用干净的软布擦干。
 - 卫生间请保持良好的通风状态，有条件的可以干、湿分离，平常尽量保持浴室空气畅通，养成开窗开门的习惯。
 - 科勒镜柜都经过严格的防潮处理，但防潮并不是防水，使用时不可随意任镜柜被水浇、溅。良好的防潮性能可以保证在高相对湿度时仍有良好使用性，所以请避免卫生间过于潮湿，遇有水迹要及时擦干。
 - 门板的保养：经常用软布定期清洁、擦拭，洗浴后的冷凝水蒸气应用干布擦净，保持门板的干爽。
 - 镜柜是由玻璃镜和铝材制造出来的。只能用潮布清洁。清洁时请将水喷在布上，而不是玻璃镜上，含氨或酸的清洁剂会损坏玻璃镜，一些顽渍可用酒精擦除。
 - 千万不要磨沙型清洁剂擦拭镜柜的任何地方。
 - 黑色框架的镜柜只可用潮布擦拭清洁。