

98454T-CP 萝瑞交流感应龙头(不带交流电源盒)
98455T-CP 萝瑞直流感应龙头

安装之前

所有的资料是按最新出版的产品资料编写而成。科勒公司保留任何时候不经通知即可改变产品特性、包装或产品可供类型的权利。

说明书包括重要的安装、保养及清洁方面的内容，请把这些资料交给用户阅读。

注意事项

1. 一定要先彻底冲洗供水管以清除管道中的杂质,使用水源为自来水或可供饮用水。
2. 请勿将强力及冲击施于产品, 以免造成故障, 引起漏水。
3. 安装、清洁龙头时, 切勿损伤感应窗口表面, 以免造成故障。
4. 如果是安装新的洗面盆, 可将水龙头和排水组件先安装好到面盆上。
5. 对于直流龙头, 安装时注意电池的正负极不能装反, 电池盒盖要拧紧, 防止电池受潮。
6. 对于交流龙头, 安装时务必按照说明书的要求正确连接导线, 龙头安装完毕后才可向电源盒供电。
7. 一个交流电源盒最多可供两个感应龙头。
8. 交流电的总电源必须有合适熔断丝加以保护。
9. 请勿使产品感应窗口靠近强紫外线或电磁场。
10. 修理面盆时, 用黑色电工胶布粘住感应窗口。
11. 维修交流龙头时, 必须断开交流电源并关闭水源。

BEFORE YOU BEGIN

All information is based on the latest product information available at the time of publication, Kohler Co. reserves the right to make changes in product characteristics, packaging, or availability at any time without notice. Please leave these instructions for the consumer. They contain important information.

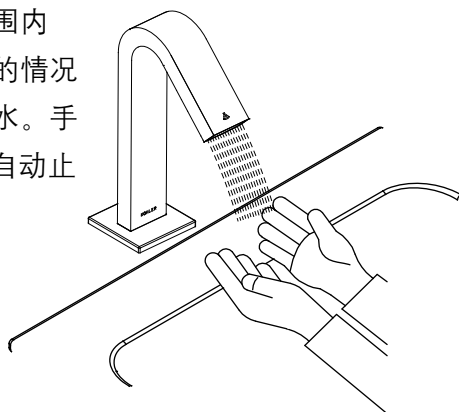
Notes:

1. Flush the water supply pipes thoroughly to remove debris. Faucet is designed for tap water or potable water.
2. Do not attack the faucet with rough strength to avoid being damaged.
3. Do not damage the surface of sensing window when installing or cleaning the faucet.
4. For new installations, install the faucet and drain to the lavatory before installing the lavatory.
5. As for DC type faucets, please pay special attention to insert direction match of battery poles. Tighten the battery cover completely to prevent its exposure to moisture.
6. As for AC type faucets, strictly follow indicated instructions to perform electric connection. Only provide electric supply to power box after the installation is completed.
7. One AC/DC transformer for max.two faucets.
8. Electrical source must equipped with suitable fuse to protect AC/DC transformer unit from damage.
9. Do not put the faucet near strong ultraviolet or electromagnetic field.
10. Cover the sensing window with black tape when repairing lavatories.
11. Turn off the electrical source and shut down water supply before the faucets repaired.

使用说明

OPERATION INSTRUCTIONS

手伸到出水口下方感应范围内
(感应距离随面盆、周围的情况
而自动调节), 水龙头出水。手
离开后0.5~1秒, 水龙头自动止
水。



Put your hand in the sensing -range, the faucet should turn on. The faucet should turn off after removal within 0.5~1 seconds. The sensing distance will be adjusted automatically as per the condition of the lavatory and surrounding environment.

建议搭配脸盆

VESSELS LAVATORY That Matches FAUCET

K-2215T-M 拉蒂纳台下脸盆

K-2215T-M Ladena® Under Counter Lavatory

K-2210T-0 卡斯登台下脸盆

K-2210T-0 Caxton® 17" Under Counter Lavatory

K-2889T 维克长方形台下脸盆

K-2889T Verticyl® Rectangular Lavatory

K-2768T-1 皓玥台下盆

K-2768T-1 Karess Under Counter Lavatory

K-2660T-1 拂朗长方形时尚脸盆

K-2660T-1 Forefront™ Vessel

K-2211T 卡斯登台下脸盆

K-2211T Caxton® Under Counter Lavatory

K-2339T 梅玛台下脸盆

K-2339T Memoirs® Under Counter Lavatory

K-2336T 蒂梵诗台下脸盆

K-2336T Devonshire® Under Counter Lavatory

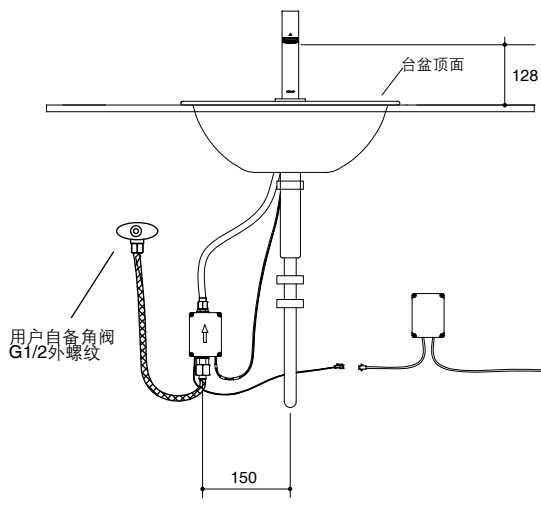
注意: 如果使用非推荐的脸盆, 可能会产生溅水在脸盆外面等情况。

NOTE: Water spraying out of countertop might happen when countertop out of the recommendation list is selected.

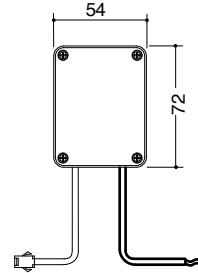
安装尺寸

ROUGH-IN DIMENSIONS

98454T-CP
萝瑞交流感应龙头

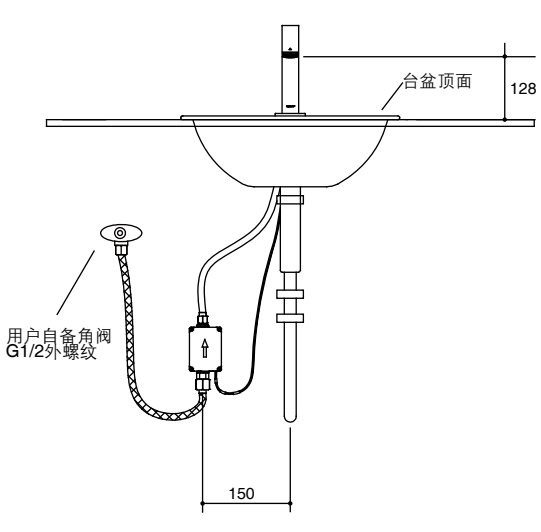


交流电源盒

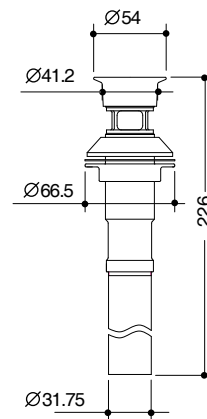


Output: DC6V Input: AC220V
输出: 直流电压6V 输入: 交流电压220V

98455T-CP
萝瑞直流感应龙头



排水组件



注意:在选用台上盆时,安装后从台面到台盆最高处不要超过10cm,否则可能影响美观以及手在使用时的舒适性。

Note: it's recommended not over 10cm from the highest surface of lavatory when select countertop, otherwise that may affect the appearance and comfort.

技术参数

电源：直流 2节5号碱性电池(LR06×2)
交流 电压220V,频率50/60Hz
检测时间：小于0.5秒
关阀延时：0.5~1秒
感应距离：自动调节
流量：水压为0.3MPa时，流量不大于2.0L/min
超时用水控制：超时用水1分钟，自动止水。
环境温度：1~55℃
进水温度：0.5~71℃
适用水压：0.05~0.86MPa

PARAMETERS

Power: DC 2 pieces of AA size alkaline batteries
AC 220V, 50/60Hz
Sensor Duration: Less than 0.5s
Shut-off Delay: 0.5~1s
Sensing Distance: Automatic adjustment
Flow Rate: No more than 2.0L/min at 0.3MPa.
Overtime Flowing Control: Automatically stop flushing when the faucet senses an object for more than 1 minute continuously
Ambient Temperature: 1~55℃
Supply Water Temperature: 0.5~71℃
Supply Water Pressure: 0.05~0.86MPa

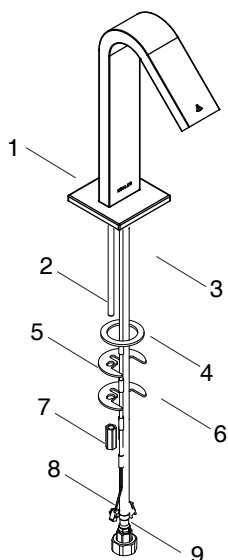
步骤 装 安

INSTALLATION

一 如何安装水龙头

1. 龙头与面盆的安装固定

将固定螺杆(2)安装到水龙头底部(1)处。再把垫片(4)套在固定螺杆上。并嵌入水龙头底部的盘槽中。然后将电源线(8)和进水软管(9)穿过安装孔，从面盆下方将固定橡胶垫片(5)固定金属垫片(6)和固定螺母(7)对齐固定螺杆(2)向上套入。调整水龙头电源线(8)及进水软管(9)的位置。用扳手拧紧固定螺母(7)以便把水龙头固定在面盆上。

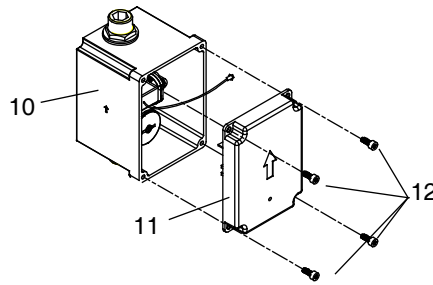


How to Install the Faucet

1. Fixing the faucet and lavatory
Install the mounting stud (2) to the bottom of the faucet (1), then slip the washer (4) over the mounting stud and put them into the groove on the spout. Insert the power wire (8) and supply hose (9) into the hole from underside of the lavatory. From underside of the lavatory, slide the rubber washer (5), meter washer (6) and fixed nut (7) onto the mounting stud (2). Tighten nut (7) to make faucet installed on the lavatory.

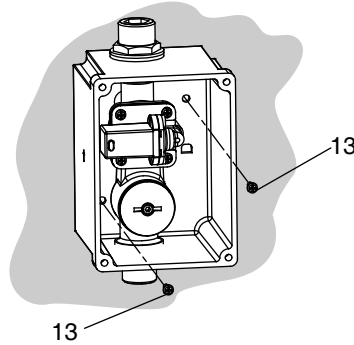
2. 控制阀组件的安装固定

用螺丝刀拧下阀盒盖螺钉(12), 将阀盒盖(11)打开。根据安装尺寸图确定控制阀组件(10)安装位置, 打孔, 打入膨胀管, 使阀盒紧贴墙面且控制阀组件出水口朝上, 再用膨胀螺钉(13)将控制阀组件固定在墙壁上, 注意控制阀组件要与墙面保持平行。



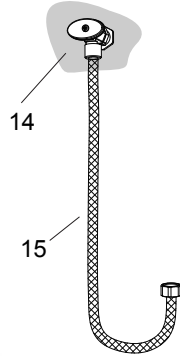
2. Fix the control box

Remove the cover (11) after loose the screws (12). Determine the installation location of control box (10) per rough-in, then drill holes and place sheath in it. Make the control box cling on the wall and outlet upturned, then fix the control box on the wall by screws (13), keep the control box parallel to the wall.



将角阀(14)与管道出水口连接, 再将软管(15)与角阀(14)连接, 在软管(15)前放一水桶, 将角阀(14)完全打开, 打开供水系统, 通水约一分钟, 确认管道连接无渗漏后, 关闭供水系统。

Connect check valve (14) and outlet together, then connect the hose (15) and check valve (14). Put a bucket in the front of hose (15), turn on the check valve (14) completely and open the water supply. After the water flushing about 1 minute, make sure no leakage and turn off the water supply.



再将软管(15)与阀体进水口连接, 然后连接阀体出水口与龙头组件出水软管(16)。

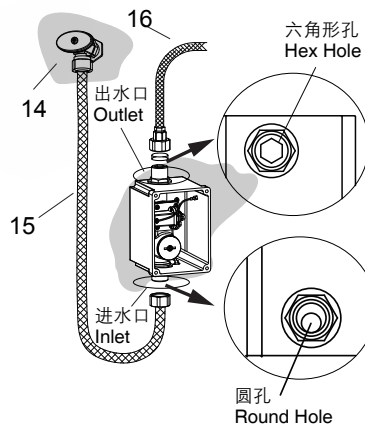
注意:

1. 出水软管处的平垫不要遗漏。
2. 请用户自备角阀。
3. 请勿将进水口与出水混淆。

Connect hose (15) to the inlet of valve, then connect the outlet of valve and inlet (15) of spout assy.

Note:

1. Do not lost the washer of hose.
2. Please let user prepare check valve by themselves.
3. Do not confuse the inlet and outlet.



取出电池盒组件, 拧开螺钉(17), 按电池盒盖(18)上的正负极标示分别装入2节5号电池(19), 锁紧电池盒盖(18)的螺钉(17)后, 将电池盒组件放入阀盒的专用槽内。

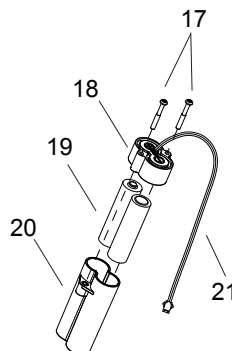
注意:

电池正负极不能装反, 新旧电池不能混用。

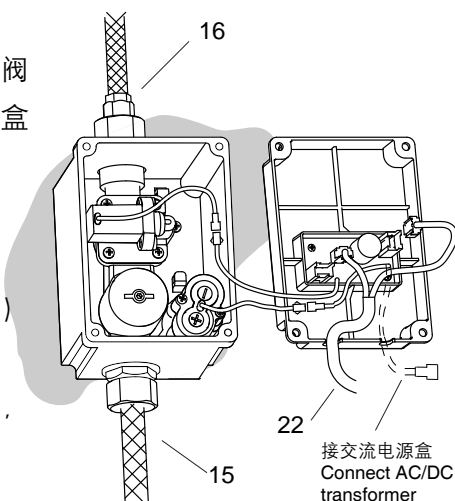
Take out the battery box and loose the screws (17), place two "AA" batteries into the box according to the negative and positive pole mark on the cover of battery box (18). Put the box in the particular groove in the valve box after tight the screws.

Note:

Do not mistake the pole and mixture the new and used batteries.



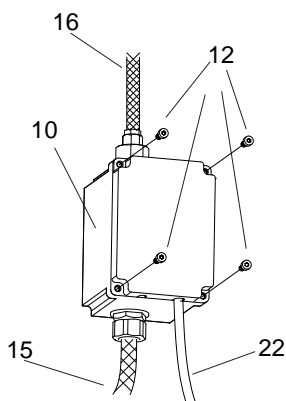
最后，将电磁阀上的红绿线与对应阀盒盖组件上的红绿线接插，将电池盒或交流电源盒上黑橙线与主控板组件上黑橙线接插。（交流版请将主控板组件上的黑橙线从小U型缺口引出与交流电源盒上的黑橙线连接）再将探头线的红、白接插件分别与阀盒盖上对应的红、白接插件连接，再用阀盒盖螺钉(12)拧紧阀盒(10)和阀盖(11)。



Finally, connect the red-green lines in solenoid valve and cover of valve box, then connect the black-orange lines in power supply and control board (If you faucet is AC version, please let the black-green line in the control board through the "U" gap and connect with the line of AC power box). Connect the red and white connectors in the sensor line and cover, and tight the box (10) and cover (11) by screws (12)

注意：

1. 在用螺钉固定阀盒(10)和阀盖(11)时，确保探头线(22)需通过阀盖上大U型缺口。
2. 接上电池后，龙头进入2分钟自动调距阶段，此过程龙头不会出水。



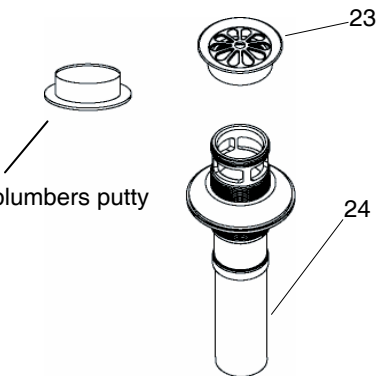
Note:

1. When install the box and cover by screws, make sure the sensor line need to be through "U" Gap of cover.
2. Connect the batteries, faucet will be in the period of automatic adjusting sensing distance (about 2minutes). The faucet will not work during this period.

二 如何安装排水组件

旋下排水器盘片(23)，在其底面沿周围涂上一圈密封油灰。把排水本体(24)由底下插入面盆。

Apply plumbers putty
涂油灰

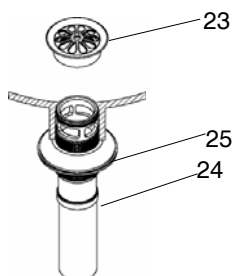


How to Install the Drain

Screw off the drain flange (23) from drain. Apply a ring of plumbers putty around underside of the drain flange (23). Insert the drain body (24) into the lavatory from the underside.

把排水器盘片(23)旋入排水本体(24)。从下方用手拧紧锁紧螺母(25)，去除多余的油灰。

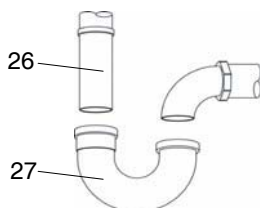
注意：在锁紧螺母(25)拧紧后，不可再调整排水本体的位置，否则会破坏油灰密封。



Thread the drain flange (23) onto the drain Body (24). Tighten the locknut (25) by hand from the underside of the fixture. Remove any excess putty.

Note: Do not try to change the position of the drain after the locknut (25) is tightened, or you may break the putty seal.

把尾管(26)接上存水弯(27)，尾管需插入存水弯25mm到55mm之间。

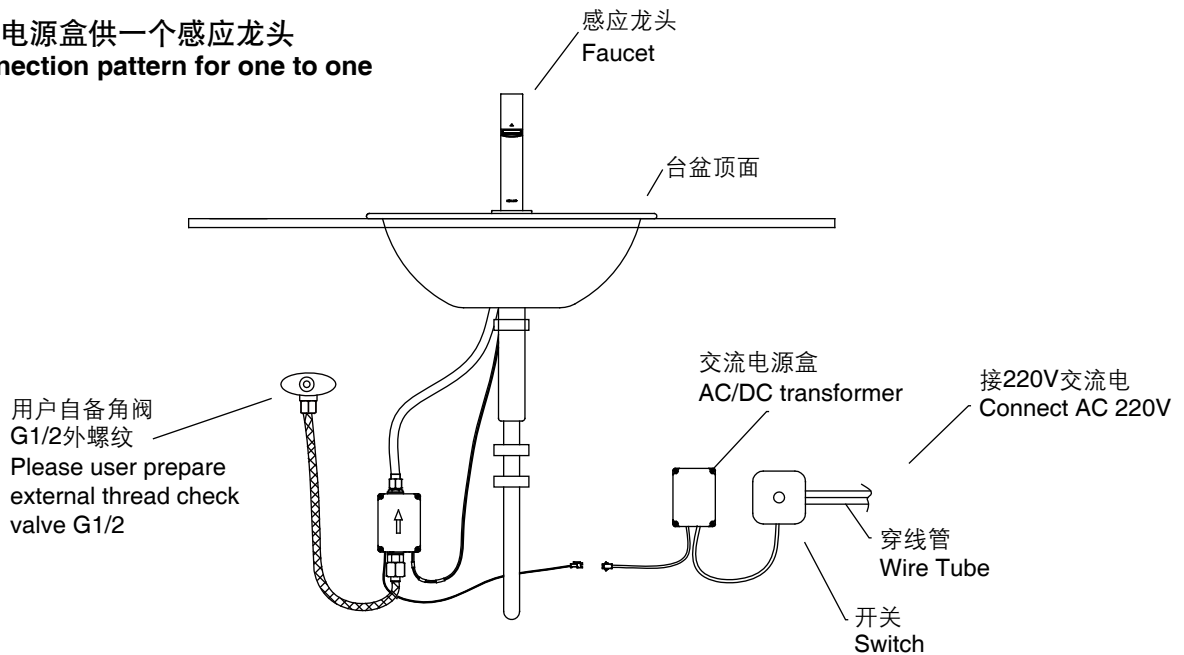


Connect the tailpiece (26) to the trap (27). The tailpiece should extend 25mm to 55mm into the trap.

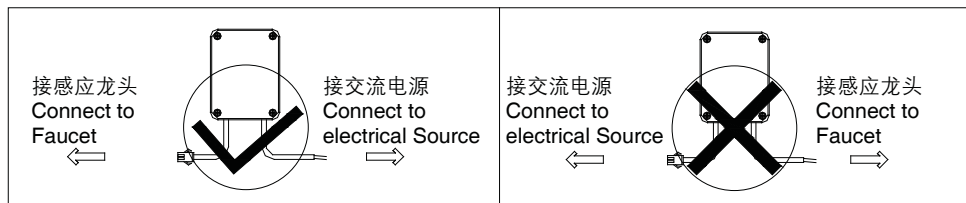
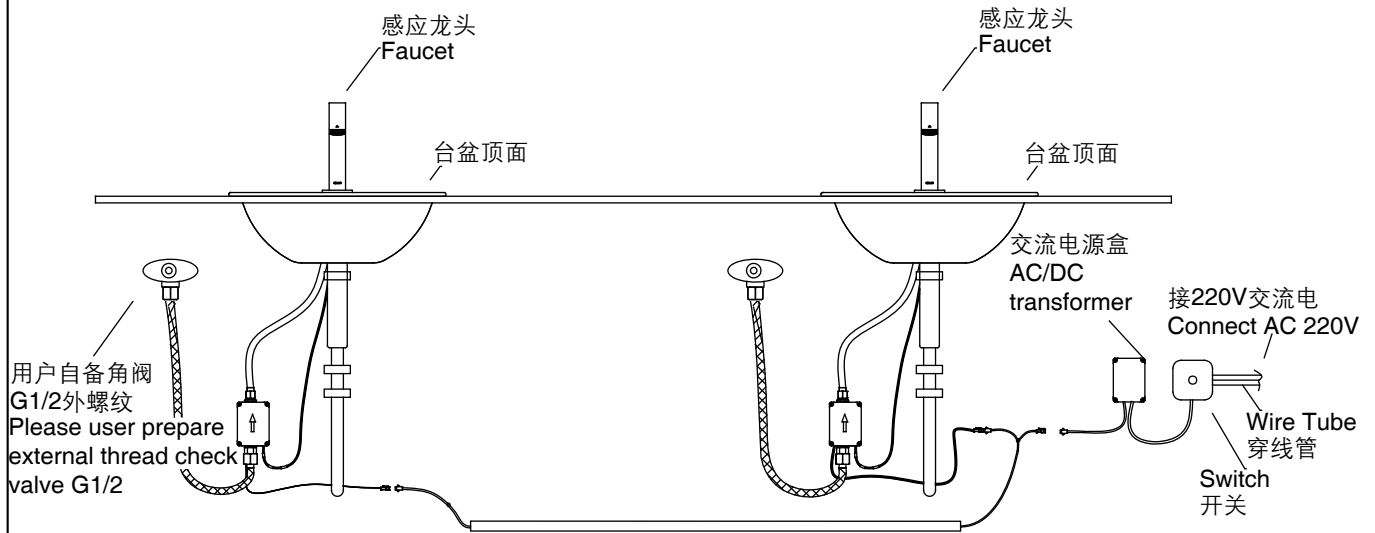
如何安装交流电源盒
(若用户另购交流电源盒,
具体安装详见其说明书)

HOW TO INSTALL THE AC/DC
TRANSFORMER (ONLY USED
WITH TOUCHLESS FAUCET, AC)

一个交流电源盒供一个感应龙头
Wire connection pattern for one to one



一个交流电源盒供两个感应龙头
Wire connection pattern for one to two



注意：禁止将交流AC220V接入直流DC接线端。

Note: Not allowed connect AC 220V electrical source to DC wire connector of AC/DC transformer

1.电源盒(背面有不干胶)应安装在干燥, 不会被水淋湿、浸泡的位置。根据需要客户自备穿线管及连接线。穿线管安装在墙内。建议交流电源线采用带绝缘和护套层的电线, 导体标称截面积 $\geq 0.5\text{mm}^2$; 直流连接线采用导体标称截面积 $\geq 0.3\text{mm}^2$ 的电线。请严格按照上图进行连接。

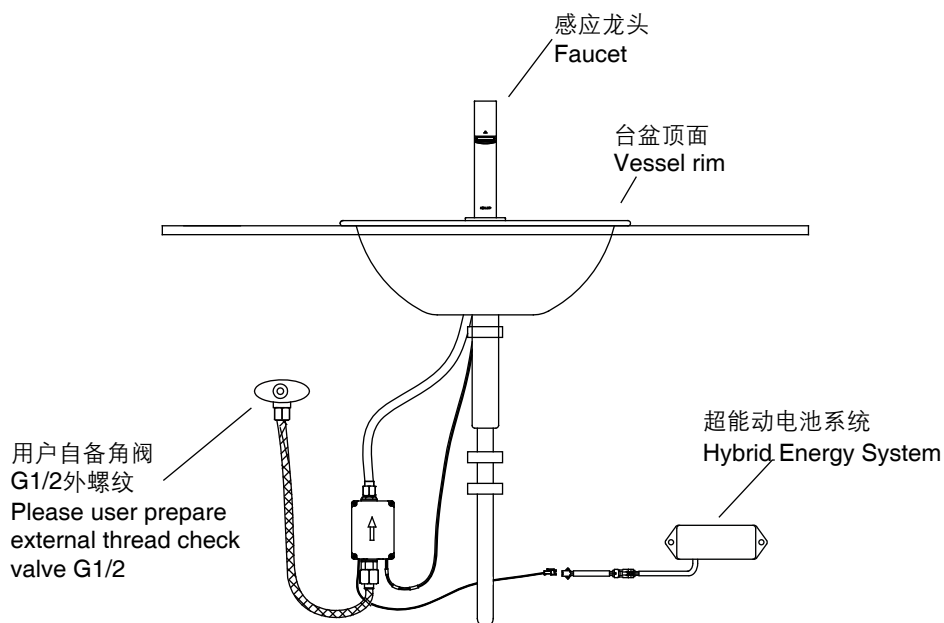
2. 排线完毕后, 应检查并确保所有排、接线无误, 再分别连接电源盒AC接线端与排线管内交流接线端, 以及电源盒DC接线端(黑橙线接头)与龙头的电源线接插件(从阀盒内引出的电线), 最后打开AC电源, 龙头进入2分钟自动调距阶段, 此过程龙头不会出水。

1. Install AC power unit (sticker on the back) dry, and avoid showering, soaking from water. Customer prepare wire tube and wire according to requirement. Wire tube should be put into the wall. Suggested wire: AC connection wire should with insulated protecting layer or sleeve and the section should be bigger than 0.5mm^2 . The section of DC connection wire should be bigger than 0.3mm^2 . The connection pattern must according to illustrations above.

2. After wire layout finished, check and repair if needed. Then connect AC connector of AC/DC transformer to electrical source from the control box, and DC connector of AC/DC transformer to faucet. Turn on AC electrical power, faucet will be in the period of automatic adjusting sensing distance (about 2 minutes). The faucet will not work during this period.

如何超能动电池系统
(若用户另购超能动电池,
具体安装详见其说明书)

HOW TO INSTALL THE Hybrid Energy System (If using hybrid energy system as power supply, please refer to its installation instruction)

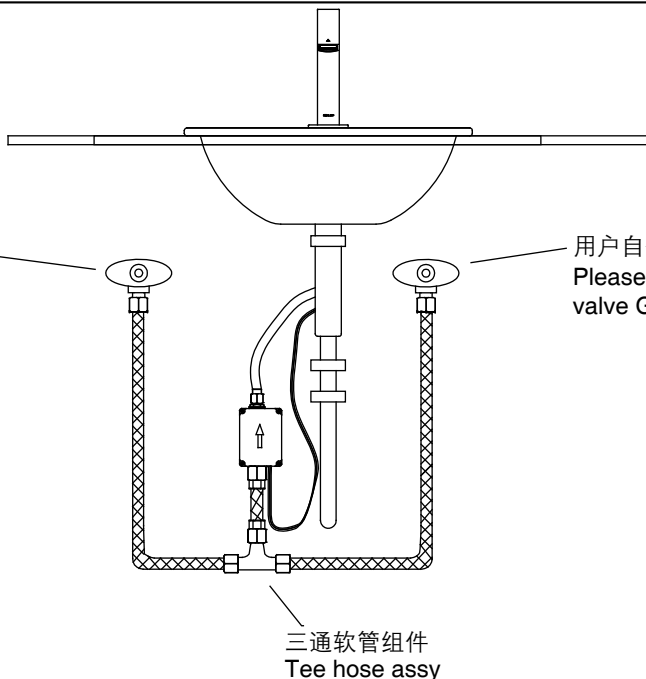


如何转换成混水感应龙头
(若用户另购三通软管组件
1240574-SP)

HOW TO CHANGE TO MIXING SENSOR
FAUCE (If users buy the tee hose assy
1240574-SP)

用户自备角阀
G1/2外螺纹
Please user prepare
external thread check
valve G1/2

用户自备角阀G1/2外螺纹
Please user prepare external thread check
valve G1/2



如何转换成恒温阀感应龙头
(若用户另购恒温阀16294T-3-CP,
具体安装详见其说明书)

HOW TO CHANGE TO THERMOSTATIC
SENSOR FAUCET (If users buy the
thermostatic valve 16294T-3-CP,
the installation refer to the manual of
16294T-3-CP)

单向阀滤网组件
Check valve
strainer assy.

单向阀滤网组件
Check valve
strainer assy.

用户自备角阀G1/2外螺纹
Please user prepare external
thread check valve G1/2

用户自备角阀G1/2外螺纹
Please user prepare external
thread check valve G1/2

接感应龙头
Connect Sensor Faucet

墙面
Wall

墙面
Wall

进热水
hot

恒温阀
thermostatic valve

进冷水
cold

MIN 50mm

注：三通、角阀请用户自备。

Note: Please let users prepare the tee and check valve
by themselves.

安装结果检查

INSTALLATION CHECKOUT

检查并确保所有衔接处都已拧紧，打开排水系统和主要供水源，检查并修理有漏水的接口。

Check and ensure that all connections are tight. Open the drain. Turn on main water supply and check for leaks. Replace as required.

清理说明

CLEANING INSTRUCTIONS

适用于所有加工处理过的表面，以中性肥皂水清洗镀层表面，再以干净的软布彻底擦干整个表面。许多清洁剂，比如氨水，去污粉及洁厕灵等，会对电镀表面造成伤害，切忌使用。

All Finishes: Clean the finish with a mild soap and warm water. Wipe entire surface completely dry with a clean soft cloth. Many cleaners may contain chemicals, such as ammonia, chlorine, toilet cleaner etc. which could adversely affect the finish and are not recommended for cleaning.

有腐蚀性的清洁剂或溶剂不可使用于科勒的水龙头及其配件上。

Do not use abrasive cleaners or solvents on Kohler faucets and fittings.

用户须知

IMPORTANT CONSUMER INFORMATION

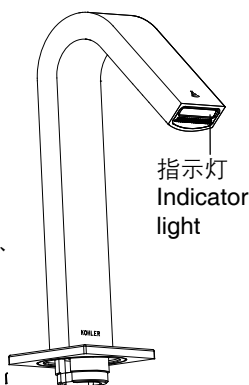
1. 感应指示灯的各种闪烁情况

感应指示灯是使用者了解感应龙头有效、唯一的途径。所以明白了感应指示灯闪烁所代表的含义，可以正确使用感应龙头，如图示：

(1) 快速闪烁，代表感应龙头正处于通电后的两分钟自动调节阶段。期间，安装者、使用者不得干扰其自动调节，感应范围内不要放置物体。

(2) 间隔约2秒钟连续闪烁：若直流感应龙头，代表龙头电池耗尽，已停止工作，等待使用者更换电池；若交流感应龙头，表示为两种情况：一种为刚刚停电；另一种为在交流供电正常的情况下，则电源盒直流接线端接触不良。

(3) 在正常工作情况下，当有物体被感应时，龙头出水，感应指示灯闪烁一次。（龙头关闭，感应指示灯不闪烁。）



1. Note of the Indicator Flashing

The indicator is the only and effective way to learn the faucet's working conditions. So the users can use the sensor faucet correctly with knowing the meaning of the sensor indicator's flashing.

(1) Fast flashing means the faucet is in the period of adjusting sensing distance after power on for 2 minutes. During these 2 minutes, please do not put objects in the sensing range.

(2) The indicator flashes every 2 seconds: As for DC type faucets, the symptom indicates that the unit is out of battery and ceases working. Recommend to replace batteries. As for AC type faucets, there're two possibilities. One possibility is that the unit is out of battery while the other is that bad wire connection occurs to DC terminal of the power box provided AC supply functions normally.

(3) In normal condition, the water will flow and the indicator will flash one time when objects are inducted. (The indicator does not flash when faucet stops flowing.)

2. 超时出水控制

连续在感应状态下使用约一分钟，龙头自动止水。自动止水后，手或物体离开感应范围后，再次进入感应范围内，龙头正常工作，否则无反应。

2. Overtime Flowing Control

When the faucet works for about 1 minute continuously, the water will be shut off automatically. After that, objects must be removed from the sensing range. Then the water will flow when objects go into the sensing range again. Otherwise, the faucet will not work.

3. 自动止水智能控制

物体进入感应范围内被感知，龙头自动出水。若15秒钟静止不动，水龙头自动止水。自动止水后，手或物体离开感应范围后，再次进入感应范围内，水龙头正常工作，否则无反应。

3. Intelligent Stopping Flowing

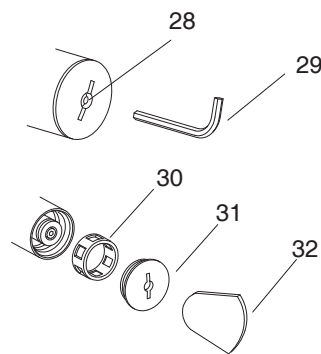
Water will flow out when object are putted into the sensing range. If the objects hold still for 15 seconds, the faucet will shut off automatically. After that, objects must be removed from the sensing range. Then the water will flow when objects go into the sensing range again. Otherwise, the faucet will not work.

4. 清洗过滤系统

该感应龙头的阀体组件内已包含了优良的过滤装置。如管内杂质过多或水质较差，长期使用会引起出水情况不良。请按以下步骤清洗过滤装置：

- 1) 用内六角扳手(29)顺时针方向拧紧阀体组件调节螺栓(28)，关闭阀体组件；
- 2) 用专用滤网钥匙(32)逆时针方向旋下阀体组件固定螺帽(31)；
- 3) 取出滤网(30)，冲洗完毕后重新装入；
- 4) 用专用滤网钥匙(32)顺时针方向拧紧阀体组件固定螺帽(31)，再用内六角扳手(29)逆时针方向打开阀体组件的固定螺栓(28)即可。从而改善出水情况。

注意：在清洗完滤网后，必须把滤网装上。



4. Clean the Filtration System

The faucet includes connector assembly with high quality filtration system. If there is a lot of debris in the supply pipes or the quality of water is bad, it will cause the flow in bad condition. Please clean the filtration system as following steps:

- 1) Turn clockwise the adjustment bolts (28) on the connector assemblies with the hex wrench (29), in order to close the connector assemblies;
 - 2) Screw off the connector caps (31) counterclockwise with the special key (32);
 - 3) Remove and clean the filters (30), then reinstall them;
 - 4) Tighten the connector caps (31) clockwise with the special key (32). Turn counterclockwise the adjustment bolts (28) on connector assemblies with the hex wrench (29).
- If necessary, then reinstall it to improve the flow condition.

Note: the strainer must be fit back to the spout after it is cleaned.

常见故障排除

以下部分故障现象可通过指示灯闪烁情况识别。（参考“感应指示灯的各种闪烁情况”）

现象	原因	处理方法
不出水 (感应指示灯不闪烁)	无电池或电池装反(直流电) 无电源或接线有误(交流电) 感应范围内有其它物体 感应窗口较脏 接线端未插好、插错	检查电池 检查总电源和接线情况 移开物体 清洁窗口 检查接线端
感应指示灯每2秒快速 闪烁1次而不出水	电池耗尽(直流电) 刚刚停电(交流电) 直流或交流接线端接触不良(交流电)	更换电池 检查总电源 重新连接接插件
感应指示灯闪烁 不出水	刚装机完毕 阀体组件或角阀关闭 过滤装置堵塞 节流器堵塞	等待 2分钟 打开阀体组件或角阀 清洗过滤装置 清洗节流器
感应指示灯闪烁 出水量小	阀体组件或角阀是否彻底打开 节流器堵塞 过滤装置堵塞 水压太低	用内六角扳手逆时针旋转阀体组件 的调节螺栓或角阀 清洗节流器 清洗过滤装置 检查供水系统
约1分钟以内不止水 (感应指示灯不闪烁)	感应范围内有物体	移开物体

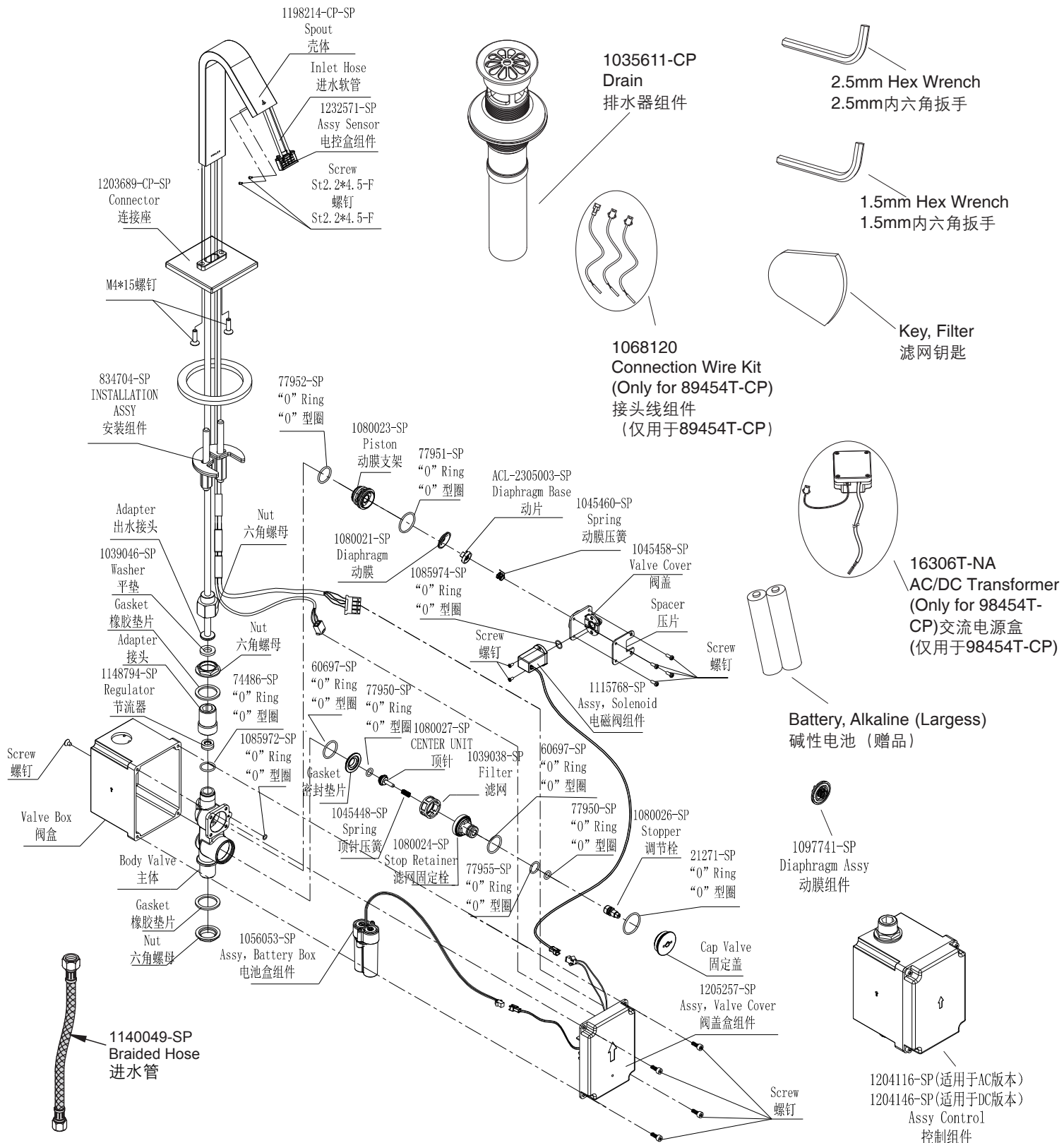
如按以上操作仍未解除故障，请与销售商或科勒(中国)投资有限公司联系。
除安装更换电池外，请勿随意拆卸龙头其它部件。

TROUBLE SHOOTING

Some trouble symptoms can be identified by the indicator's flashing. (Refer to "Note of the Indicator Flashing")

Symptoms	Probable Causes	Corrective Action
No water flow (Indicator not flashing)	No battery or wrongly connected No power supply or wrong connection Object in sensing range Dirt on the sensing window The connector does not connect well	Check the batteries Check the power supply and the connction Remove the object Clean the sensing window Check the connector
The indicator flashes once every 2 seconds and the water doesn't flow out.	Batteries are out of power Just power cut DC or AC connector of AC/DC transformer may not connect well	Replace batteries Check the power supply Reconnect the connector
No water flow while the indicator flashes	Just finishing installation The connector assemblies are closed The filter is blocked The regulator is blocked	Wait for 2 minutes Open the connector assemblies Clean filter Clean regulator
Low water flow while the indicator does not flash	The connector assemblies are not open completely The regulator is blocked The filter is blocked The supply water pressure is lower	Turn counterclockwise the adjustment bolts on connector assemblies with the hex wrench Clean regulator Clean filter Check the water supply system
Keep water out within 1 minute while indicator does not flash	Object in sensing range	Remove object

Please contact with distributor or Kohler China Investment Co., Ltd., if the trouble remains after above-mentioned actions are taken.
Please do not disassembly the other parts of the faucet freely except installing and replacing batteries.



© 版权为科勒中国有限公司所有, 2013

© Copyright Kohler China Ltd., 2013

上海科勒电子科技有限公司
中国上海浦东新区金滇路18号E幢 邮编: 201206