

INSTALLATION INSTRUCTIONS

Original Issue Date: **2/25**

Model: **6-60 kW Residential Generator Sets equipped with RDC2 Controller**

Market: **Residential/Commercial**

Subject: **Cellular Kit, GM123330-KP1-QS**

Introduction

The cellular kit allows residential/light commercial generator sets to connect to cellular service and communicate with the KOHLER Energy Management System.

The cellular router is factory-set and tested. No programming or setup is required in the field.

The kit includes 1 year data plan only for generator connectivity. In the event homeowners decide to connect any other devices to the Kohler Cellular Kit, Discovery Energy LLC is not responsible for faster data usage.

Note:

Due to various mounting applications, self-tapping screws (not provided in kit) are recommended for mounting the brackets.

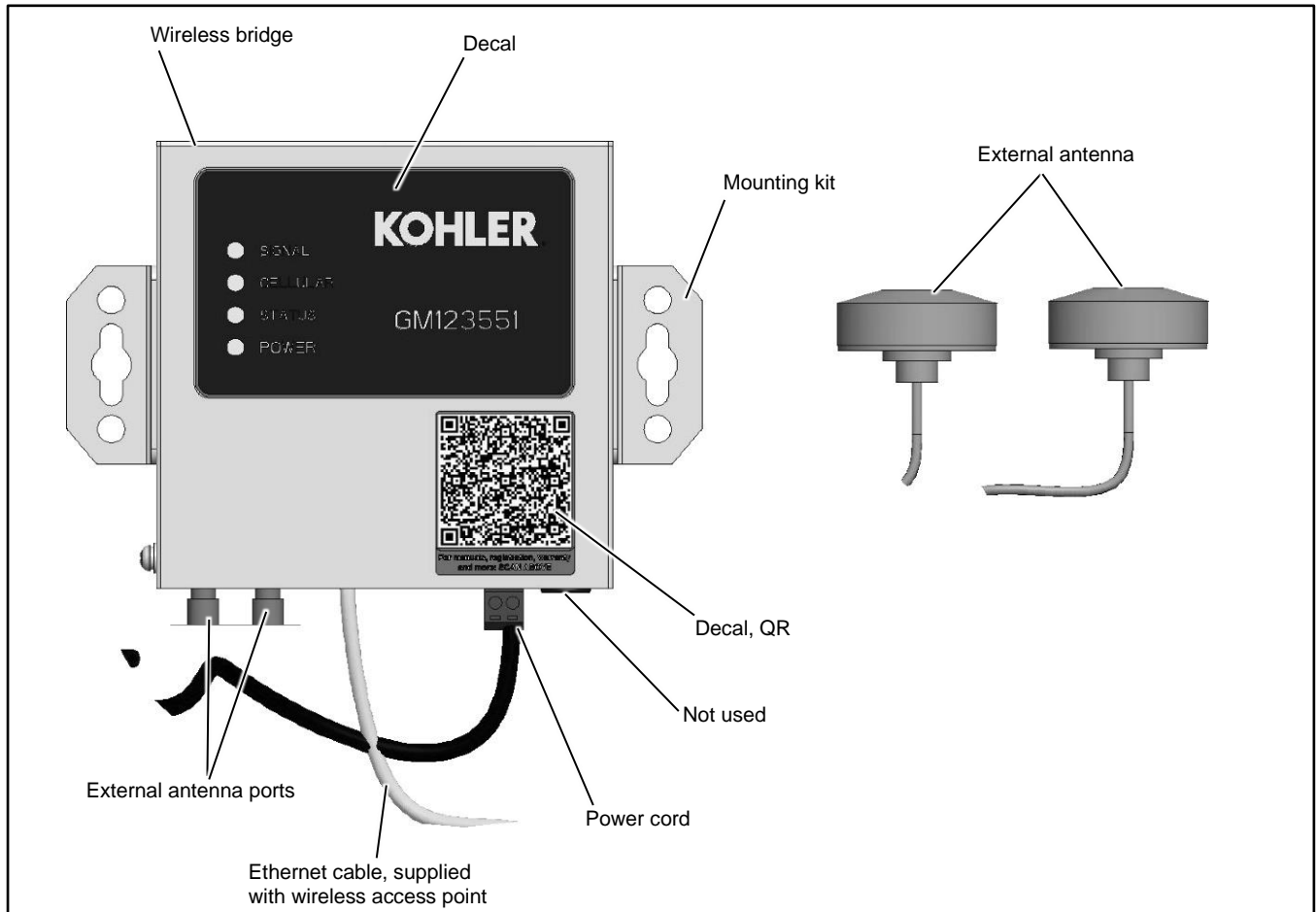






Figure 1 Cellular Kit, Identification



Safety Precautions

Observe the following safety precautions while installing the kit.

 WARNING	Accidental starting. Can cause severe injury or death. Disconnect the battery cables before working on the generator set. Remove the negative (-) lead first when disconnecting the battery. Reconnect the negative (-) lead last when reconnecting the battery.
	

Disabling the generator set. Accidental starting can cause severe injury or death. Before working on the generator set or equipment connected to the set, disable the generator set as follows: (1) Press the generator set off/reset button to shut down the generator set. (2) Disconnect the power to the battery charger, if equipped. (3) Remove the battery cables, negative (-) lead first. Reconnect the negative (-) lead last when reconnecting the battery. Follow these precautions to prevent the starting of the generator set by the remote start/stop switch.

 DANGER	Hazardous voltage. Moving parts. Will cause severe injury or death. Operate the generator set only when all guards and electrical enclosures are in place.
	

 DANGER	Hazardous voltage. Will cause severe injury or death. Disconnect all power sources before opening the enclosure.
	

1 Installation Procedure

1.1 At the Generator

1.1.1 Remove the Generator Set from Service

1. Press the OFF/RESET button on the generator set controller.
2. Press the Emergency Stop (E-Stop) or Prime Mover Shutdown button on the generator set, if equipped.
3. Disconnect AC power to the generator set by opening the upstream circuit breaker (typically located in the customer's distribution box or inside the transfer switch enclosure).
4. Disconnect the generator set engine starting battery, negative (-) lead first.
5. Disconnect the generator set from load by opening the line circuit breaker.

1.1.2 Install the Cellular Kit

1. Remove enclosure doors and/or panels as necessary to access the air intake area or the engine compartment (RCL models). See the installation diagrams in the next section.
2. Mount the wireless access point using either the DIN-Rail or wall hanging method. The recommended mounting locations on the generator set model are shown in the drawings of the Installation Diagrams section.
3. Mount external antennas. 0.5 in holes will need to be drilled. The recommended mounting locations on the generator set model are shown in the drawings of the Installation Diagrams section.
4. Route and connect antennas to the wireless access point. The recommended routing of wires on the generator set model are shown in the drawings of the Installation Diagrams section.
5. Remove two screws from the generator controller to access the back of the controller.
6. Connect the Ethernet cable directly to the connector P6 on the back of the controller. See the Connection Diagrams section.
7. Route and connect the Ethernet cable to the WAN/LAN1 port on the wireless access point. See the Connection Diagrams section.
8. Attach the generator controller with two screws.
9. Route and connect the DC power harness to the wireless access point. See the Connection Diagrams section.
10. Connect the ring terminals on the DC power harness to the generator set battery cables. Ensure the wires are connected to the correct battery polarity terminal.
11. Allow a few minutes for cellular service to be obtained.
12. Restore the generator set to service and check operation by logging into the KOHLER Energy Management app to verify generator set is communicating.

1.1.3 Restore the Generator Set to Service

1. Check that the Emergency Stop button or Prime Mover Shutdown (if equipped) is activated.
2. Reconnect the generator set engine starting battery, negative (–) lead last.
3. Reconnect the AC power to the generator set by closing the upstream circuit breaker (typically located in the customer's distribution box or inside the transfer switch enclosure).
4. Reconnect the generator set to load by closing the line circuit breaker.
5. Reset the Emergency Stop or Prime Mover button (if equipped).
6. Clear the Emergency Stop fault on the controller.
7. Return the generator set to normal operation by pressing the generator set master control AUTO or RUN button, as required.

1.2 Installation Drawings

The drawings on the following pages show suggested locations for installation of the cellular kit on residential generator set models.

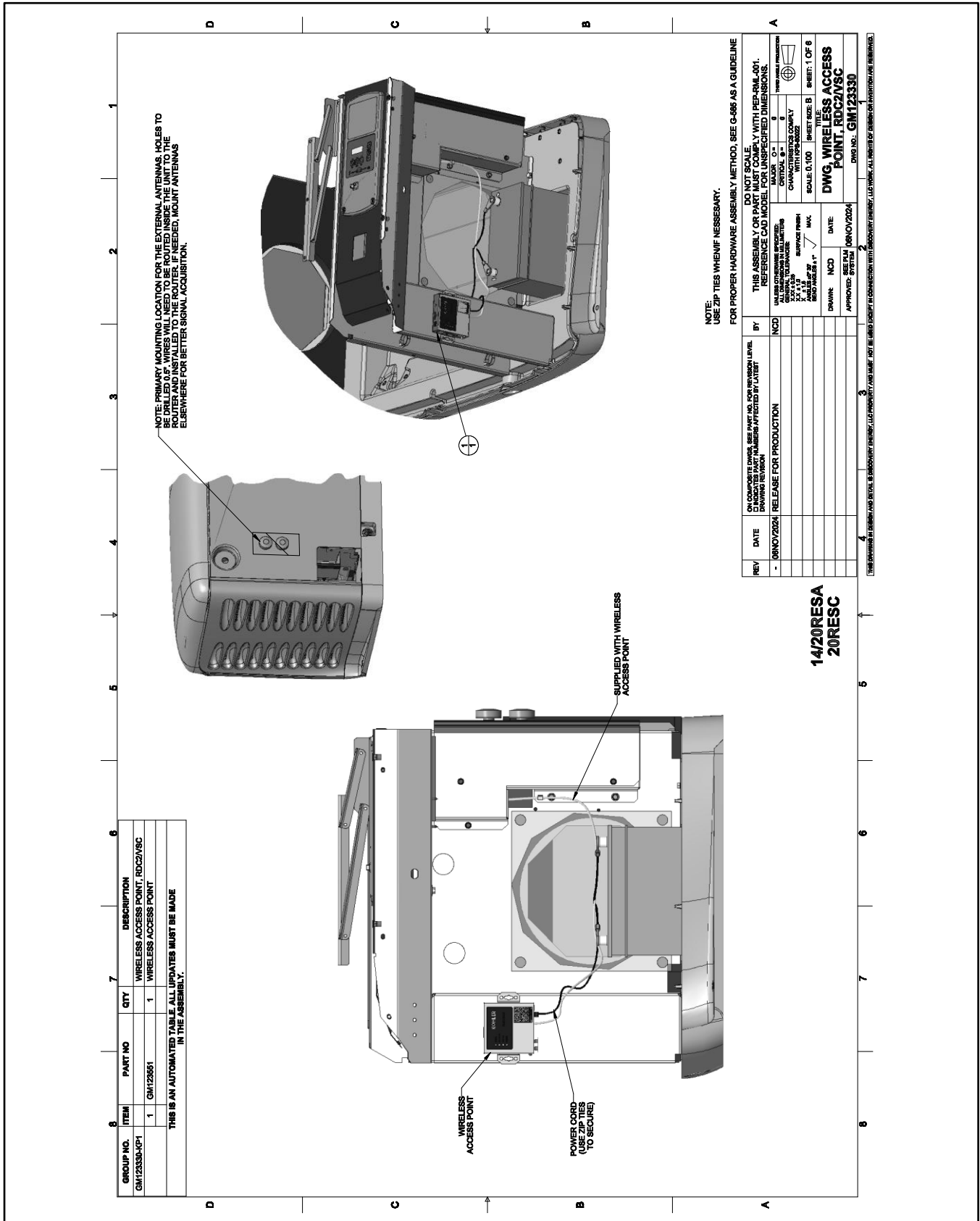


Figure 2 Installation on 14/20RESA and 20 RESC

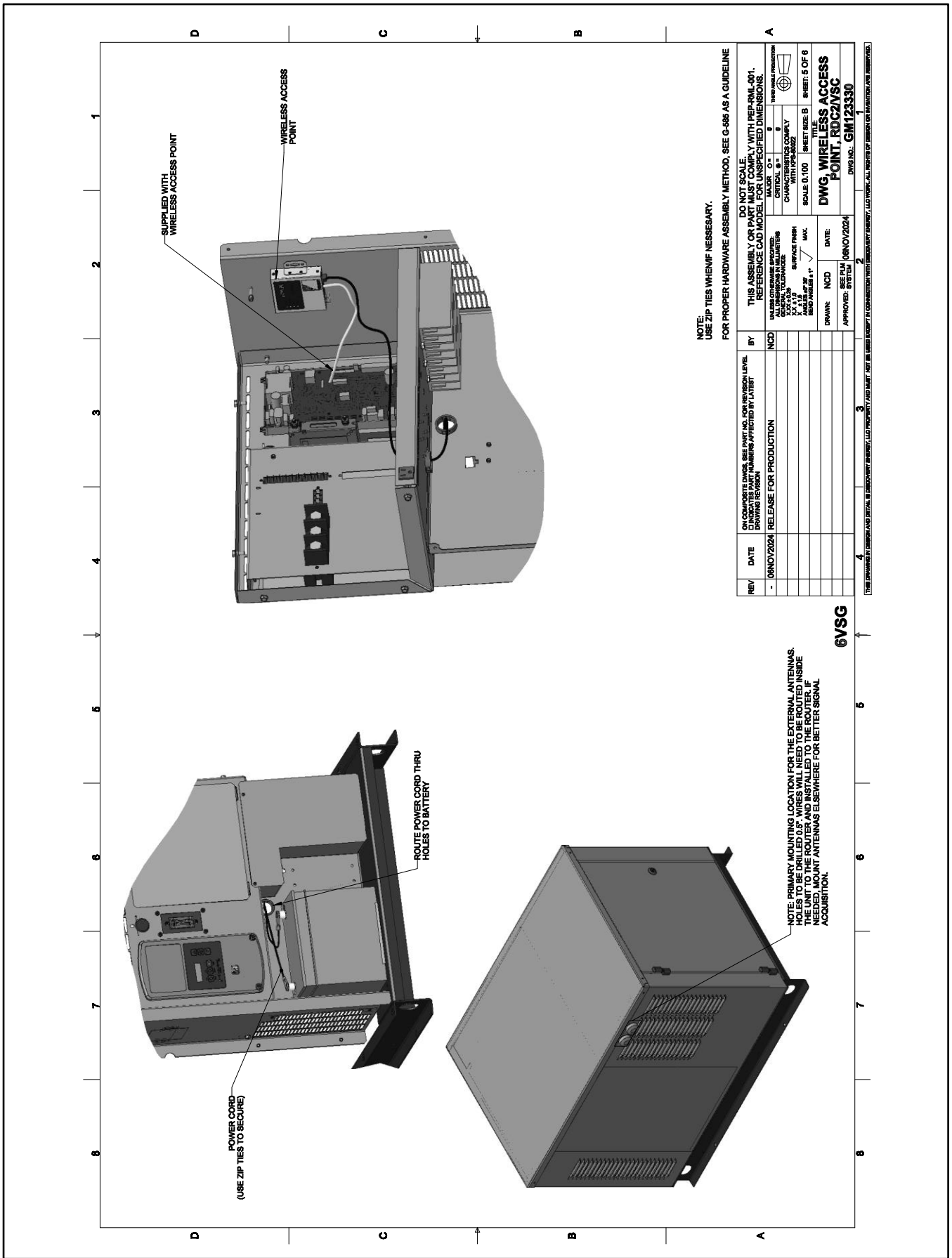


Figure 6 Installation on 6VSG

1.3 Connection Diagrams

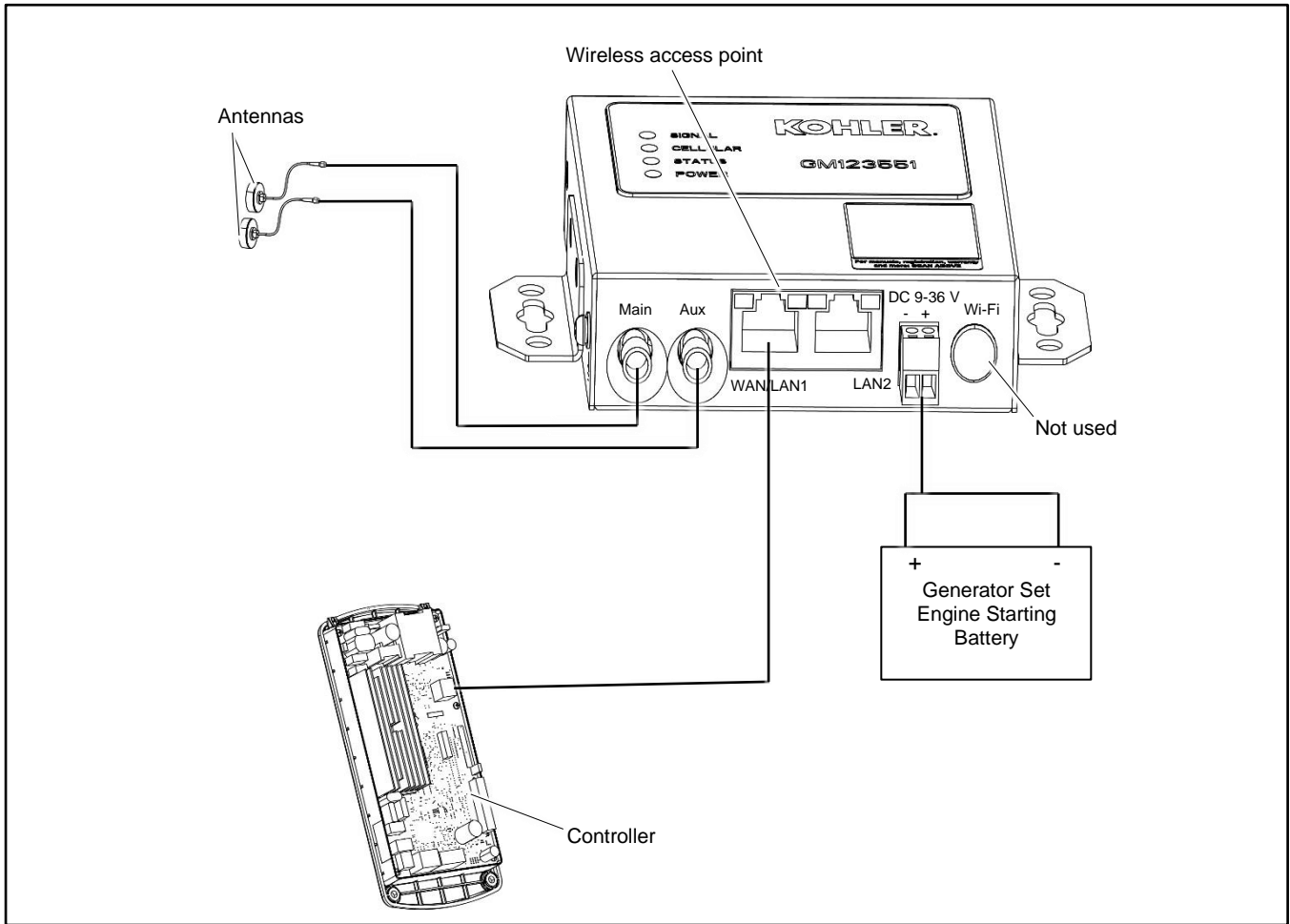


Figure 8 Cellular Kit Connection to Generator Set

Parts List

Kit: GM123330-KP1-QS		
Qty.	Description	Part Number
1	Wireless Access Point	GM123551
1	Installation Instructions	TT-1823



Discovery Energy, LLC
200 Twin Oaks Road, Kohler, WI 53044 USA
For the nearest sales and service outlet in
the US and Canada, phone 1-800-544-2444
KOHLEREnergy.com

Availability is subject to change without notice. Discovery Energy, LLC reserves the right to change the design or specifications without notice and without any obligation or liability whatsoever. Contact your local authorized generator set distributor for availability.

© 2025 Discovery Energy, LLC - All rights reserved.